

Precise control for a combination of pellets, flakes and liquids



For injection & blow molders, extrusion lines and central blending.

WSB 1200 Series

The WSB 1200 series is designed to offer highly flexible, yet modular solutions to larger throughput applications. The WSB 1200 series is particularly suited where the combination of pellets, powders, flakes, liquids and other challenging materials need precise control, and is able to blend up to 12 components. High flow dispense valve rated at 11,000 grams/second.

Precision Dosing

The system incorporates a range of pneumatic valve hoppers, feeders and pumps that ensure dosing precision to the highest level.

Wide Range Of Settings

Each free-flowing material is dosed by a vertical valve or corner valve. The corner valve is especially suited for regrind or flake materials with a low bulk material density. Both valve types are capable of dosing a wide range of settings, from as little as 1% to 100%.

Keep Poor Flowing Materials Moving

For poor flowing materials, such as wood flour and talc fillers, an auger feeder with internal agitator is available to keep material flowing.

Large Blender Throughput Capacity

The maximum theoretical throughput of the WSB 1260 is 4,500 lbs/hr (2,040 kg/hr), and the maximum theoretical throughput of the WSB 1240 is 5,400 lbs/hr (2,450 kg/hr). Although the blender is capable of dosing up to 12 components, the greater the number of components, the lower the throughput capacity.

Batch Size

The hoppers and augers are mounted above the weigh bin with a default 26 lb (12 kg) batch size.

High Consistent Accuracy

On every material within $\pm 0.1\%$ on a 1% setting.

Sequential Dispensing

The system tares the weight of the weigh bin and then each material is dispensed – regrind, natural, color and additive – in sequence to ensure accurate dispenses of every material within the blend.

Homogenous Mix

A complete batch is released into the mixing chamber and mixed with the previous batch to ensure a homogenous mix.

Control Of The Mix

Material blending is controlled by a level sensor mounted in the upper part of the mix chamber to retain accurate mixing. When the sensor is covered, the blender will not dispense any further batches.



Easy Set Up

Settings are made easily by either user friendly thumbwheels or entering settings directly on the keypad / optional touchscreen.

Password Protection

Special functions can be easily accessed and set via the password protect key.

Audible And Visual Alarms

An audible and visual alarm sounds should a batch be incomplete.

Reporting

Setup and operation reports can be printed direct to a USB key. Alternatively, data is also available via Ethernet or serial ports allowing remote access and monitoring.

Integration

Integration to other control or ERP systems can be made via leading Fieldbus or OPC interfaces.

Quick Cleanout

A compressed air gun is provided for quick cleanout.

Rapid Color Change

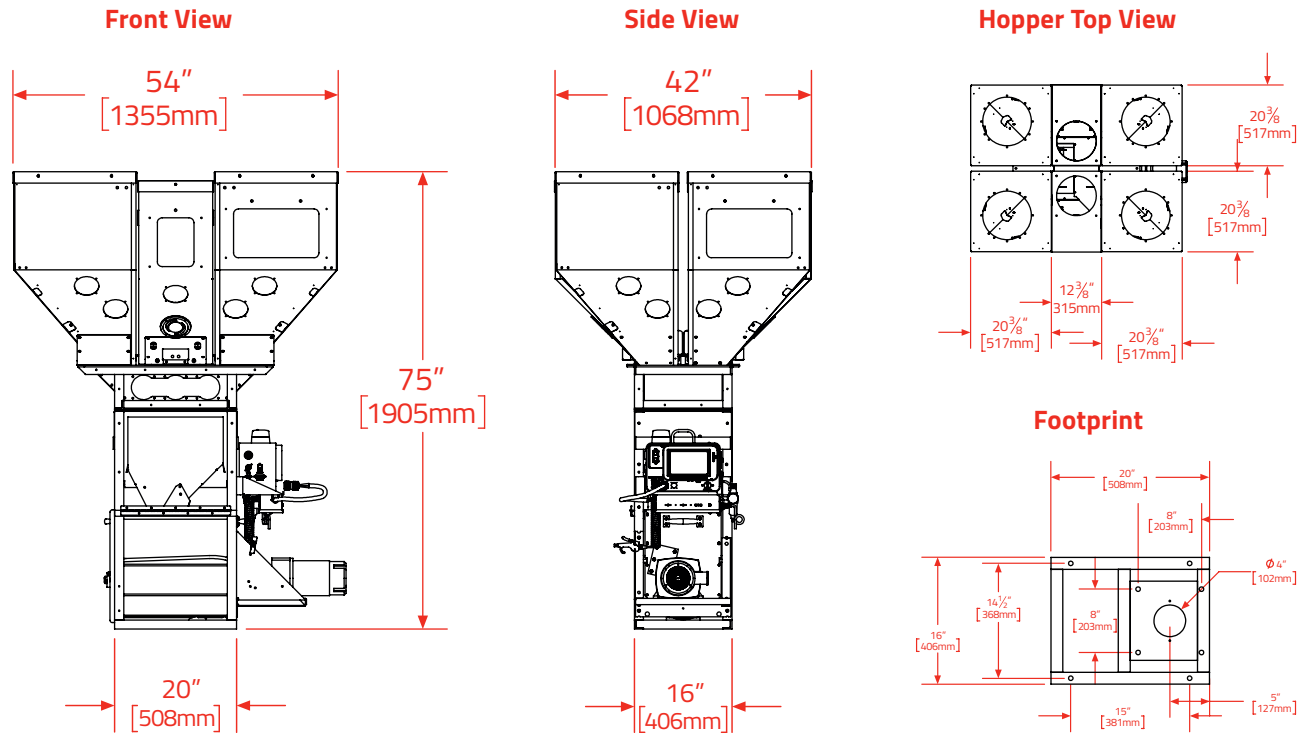
Easy access to all material contact surfaces of the machine including hoppers, weigh bin and mixing chamber, allows for rapid color changes without the use of tools.

Controller

The Maguire controller monitors and confirms the weight of each material and comes with an optional touchscreen.

WSB 1260 Gravimetric Blender Dimensions

Our WSB 1200 series blenders are always custom built with hoppers sized according to your requirements. The following drawing is an example of this series for reference only.

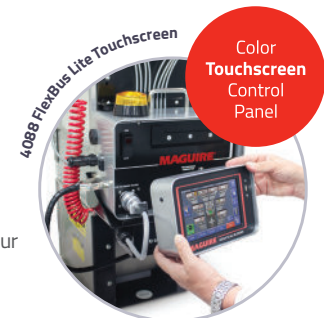


Technical Data

Model WSB 1260	
Throughput Range*	907 kg/hr to 2,040 kg/hr 2,000 lb/hr to 4,500 lb/hr
Number of Materials	12
Material Dispense Systems	High flow corner valve 2" or 4" vertical valve 3" dia auger feeder
Weight	320-630 kg, 700-1,386 lb
Power Supply	230/3/60 - 2.0 amp 480/3/60 - 1.0 amp 400/3/50 - 3.1 amp
Operating Air Pressure	6 bar, 80 psi
Air Consumption	0.3 m ³ /hr 0.17cfm
Shipping Weight	350-660 kg, 765-1,450 lb
H x W x D (base unit only as an example)	75 x 54 x 42 in 193 x 147 x 106 cm

Key Features:

- Base unit with multiple hopper / feeder configurations and choices
- For large injection & blow molders, extrusion lines, central blending
- Ideal specialist dosing designs for low density / poor flow materials like regrind / flake / wood flour
- Reduced weight and footprint
- Overall precision of ±0.1% of specified blend
- Wide choice of add on feeders for specialist dosing applications
- Easy access to all material contact surfaces of the machine including hoppers, weigh bin, and mixing chamber permits rapid color change without the use of tools
- Microprocessor control technology monitors and confirms the weight of each material
- Touchscreen/FlexBus Lite controller option available
- Vibration weighing management
- Improved documentation capabilities
- 5 Year Warranty



*Throughput ranges are determined by the number of materials, flow characteristics, bulk density and process instillation.

Maguire reserves the right to cancel product or change product, product specifications and data without notice to improve reliability, function, design or otherwise.



[@MaguireProducts](#) | [in Maguire-Products](#) | [MaguireProducts](#) | info@maguire.com | www.maguire.com

USA Toll Free: +1 888 459 2412 | CANADA: +1 905 879 1100 | EUROPE: +44 1827 338 280 | ASIA: +65 68487117 | IMEA: +971 4 881 6700 | TAIWAN: +886 4 2658 1535