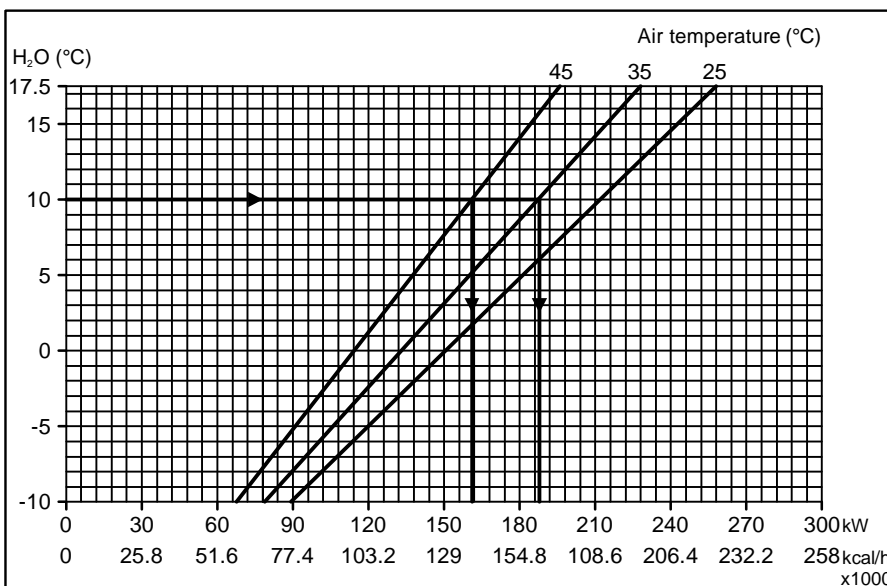
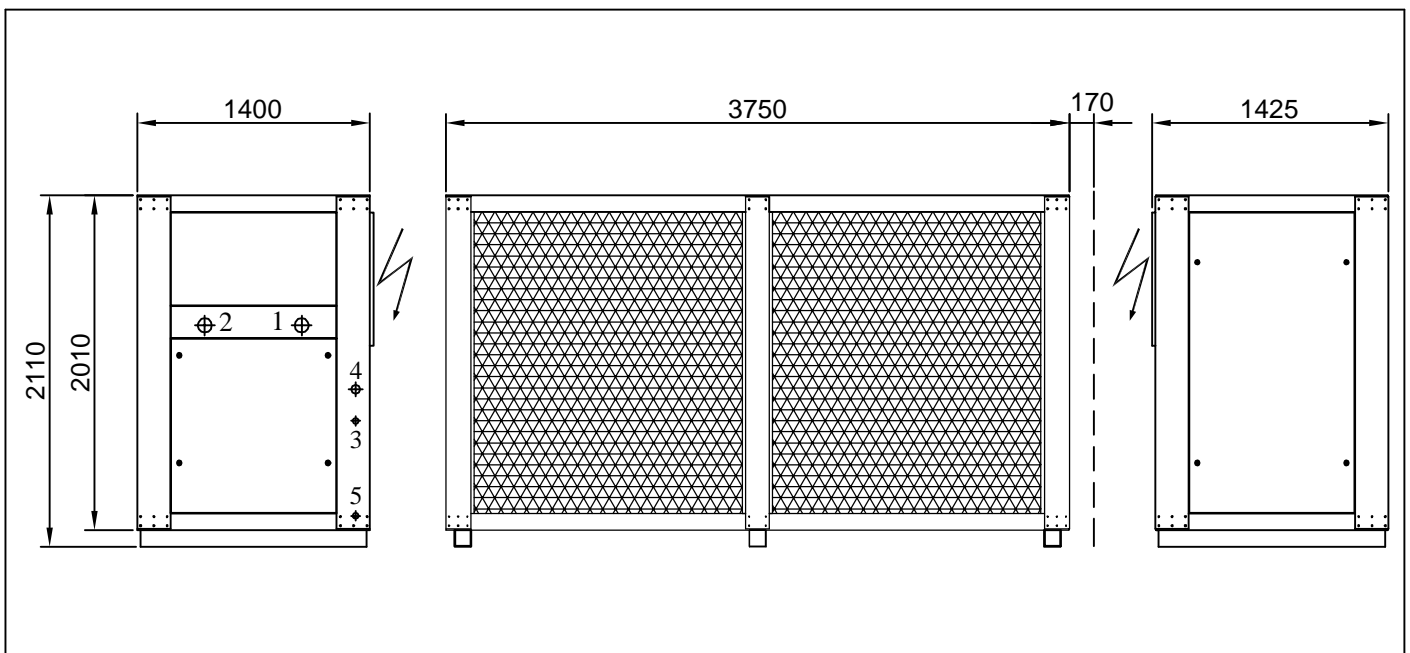


Nominal cooling capacity			Duty kW/kW	Compressor power			Pump power kW running/startup	Pump flow			Pump pressure		
T[°C]	kW	kcal/h		n°	kW running	kW startup		min.	l/min nom.	max.	max. bar	nom. bar	min.
+10/+35	186	160000	3.6	2x	25.9	35.7	6.2/7.5	500	690	1.350	3.8	3.7	1.9
+10/+45	160	137600	2.5	2x	31.7	35.7							

Fan power		Fan flow rate m³/h	Noise level		Tank litres	Net weight kg	Packaging dimensions mm	Packaging weight kg
n°	kW running/startup		UNI 7712 dB(A)					
			1m	10m				
4x	1.8/2.0	65000	77	57	600	1850	4150x1650x2300h	600



1	Delivery	Ø3"
2	Return	Ø3"
3	Fill up	Ø1/2"
4	Glycol inlet	Ø1"
	Internal discharge	Ø1/2"

Total electric power	running	77.3 kW	Max. Current	A	Circuit Breaker	A	R407C Refrigerant Fill-up	kg
	startup	87.4 kW		143		200		36

FLEMING CHILLERS RESERVE THE RIGHT TO MODIFY THE DATA OF THIS TECHNICAL CARD IN ANY TIME, WITHOUT PRIOR NOTICE.

415V - 3 - 50Hz	
08.05.15	P190639.00