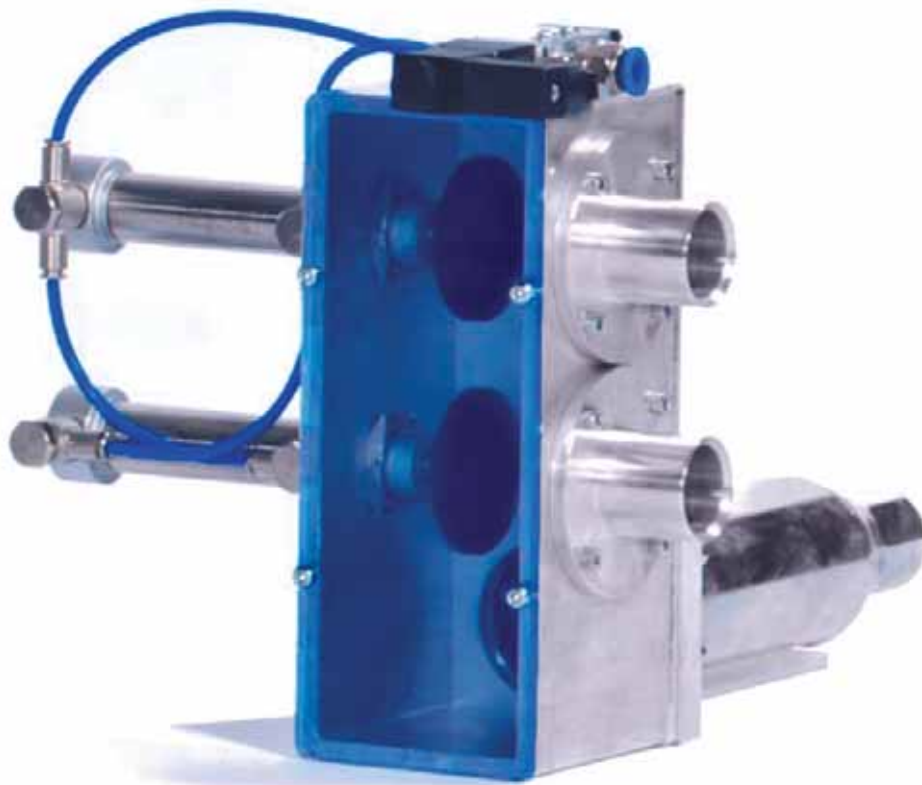


Ratio-Selector

RS 2000



Ratio-Selector RS 2000

Adjustable, 2-Way Proportioning Valve for Hopper Loaders.

- Mixes materials by proportional mixing
- Easily mounted to hopper loader
- Adjustable suction time
- Simple mixing technique for regrind usage

Standard Equipment

Mixing valve
Control panel
Material inlet Ø 50 mm

Accessories

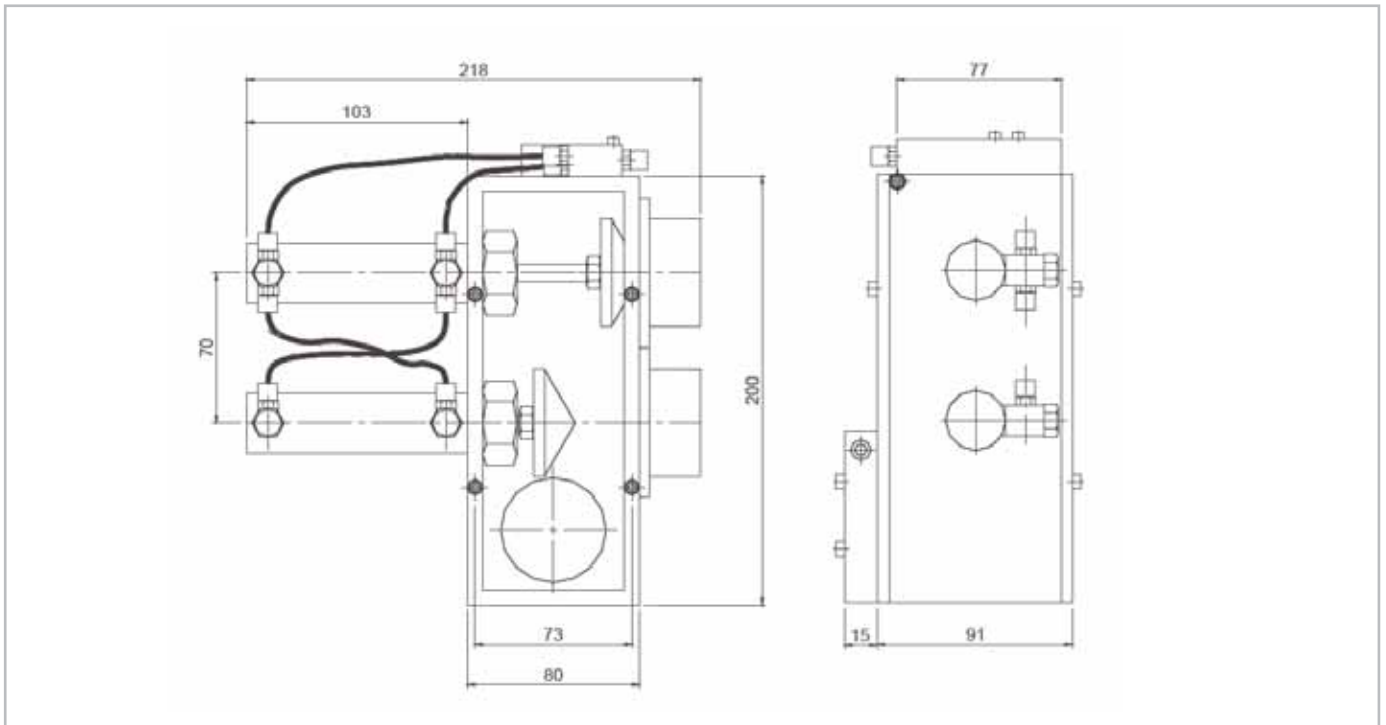
Stainless steel suction probe
Suction probe, electroplated



Electric control - easy and simple to operate.

Order No.	Description
100970	RS 2000, incl. control
101250	RS 2000, for Mini-Feed 15-30-60
130781	RS 2000, for PGT/SVR
Optional Material Inlet	
406443	Material inlet Ø 50 mm
406442	Material inlet Ø 44.5 mm
406441	Material inlet Ø 38 mm
406440	Material inlet Ø 32 mm

Dimensional Sketch RS 2000



Labotek A/S

Stroebjergvej 29, DK-3600 Frederikssund
Tel +45 4821 8411 | Fax +45 4821 8000
info@labotek.dk | www.labotek.com

