

LCD - SERIES

Labotek Compressed Air Dryer
Drying of plastic materials



LCD - Labotek Compressed Air Dryer

Introduction

Labotek A/S offers a range of new compressed air dryers - the LCD dryer series - with a dew point down to -50°C . All models are designed to be machine mounted and for small-medium throughputs.

The electronic control panel allows easy programming via the internal data base of main materials, with the possibility of free implementation of the data by the operator.

The electronic control allows to modulate the flow of compressed air as a function of the hourly capacity and type of material which, in combination with the anti-stress system, automatically reduces the power consumption.

Standard features & advantages

- Lid for SVR/Mini-Feed
- Electronic control microprocessor-based with LCD display
- Continuous modulating system of the compressed air flow
- Daily-weekly timer
- Solid state relay control
- Antistress system
- Visual and acoustic alarm
- Compressed air filter

Optional features

- Supporting base
- Mobile frame with catchbox
- Wired remote control
- Dew point sensor only at new machines at request

LT no.

220242

103180

220240



The electronic control panel allows easy programming via the internal data base of main materials.



Supporting base for easy installation of dryer on machine throat, comprehensive of manual sliding gate and side discharge outlet for fast cleaning.



Wired remote control



Mobile frame

Technical specifications

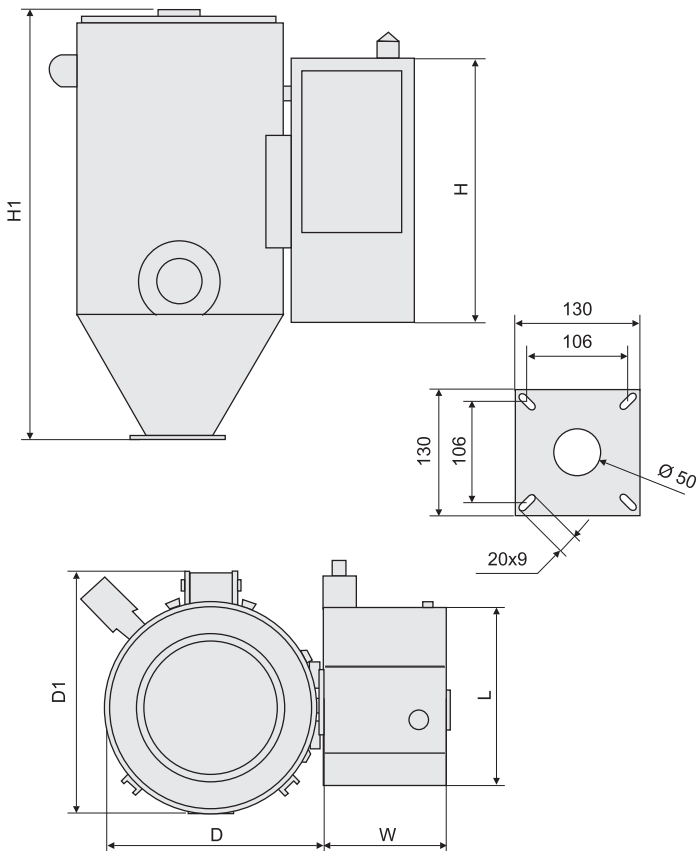
	LCD 5	LCD 15	LCD 30
Hopper volume l	5	15	30
Process airflow Nm ³ /h	5	10	15
Minimum dew point °C*	-50		
Heating power kW	0.45	0.45	0.95
Total installed power kW	0.5	0.5	1.0
Compressed air bar	Min. 7 bar		
Drying temp. range °C	+ 50 - 150		
Supply voltage	1 x 230 V / 50-60 Hz		
Weight kg	19	20	25
LT no.	101537	101538	101539

*) With compressed air 7 bar and dew point +5°C

Dimensions

Type LCD	5	15	30
D	238	274	334
D1	279	318	381
H	350	350	400
H1	415	572	707
W	163		
L	156	156	236

All measurements are in mm



Material

	LCD 5	LCD 15	LCD 30
ABS (extrusion grade)	0.9	2.8	5.5
ABS (molding grade)	1.4	4.1	8.3
PC - ABS blend	1.1	3.3	6.5
ASA	0.9	2.8	5.5
CA	1.8	5	7
CAB	1.4	4.1	7
CP	1.5	4.5	7
EPDM	0.9	2.8	5.5
EVA	0.8	2.5	5
EVOH	1.5	4.5	7
Ionomer (Surlyn)	1.3	3.8	7
LCP	1.5	4.5	9
PA	0.8	2.3	4.5
PAR	0.7	2.1	4.2
PBT	1.3	4	7.8
PC	1.8	5.3	7.8
PC CD	0.9	2.6	5.3
PC - PBT blend	1.3	3.8	7.5
PE black	2.5	7.5	14
PE black 3%	1.1	3.3	6.6
PE black 40%	0.8	2.3	4.5
PE cable	0.8	2.3	4.5
PEEK	1.3	4	7
PEI	0.9	2.8	5.6
PEN	0.9*	2.6*	5.1*
PES	1.3	4	8
PET	0.7*	2*	4*
PET	1.3	4	7.8
PETG	1	3	5.6
PI	1.8	5	7
PLA	1	3	5.6
PMMA	1.1	3.3	6.5
POM	2.1	5.9	8.2
PP	2.5	6.7	9.3
PP TV 40	1.6	4.9	7.8
PP - EPDM	1.6	4.9	7
PPA	1	3	6
PPO (or PPE)	1.4	4.1	8.3
PPS	2	6	9.3
PS	2.8	8.3	14
PUR	1.9	5	7
PUS	1.3	4	8
PVC	4.3	10	14
SAN	1.4	4.1	8.3
SB	3	6.7	9.3
TPC	1.8	5	7
TPE	1.2	3.5	7
TPU	1.8	5	7

*) Special version 170°C

**2 years
warranty**

Labotek offers 2 years warranty
- excluding wear parts

Labotek A/S
Stroebjergvej 29
DK-3600 Frederikssund

+45 4821 8411
info@labotek.dk
www.labotek.com

Representative