

Desiccant Dryer Mobile-VI
DDM-VI

Rev:
30.06.2014

Type: **DDM-VI 60-225**
From serial no.:

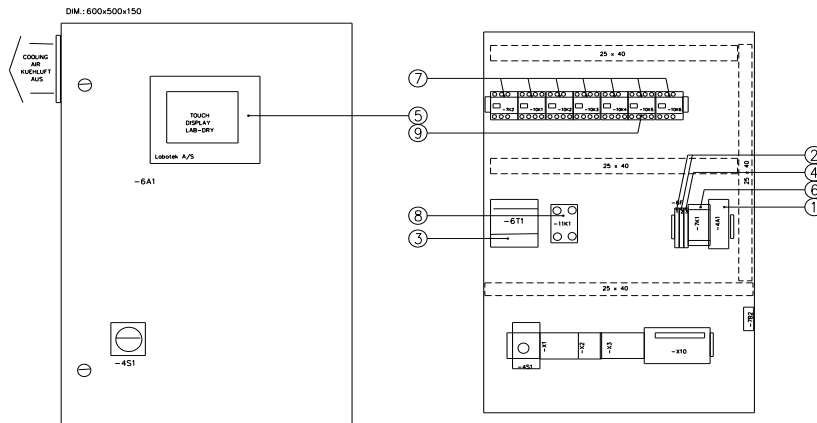
Contents

Go to	Control	Page 2
Go to	Blower LT3-I - LT5-I	Page 3
Go to	Valve arrangement	Page 4
Go to	Main parts	Page 5
Go to	Main parts	Page 6
Go to	Main parts	Page 7
Go to	Main parts	Page 8
Go to	Injektor parts	Page 9
Go to	Air separator	Page 10

Desiccant Dryer Mobile-VI
DDM-VI

Rev:
30.06.2014

Control



R2578_R00

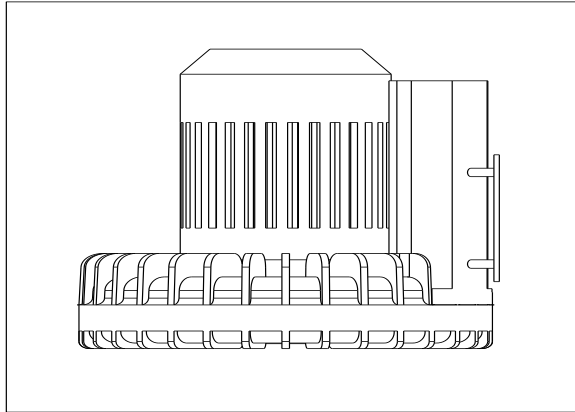
Pos	LT-no.:	Text	Qty	Unit
1	600750	Phase relay , 24V , M301 Phasenrelais , 24V , M301	1	pcs.
2	600801	Fuse , 1A/T , 5x20mm Sicherung , 1A/T , 5x20 mm	10	pcs.
3	600200	Transformer , 10V/15V/24V , 100VA Trafo , 10V/15V/24V , 100VA	1	pcs.
4	601967	Fuse , 4A/F , 5x20mm (10 pcs) Sicherung , 4A/F , 5x20mm	10	pcs.
5	601533	PCB ,Lab-Dry,universal,24VAC Platine , Lab-Dry,universal,24VAC	1	pcs.
6	600226	Unic Timer , 0-3 sec. , 24VAC Zeitrelais , 0-3 Sek. , 24VAC	1	pcs.
7	601480	Contactor , CI5-9,Mini. Schütz , CI5-9,Mini.	1	pcs.
8	601022	Solid State Relay , 35A/480V/5-32VDC Solid State Relais , 35A/480V/5-32VDC	1	pcs.
9	601483	Mechanical Interlock , CI5-9 Mechanische Sperre , CI5-9	1	pcs.

Desiccant Dryer Mobile-VI
DDM-VI

Rev:
30.06.2014

Blower LT3-I - LT5-I

LT From/to



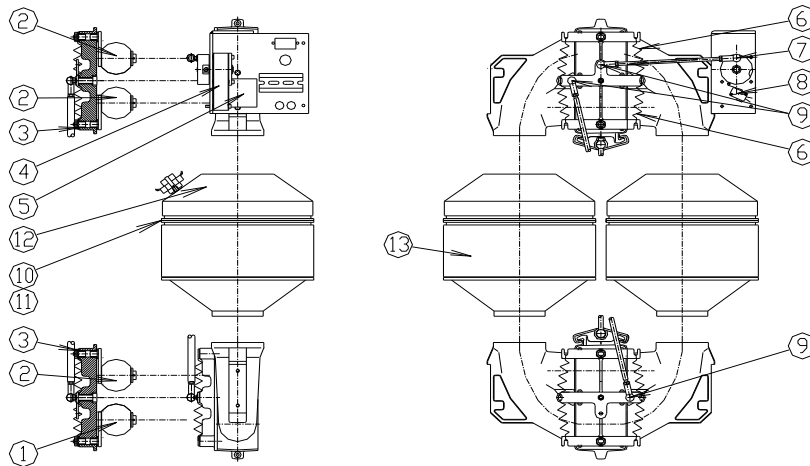
R2464

Pos	LT-no.:	Text	Qty	Unit
LT3-I	208886	Blower , LT3-I , 0,4kW Gebläse LT3-I , 0,4kW	1	pcs.
LT4-I	208887	Blower , LT4-I , 1,1kW Gebläse , LT4-I , 1,1kW	1	pcs.
LT5-I	208888	Blower , LT5-I , 1,3kW Gebläse , LT5-I , 1,3kW	1	pcs.

Desiccant Dryer Mobile-VI
DDM-VI

Rev:
30.06.2014

Valve arrangement



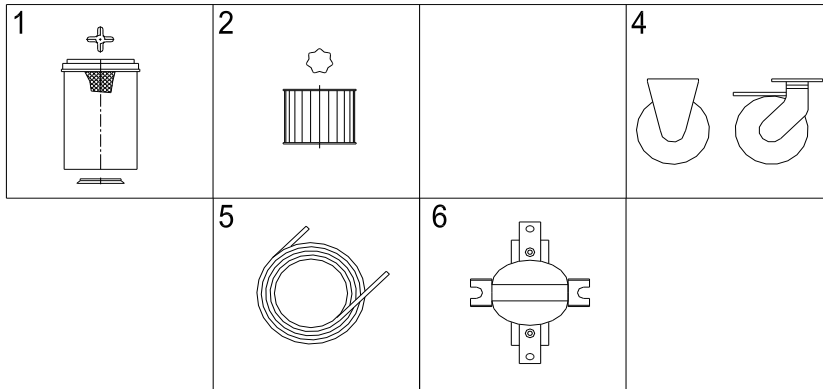
R1051

Pos	LT-no.:	Text	Qty	Unit
1	202896	Ball , valve , reg. , yellow Kugel , Ventil. , Reg. , gelb	1	pcs.
2	202897	Ball , valve , drying , black Kugel , Ventil , Trockn. , schwarz	3	pcs.
3	500204	Bearing, valve kit Lager, Ventilsatz	1	pcs.
4	500179	Gear f. motor, valve unit Getriebe f. Motor, Ventilsatz	1	pcs.
5	202902	Motor , valve unit , 50Hz Motor , Ventilsatz , 50Hz	1	pcs.
5	203067	Motor , valve unit , 60Hz Motor , Umschaltventil , 60Hz	1	pcs.
6	202895	Spring kit , valve assemb. , DDM-III Federsatz , Ventilsatz , DDM-III	1	pcs.
7	203534	Ball joint , Ø10 , left-handed thread Kugelgelenk , Ø10 , Linksgewinde	1	pcs.
8	635014	Micro-switch , 3A , 250V , VCFYR1 Mikroschalter , 3A , 250V , VCFYR1	1	pcs.
9	203533	Ball joint , Ø10 , right-handed thread Kugelgelenk , Ø10 , Rechtsgewinde	1	pcs.
10	406098	Tightening Ring, valve unit Spannband, Ventilsatz DDM	1	pcs.
11	406099	Seal, valve unit DDM Dichtung MS-Behälter DDM	1	pcs.
12	203582	Heater , 3500W , 400V , reg. Heizung , 3500W , 400V , Reg.	1	pcs.
13	202929	Desiccant bed , DDM60-III/DFD 50 MS-Behälter , DDM60-III/DFD 50	1	pcs.
13	202930	Desiccant bed DDM120-3/DFD 100 MS-Behälter DDM120-3/DFD 100	1	pcs.
13	202931	Desiccant bed DDM180-3/DFD 150 MS-Behälter DDM180-3/DFD 150	1	pcs.

Desiccant Dryer Mobile-VI
DDM-VI

Rev:
30.06.2014

Main parts



R1050

Pos	LT-no.:	Text	Qty	Unit
1	500469	Filter , DDM, 1056-U / AFA502-U	1	pcs.
1	202344	Filter , DDM, 1056-U / AFA502-U Cartridgefilter + TPEL gasket	1	pcs.
1	320683	Patronenfilter + TPEL Dichtung Sealing ring , TPEL , DDM	1	pcs.
1	501228	Dichtung , TPEL , DDM Star handle , M8	1	pcs.
2	501536	Sterngriff , M8 Cartridge filter , AG192	1	pcs.
2	501229	Patronenfilter , AG192 Star handle , M6	1	pcs.
4	501923	Sterngriff , M6 Castor , fixed , 519PL, black	1	pcs.
4	501924	Bockrolle, Rad, fest , 519PL, schwarz Castor , turnable , 511, black	1	pcs.
5	501595	Lenkrolle , Rad , beweglich , 511, Silicone seal , Ø2x6mm , per mtr.	1	pcs.
6	600484	Silikondichtung , Ø2x6mm , pro Meter Thermistor , 250°C , 49T21	1	pcs.

Labotek spare parts

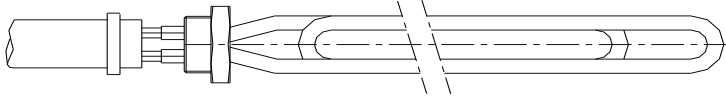


LT-no.:

Desiccant Dryer Mobile-VI
DDM-VI

Rev:
30.06.2014

Main parts



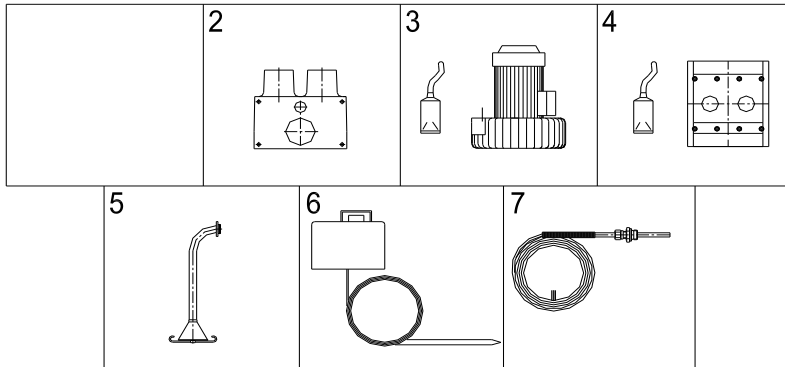
R2342_R00

Pos	LT-no.:	Text	Qty	Unit
	208860	Heater , 3500W , 400V Heizung , 3500W , 400V	1	pcs.

Desiccant Dryer Mobile-VI
DDM-VI

Rev:
30.06.2014

Main parts



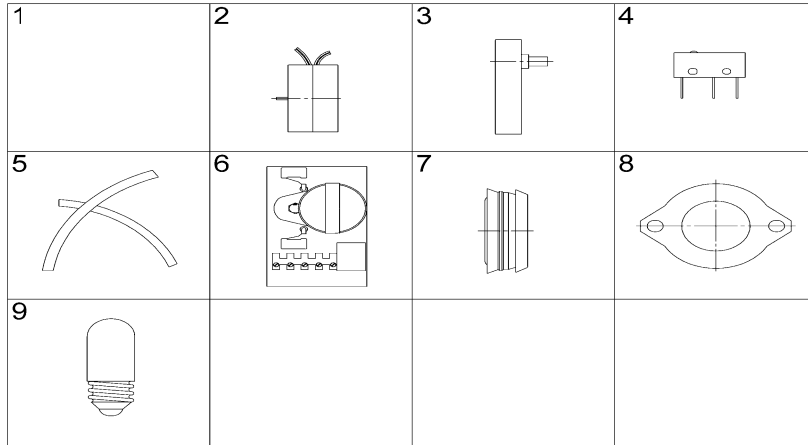
R1047_R01

Pos	LT-no.:	Text	Qty	Unit
2	290037	Regeneration valve , DDM Regenerierventil , DDM	1	pcs.
3	202927	Blower, 1.5kW , LT-5 Gebläse , 1,5kW , LT-5	1	pcs.
3	500335	Blower , LT3-I , 0,4 KW with Klixon Gebläse , LT3-I , 0,4 KW mit Klixon	1	pcs.
3	500336	Blower , LT4-I , 1,1 KW with Klixon Gebläse , LT4-I , 1,1 KW mit Klixon	1	pcs.
3	500337	Blower , LT5-I , 1,3 KW with Klixon Gebläse , LT5-I , 1,3 KW mit Klixon	1	pcs.
3	500338	Blower , LT6-I , 3,4 KW with Klixon Gebläse , LT6-I , 3,4 KW mit Klixon	1	pcs.
4	202034	Cooler with glue , small , 9,6 kw Kühler mit Klebemittel , klein , 9,6 Kw	1	pcs.
5	206119	Air distributor, DDM60-120 Luftverteiler , DDM60-120	1	pcs.
5	207903	Air distributor, DDM180-225 Luftverteiler , DDM180-225	1	pcs.
6	201631	Thermostat , 50-300° C Thermostat , 50-300° C	1	pcs.
6	202214	Thermostat , 0-85° C , DDM-HT Thermostat , 0-85° C , DDM-HT	1	pcs.
7	207001	Thermo couple set, DDM-IV/V/DH-III Thermofühlerset , DDM-IV/V/DH-III	1	pcs.
7	207002	Thermo couple set, DDM-IV/V, Thermofühlerset , DDM-IV/V,	1	pcs.
7	285037	Thermal Sensor , DDM-IV/V Thermofühler , DDM-IV/V	1	pcs.
7	285038	Thermo couple , PT100 , REGEN Fühler , PT100 , REGEN	1	pcs.

Desiccant Dryer Mobile-VI
DDM-VI

Rev:
30.06.2014

Main parts



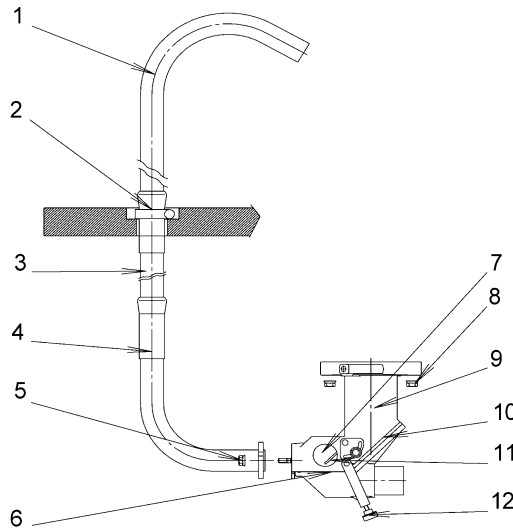
R1049

Pos	LT-no.:	Text	Qty	Unit
2	601151	Synchroneous motor f. reg. valve,DDM 24V Synkronmotor f. Reg. ventil, 24V, DDM	1	pcs.
3	602039	Gear f. synchroneous motor DDM Getriebe f. Synkronmotor DDM	1	pcs.
4	635015	Micro-switch , XC3, DDM Mikroschalter , XC3 , DDM	1	pcs.
5	501503	Suction hose , Ø32 , antistatic Saugschlauch , Ø32 , antistatisch , PVC	1	pcs.
5	501686	Suction hose , Ø38 , antistatic Saugschlauch , Ø38 , antistatisch , PVC	1	pcs.
6	202226	Gear motor, complete 24V level control Getriebemotor, kompl. 24V Niv.Kontrolle	1	pcs.
6	200796	PCB , paddle level control , 24V Platine , Niveauekontrolle , 24V	1	pcs.
6	260017	Micro switch set , level control Mikroschaltersatz , Niveauekontr.	1	pcs.
7	465064	Seal , Ø38mm Dichtung , Ø38mm	1	pcs.
8	320019	Pipe flange Ø38 Rohrflansch Ø38	1	pcs.
9	600264	Bulb for alarm lamp Bierne für Alarmlampe	1	pcs.

Desiccant Dryer Mobile-VI
DDM-VI

Rev:
30.06.2014

Injectorparts



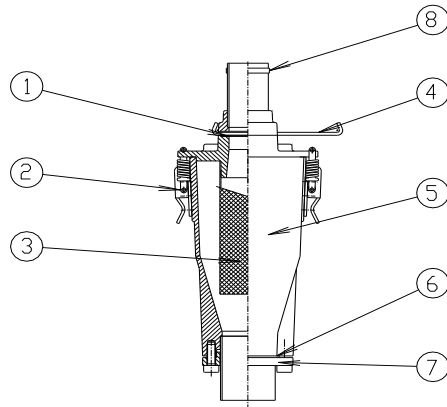
R1053

Pos	LT-no.:	Text	Qty	Unit
1	400427	Conveying pipe , upper , DDM-III , S.S. Steigrohr , oberes , V2A , DDM-III	1	pcs.
2	501504	Hose clip , Ø26-38 mm Spannband , Ø26-38 mm	1	pcs.
3	202452	Intermediate pipe , DDM60-III , SS. Steigrohr , middle. DDM60-III , V2A	1	pcs.
3	202453	Intermediate pipe , DDM120-III , SS. Steigrohr , middle. , DDM120-III , V2A	1	pcs.
3	202454	Intermediate pipe , DDM180-III , SS. Steigrohr , middle. , DDM180-III , V2A	1	pcs.
4	202444	Lower conveying pipe , DDM-III , SS. Steigrohr , unteres , DDM-III , V2A	1	pcs.
5	800189	Flange nut , M8 , DIN6923 Flanschenmutter , M8 , DIN6923	1	pcs.
6	202370	Wire screen for injector Netz für Injektor	1	pcs.
7	500155	Sight glass for injector Schauglas für Injektor	1	pcs.
8	800190	Flange nut , M10 , DIN6923 Flanschenmutter , M10 , DIN6923	1	pcs.
9	202297	Injector, complete , DDM-III/-IV/-V Injektor, komplett , DDM-III/-IV/-V	1	pcs.
10	500159	Seal for injector , Ø1/Ø3MM Dichtung für Injektor , Ø1/Ø3MM	1	pcs.
11	404372	Flap for injector USE 404382 Klappe für Injektor ersetzt durch 404382	1	pcs.
12	500157	Finger screw M6 Griffschraube M6	1	pcs.

Desiccant Dryer Mobile-VI
DDM-VI

Rev:
30.06.2014

Air separator



R1052

Pos	LT-no.:	Text	Qty	Unit
1	500116	Spring washer , DDM Federscheibe , DDM	1	pcs.
2	501501	Lock fitting Verschlussbeschlag	1	pcs.
3	404370	Wire mesh for air separator, new Zylindr.Drahtfilter f.Luftabscheider,neu	1	pcs.
4	404382	Slide, air separator Schieber für Luftabscheider	1	pcs.
5	202315	Air separator , DDM-III/-IV/-V Luftabscheider , DDM-III/-IV/-V	1	pcs.
6	872040	O-ring , Nitril , Ø50.8x3.53 O-Ring , Nitril , Ø50.8	1	pcs.
7	405366	Flange , pipe , Ø50.8 Rohrflansch Ø50.8 PGT	1	pcs.
8	501180	Hose clip , 44-56mm Spannband , 44-56mm	1	pcs.

Desiccant Dryer Mobile-VI
 DDM-VI

 Rev:
 30.06.2014

Recommended spare parts 2 year

Pos	LT-no.:	Text	Qty	Unit
	204173	Gear motor, complete 24V level control Getriebemotor, kompl. 24V Niv.Kontrolle	1	pcs.
	202370	Wire screen for injector Netz für Injektor	1	pcs.
	207001	Thermo couple set, DDM-IV/V/DH-III Thermofühlerset , DDM-IV/V/DH-III	1	pcs.
	207002	Thermo couple set, DDM-IV/V, Thermofühlerset , DDM-IV/V,	1	pcs.
	260017	Micro switch set , level control Mikroschaltersatz , Niveauekontr.	1	pcs.
	320683	Sealing ring , TPEL , DDM Dichtung , TPEL , DDM	1	pcs.
	404370	Wire mesh for air separator, new Zylindr.Drahtfilter f.Luftabscheider,neu	1	pcs.
	500469	Filter , DDM Filter , DDM	1	pcs.
	501536	Cartridge filter , AG192 Patronenfilter , AG192	1	pcs.
	600800	Fuse , 0.5A/T , 5x20mm , (10 pcs.) Sicherung , 0.5A/T , 5x20mm , (10 Stck)	1	pcs.
	600801	Fuse , 1A/T , 5x20mm Sicherung , 1A/T , 5x20 mm	1	pcs.
	601022	Solid State Relay , 35A/480V/5-32VDC Solid State Relais , 35A/480V/5-32VDC	1	pcs.
	601089	Contacteur , CI4-9 , 4Kw , No Schütz , CI4-9 , 4Kw , No	1	pcs.
	601749	Fuse , 1A /F , 5x20mm Sicherung , 1A /F , 5x20mm	1	pcs.
	601967	Fuse , 4A/F , 5x20mm (10 pcs) Sicherung , 4A/F , 5x20mm	1	pcs.
	601968	Fuse 3.15A /F , 5x20mm Sicherung 3.15A /F , 5x20mm	1	pcs.
	602217	Contacteur , CI 9 , 4kW Schütz , CI 9 , 4kW	1	pcs.
	602264	Contacteur , CI 16 , 7.5kW Schütz , CI 16 , 7.5kW	1	pcs.