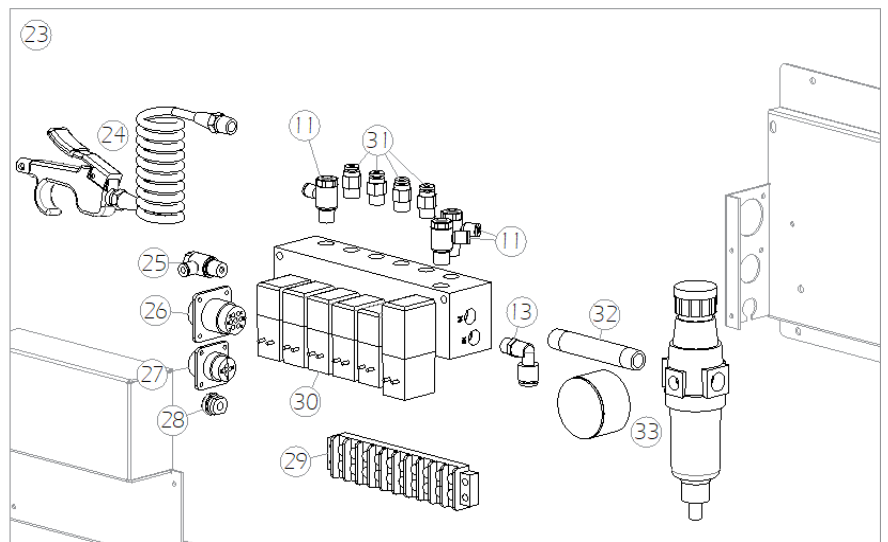
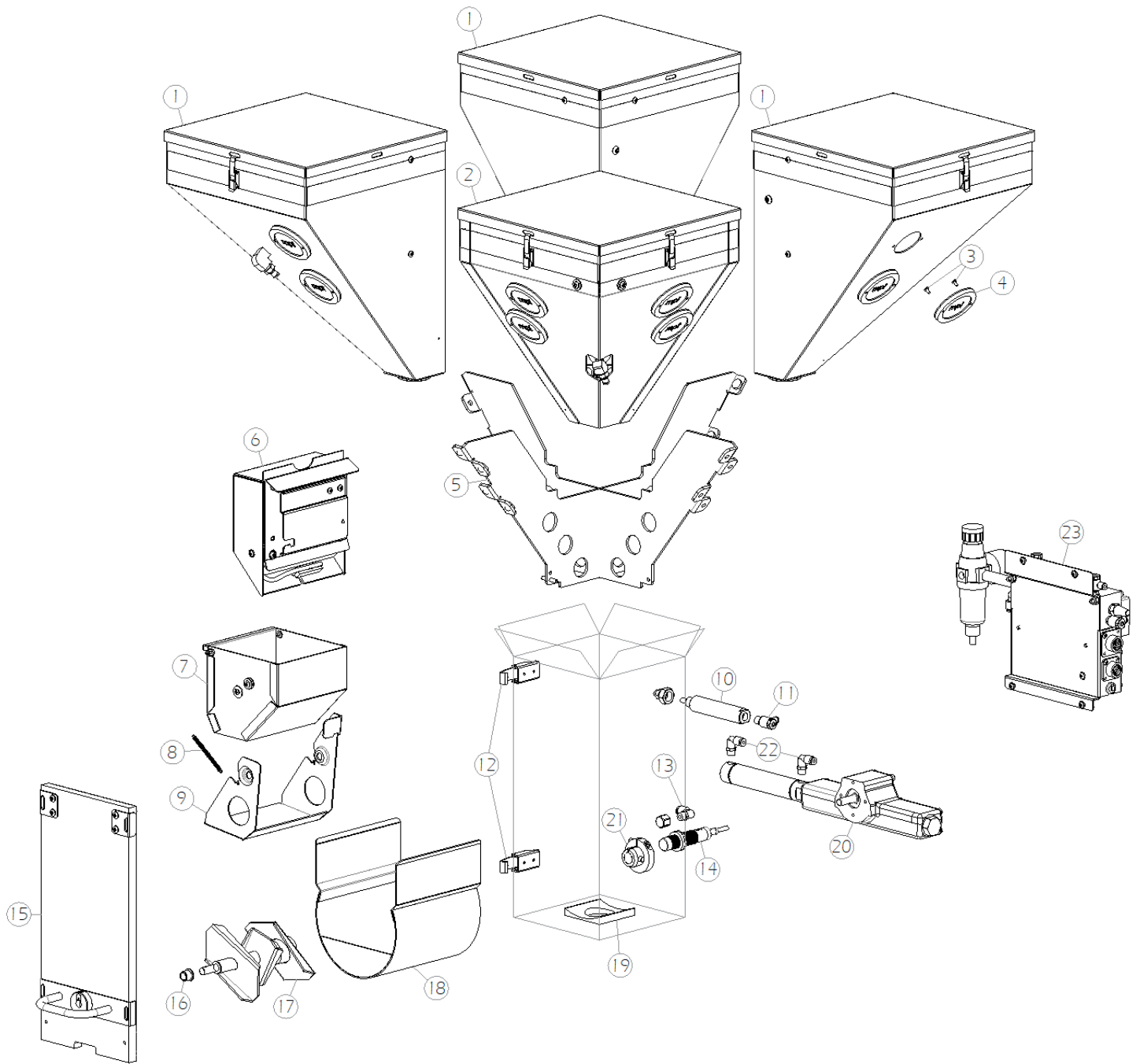


# WSB-MB

Item	Code	Description	Quantity
1	as305L-N	Hopper Assembly, 10 x 10, 1.25 Pivot Valve	3
2	as305D	Hopper Assembly, 10 x 10, Corner Valve	1
3	sr2-2	Pop Rivet, 1/8" Dia. 1/8 - 3/16 grip	32
4	psa13	Sight Glass, MPI Logo, Polycarb	16
5	as302	Hopper Divider Assembly 10"	1
6	alc-MB2	Load Cell Assembly, WSB-MB	1
7	as05-MB	Weigh Bin, WSB-MB	1
8	hs6	Extension Spring, MB Weigh Bin, 3/16" OD 2" long	1
9	307	Micro-Blender Dump Flap	1
10	ncy14	Air Cylinder, 3/4 Bore, 1.5 Stroke, Spring Return	1
11	nv08-16	Flow Control, Meter-In, 1/8 NPT x 5/32 PTL, Legris "B"	1
12	hl04	Draw Latch	4
13	fpe-42	Fitting, Swivel Elbow Male, 1/8" MPT x 1/4"	2
14	asps-03M	18mm Level Sensor, Twist-Loc Plug, WSB-MB	1
15	as380	Front Window Assembly	1
16	380-SB3	WSB-MB Flanged Sleeve Bearing	1
17	325-1W	Mix Blade	1
18	317-1	WSB Mix Chamber Insert	1
19	318	Micro-Blender Mix Chamber Saddle	1
20	as309L	Pneumatic Rotary Actuator, 270 deg, Left	1
21	325-C1	Mix Blade Coupling WSB-MB	1
22	fpe-532	Fitting, Swivel Elbow Male, 1/8" MPT x 5/32"	2
23	as06-M	Solenoid Tray Assembly 230V, WSB-MB	1
24	n/12BG	Recoil Hose & Air Blow Gun 1/4" NPT	1
25	nv08-06	Flow Control, Meter-Out, 1/8" MPT x 5/32, Legris "A"	1
26	epgm10	Connector, Receptacle, 9 pin	1
27	epgm07	Connector, Receptacle, 4 pin	1
28	ehsr1	Strain Relief	1
29	ehc13-10	Terminal Strip, 10-circuit, 20A 300V	1
30	nv24-MB	Solenoid Valve Set of 6, 24Volt, WSB-MB	1
31	fpc-532	Fitting, Straight Male, 1/8" MPT x 5/32	4
32	fsn4-64	Galvanized Steel Pipe Nipple, 1/4 NPT x 4" Long	1
33	nfr	Air filter-Regulator-Gauge-40cfm (WSB)	1



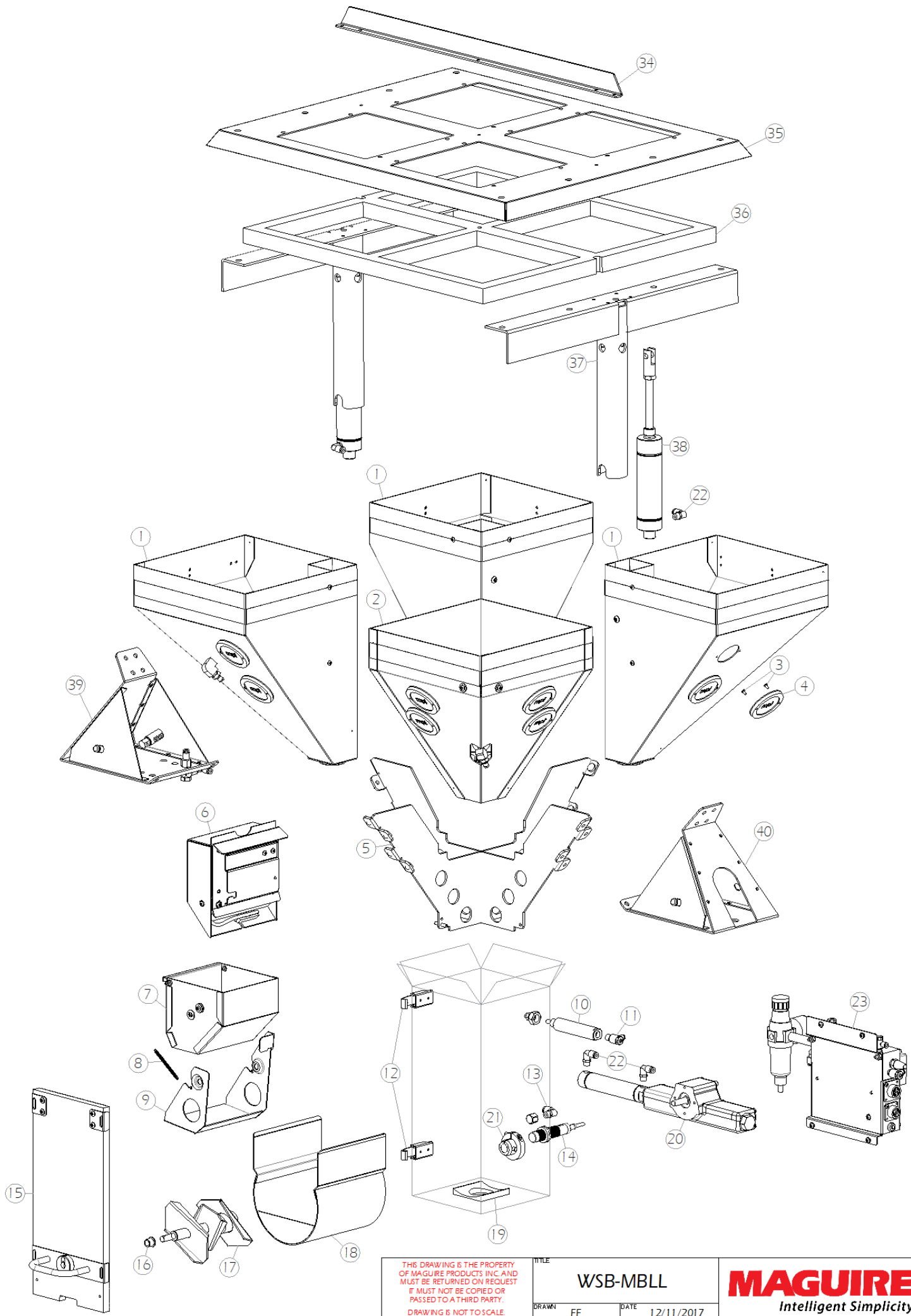
THIS DRAWING IS THE PROPERTY OF MAGUIRE PRODUCTS INC. AND MUST BE RETURNED ON REQUEST IF MUST NOT BE COPIED OR PASSED TO A THIRD PARTY. DRAWING IS NOT TO SCALE.

TITLE  
**WSB-MB**  
 DRAWN FF DATE 12/11/2017

**MAGUIRE**<sup>®</sup>  
 Intelligent Simplicity

# WSB-MBLL

Item	Code	Description	Quantity
1	as305L-N	Hopper Assembly, 10 x 10, 1.25 Pivot Valve	3
2	as305D	Hopper Assembly, 10 x 10, Corner Valve	1
3	sr2-2	Pop Rivet, 1/8" Dia. 1/8 - 3/16 grip	32
4	psa13	Sight Glass, MPI Logo, Polycarb	16
5	as302	Hopper Divider Assembly 10"	1
6	alc-MB2	Load Cell Assembly, WSB-MB	1
7	as05-MB	Weigh Bin, WSB-MB	1
8	hs6	Extension Spring, MB Weigh Bin, 3/16" OD 2" long	1
9	307	Micro-Blender Dump Flap	1
10	ncy14	Air Cylinder, 3/4 Bore, 1.5 Stroke, Spring Return	1
11	nv08-16	Flow Control, Meter-In, 1/8 NPT x 5/32 PTL, Legris "B"	1
12	hl04	Draw Latch	4
13	fpe-42	Fitting, Swivel Elbow Male, 1/8" MPT x 1/4"	2
14	asps-03M	18mm Level Sensor, Twist-Loc Plug, WSB-MB	1
15	as380	Front Window Assembly	1
16	380-SB3	WSB-MB Flanged Sleeve Bearing	1
17	325-1W	Mix Blade	1
18	317-1	WSB Mix Chamber Insert	1
19	318	Micro-Blender Mix Chamber Saddle	1
20	as309L	Pneumatic Rotary Actuator, 270 deg, Left	1
21	325-C1	Mix Blade Coupling WSB-MB	1
22	fpe-532	Fitting, Swivel Elbow Male, 1/8" MPT x 5/32"	3
23	as06-M	Solenoid Tray Assembly 230V, WSB-MB	1
34	305-LMS	Lid Stiffener, MB Lift Lid	1
35	305-LM	Hopper Lid, MB Lifting	1
36	305-LMG	Foam Rubber Seal, MB Lifting Lid	1
37	304-LW01	MB Lid Lift Support	2
38	ncy81	Air Cylinder, 1.5" Bore, 3" Stroke, Double End Mount	2
39	as304BL	Lift Lid Base Assembly, Left	1
40	as304BR	Lift Lid Base Assembly, Right	1



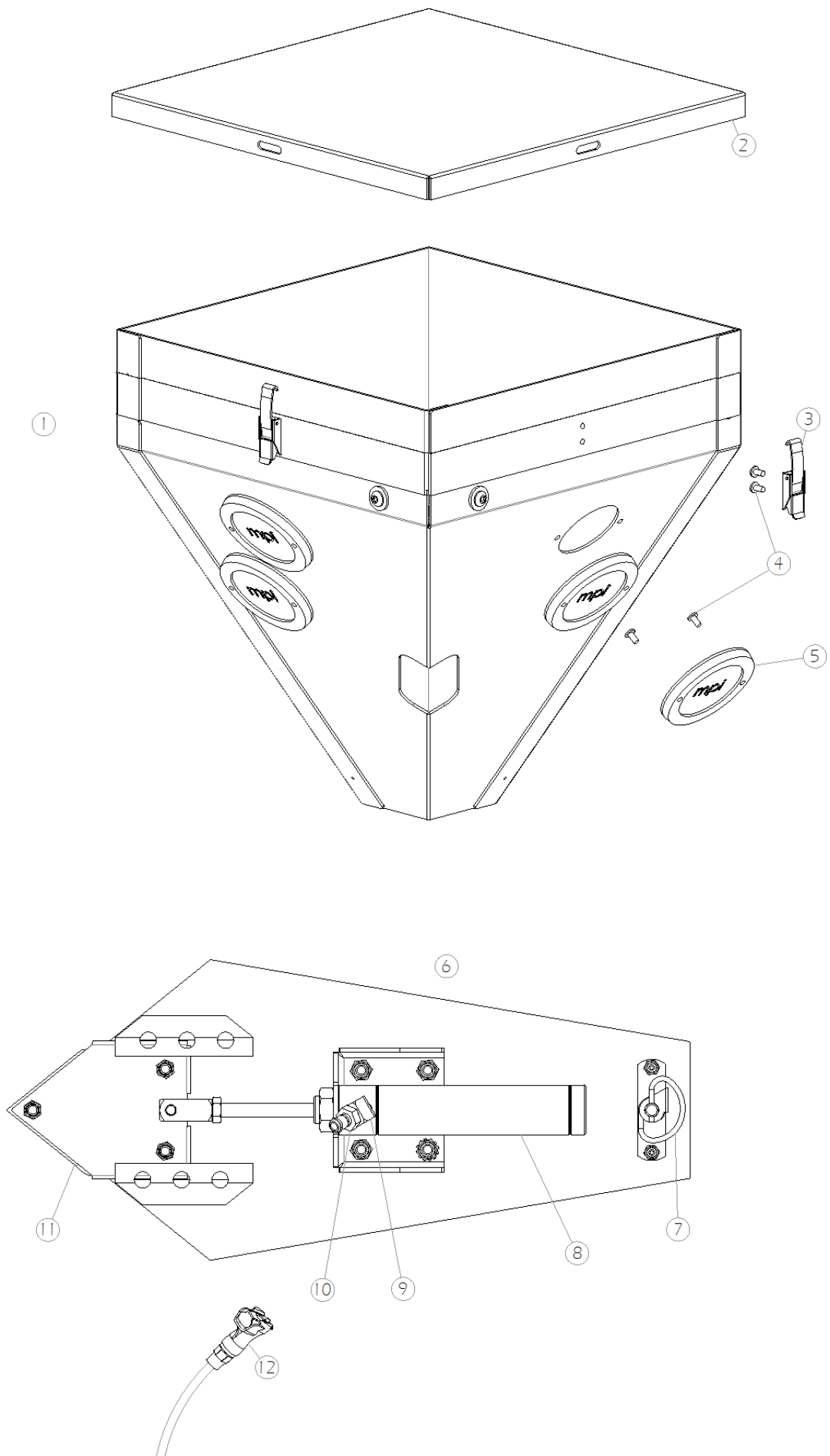
THIS DRAWING IS THE PROPERTY OF MAGUIRE PRODUCTS INC. AND MUST BE RETURNED ON REQUEST IF MUST NOT BE COPIED OR PASSED TO A THIRD PARTY. DRAWING IS NOT TO SCALE.

TITLE		WSB-MBLL	
DRAWN	FF	DATE	12/11/2017

**MAGUIRE**<sup>®</sup>  
Intelligent Simplicity

## 10" Removable Hopper - Corner Valve

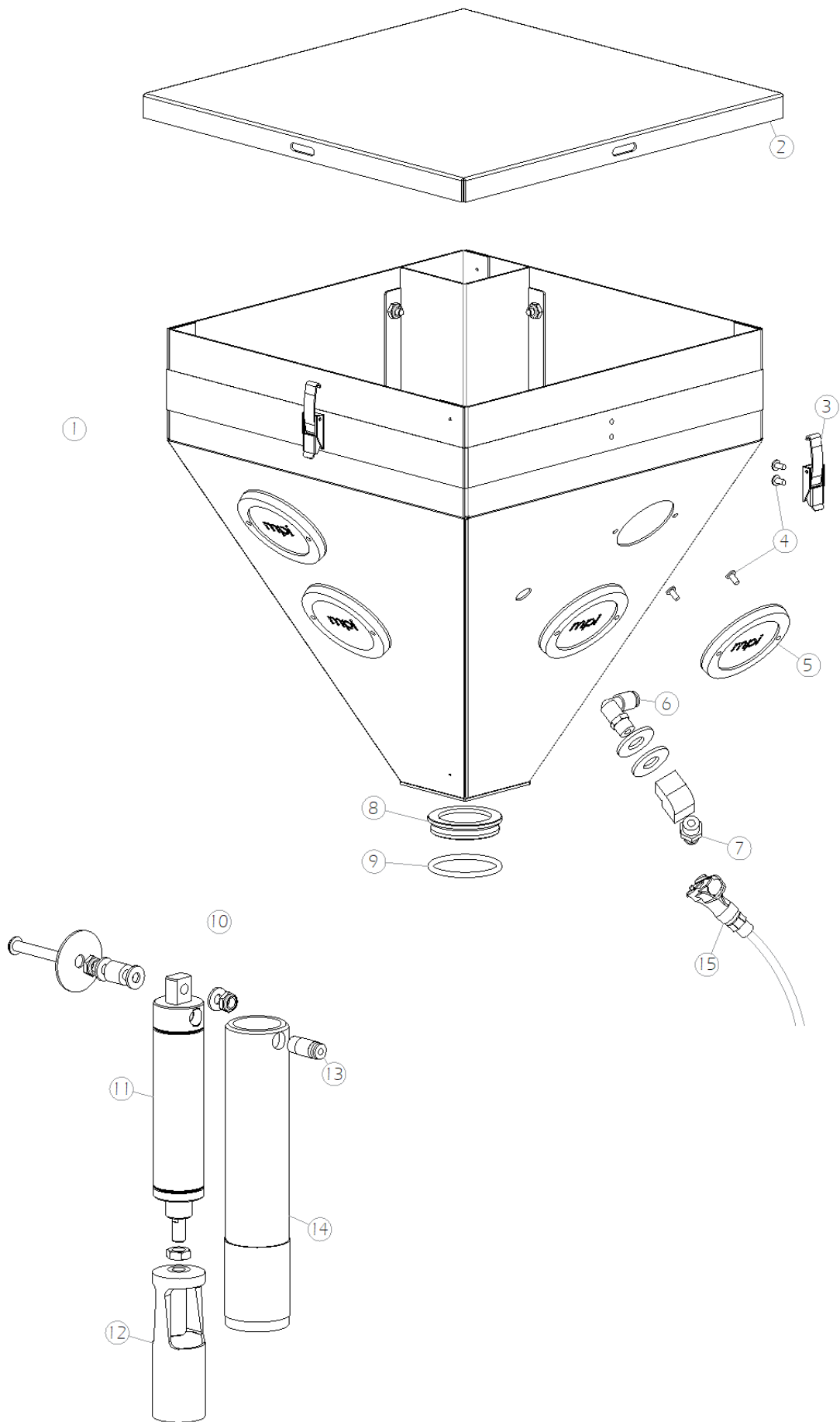
Item	Code	Description	Quantity
1	as305D	Hopper Assembly, 10 x 10, Corner Valve	1
2	305R-L	Lid, 10 x 10 WSB-MB Hopper	1
3	hl03	Draw Latch, Small	2
4	sr2-2	Pop Rivet, 1/8" Dia. 1/8 - 3/16 grip	12
5	psa13	Sight Glass, MPI Logo, Polycarb	4
6	as340D	Corner Valve Assembly 10 x 10	1
7	hl23T	Spring Latch T-bar Grip	1
8	ncy70	Air Cylinder, 1" Bore, 2" Stroke, Spring Extend	1
9	fbe2-03	Street Elbow, 45 deg, 1/8 FPT x 1/8 MPT	1
10	fpqM	Quick Connect, male, 1/8 MPT	1
11	340D-G	Rubber Seal, Corner Valve for 10x10 WSB-MB	1
12	fpqF	Coupler Body, Plastic, 5/32 Tube Shutoff	1



<p>THIS DRAWING IS THE PROPERTY OF MAGUIRE PRODUCTS INC. AND MUST BE RETURNED ON REQUEST IF NOT BE COPIED OR PASSED TO A THIRD PARTY. DRAWING IS NOT TO SCALE.</p>	<p>TITLE MB Hopper Corner Valve</p>		<p><b>MAGUIRE</b><sup>®</sup> Intelligent Simplicity</p>
	<p>DRAWN FF</p>	<p>DATE 12/11/2017</p>	

## 10" Removable Hopper - Pivot Valve

Item	Code	Description	Quantity
1	as305L-N	Hopper Assembly, 10 x 10, 1.25 Pivot Valve	1
2	305R-L	Lid, 10 x 10 WSB-MB Hopper	1
3	hl03	Draw Latch, Small	2
4	sr2-2	Pop Rivet, 1/8" Dia. 1/8 - 3/16 grip	12
5	psa13	Sight Glass, MPI Logo, Polycarb	4
6	fpe-532	Fitting, Swivel Elbow Male, 1/8" MPT x 5/32"	1
7	fpqM	Quick Connect, male , 1/8 MPT	1
8	305-T25	Valve Bushing Insert, 1.25"	1
9	go-218v	O-Ring, Viton, ASTM Dash# -218	1
10	as333S25	1.25" Pivot Valve Assy	1
11	ncy36	Air Cylinder, 1" Bore, 1.5" stroke, Spring Return	1
12	333-25s	Pivot Valve, 1.25" dia, Alum, Vertical	1
13	fpc532-1	Connector, Internal Hex, 1/8 MPT x 5/32 Press-In	1
14	330-25s	Hood-Rubber Skirted, 1.25" Pivot Valve	1
15	fpqF	Coupler Body, Plastic, 5/32 Tube Shutoff	1

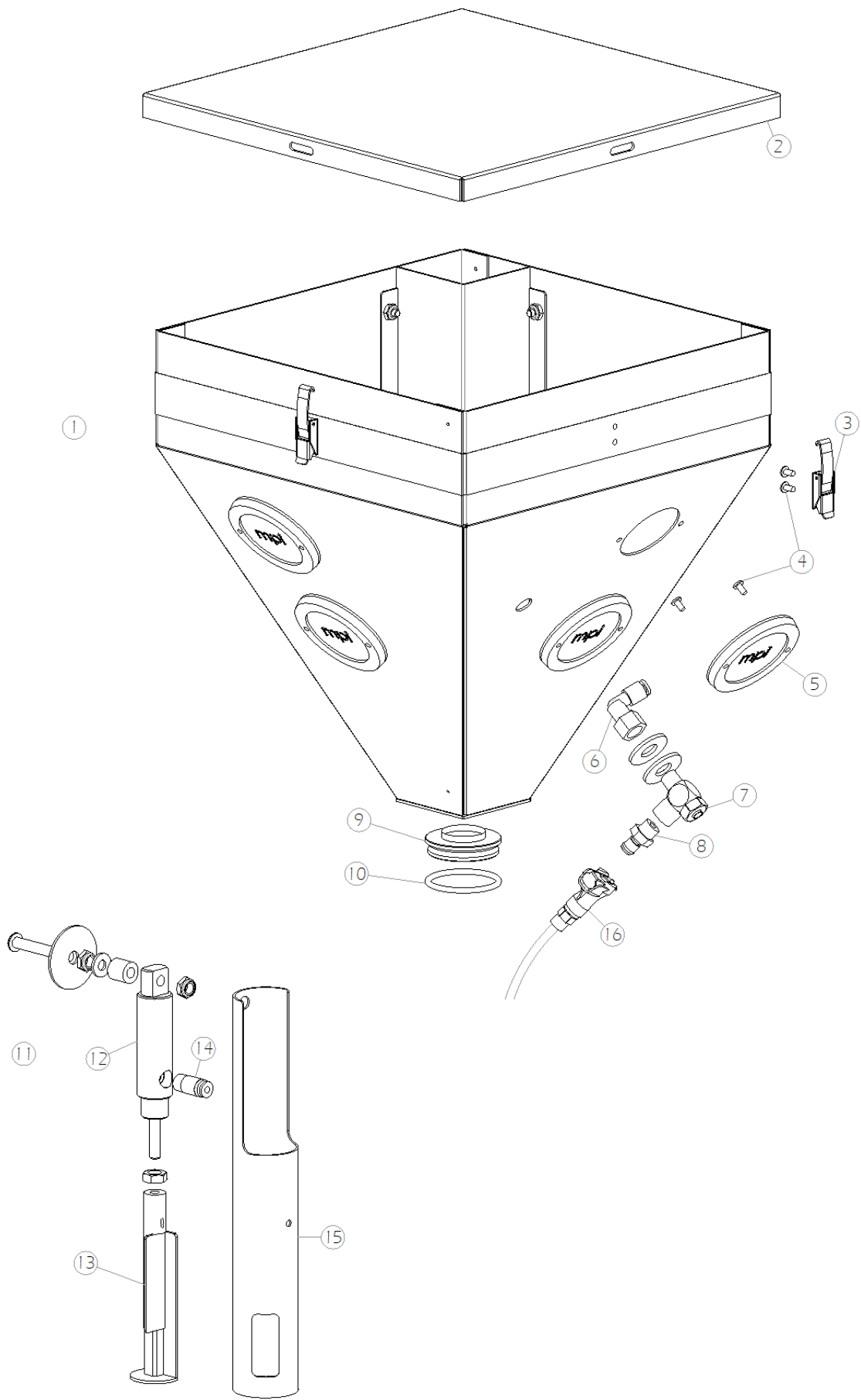


<p>THIS DRAWING IS THE PROPERTY OF MAGUIRE PRODUCTS INC. AND MUST BE RETURNED ON REQUEST IF MUST NOT BE COPIED OR PASSED TO A THIRD PARTY. DRAWING IS NOT TO SCALE.</p>	<p>TITLE MB Hopper Pivot Valve</p>		<p><b>MAGUIRE</b><sup>®</sup> Intelligent Simplicity</p>
	<p>DRAWN FF</p>	<p>DATE 12/11/2017</p>	



## 10" Removable Hopper - Carousel MicroPulse Valve

Item	Code	Description	Quantity
1	as305L-C	Hopper Assembly, 10x10, Carousel MicroPulse	1
2	305R-L	Lid, 10 x 10 WSB-MB Hopper	1
3	hl03	Draw Latch, Small	2
4	sr2-2	Pop Rivet, 1/8" Dia. 1/8 - 3/16 grip	12
5	psa13	Sight Glass, MPI Logo, Polycarb	4
6	fpe-532	Fitting, Swivel Elbow Male, 1/8" MPT x 5/32"	1
7	nv18	Needle Valve, 1/8NPT, Compact Air	1
8	fpqM	Quick Connect, male, 1/8 MPT	1
9	347-2	Adaptor Cap, 1.25" Bushing, Carousel MP	1
10	go-218v	O-Ring, Viton, ASTM Dash# -218	1
11	as345M	Carousel MP Valve Assy, WSB-MB 10" Hopper	1
12	ncy36	Air Cylinder, 1" Bore, 1.5" stroke, Spring Return	1
13	fpc532-1	Connector, Internal Hex, 1/8 MPT x 5/32 Press-In	1
14	345W-L	Valve Weldment, LH, Carousel Micropulse	1
15	346-M	Valve Sleeve, Carousel MP, MB Hopper	1
16	fpqF	Coupler Body, Plastic, 5/32 Tube Shutoff	1



<p>THIS DRAWING IS THE PROPERTY OF MAGUIRE PRODUCTS INC. AND MUST BE RETURNED ON REQUEST IF MUST NOT BE COPIED OR PASSED TO A THIRD PARTY. DRAWING IS NOT TO SCALE.</p>	<p>TITLE MB Hopper Carousel Valve</p>		<p><b>MAGUIRE</b><sup>®</sup> Intelligent Simplicity</p>
	<p>DRAWN FF</p>	<p>DATE 12/11/2017</p>	