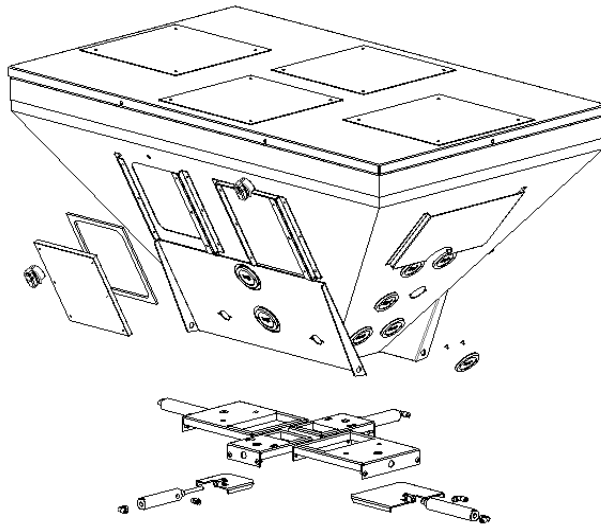
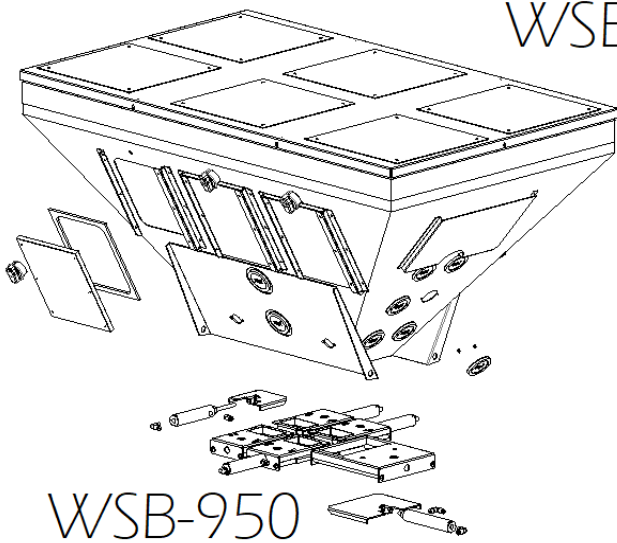


## WSB-900 Series

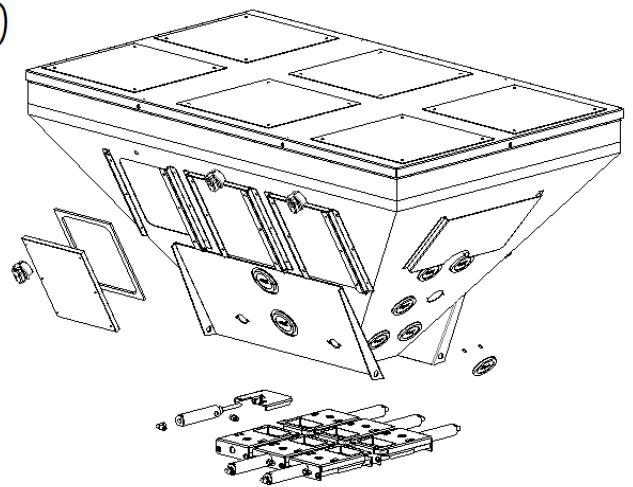
Item	Code	Description	940	950	960
1	5560-WG	Hopper Window Gasket 6" x 8"	6	6	6
2	5560-W	Hopper Window 6"x8"	6	6	6
3	as505-K	Knob Assembly, WSB Hopper Window, Red	6	6	6
4	sr2-2	Pop Rivet, 1/8" Dia. 1/8 - 3/16 grip	32	32	32
5	psa13	Sight Glass, MPI Logo, Polycarb	16	16	16
6	as2x3	Slide Valve Assy, 2" x 3"	2	4	6
7	as5536	Slider & Clevis Assy, 2 x 3 Valve	2	4	6
8	ncy2	Air Cylinder, 1" Bore, 2" Stroke, 2-way	2	4	6
9	as3x6	Slide Valve Assy, 3" x 6"	2	1	-
10	as5538	Slider & Clevis Assy, 3 x 6 Valve	2	1	-
11	ncy15	Air Cylinder, 1" Bore, 3" Stroke, 2-way	2	1	-
12	fpc-532	Fitting, Straight Male, 1/8" MPT x 5/32	2	2	2
13	fpe-532	Fitting, Swivel Elbow Male, 1/8" MPT x 5/32"	6	6	6
14	alc-9	Load Cell Assembly, WSB-900	1	1	1
15	as05-09	Weigh Bin, WSB-900	1	1	1
16	ncy17	Air Cylinder for Weigh Bin	1	1	1
17	5508-S	Weigh Bin Dump Flap	1	1	1
18	fpcF-2	Weigh Bin Coupler Body 1/8 MPT	1	1	1
19	fbc52	Weigh Bin Female Connector, 1/8 FPT x 5/32 PTL	1	1	1
20	as5506-h	Weigh Bin Holder Assembly 9/18kg	1	1	1
21	hl04	Draw Latch	2	2	2
22	esle	Safety Interlock Switch & Key	1	1	1
23	as5584	Hinged Window Assembly	1	1	1
24	as5580-01	Side Window Assembly - pre 2015 external cables	1	1	1
24	as5580-02	Side Window Assembly - post 2015 internal cables	1	1	1
25	595-9SB	Side Enclosure Polycarbonate	1	1	1
26	as5517	Mix Chamber - pre 2015 non latching	1	1	1
26	as5517-L	Mix Chamber - post 2015 latching	1	1	1
27	hh08	Mix Chamber Handle	1	1	1
28	5517-W	Level Sensor Window - Airblast Hole	1	1	1
29	525-9W	Mix Blade, WSB-900	1	1	1
30	hb05	Mix Blade Bearing	2	2	2
31	518-18	Mix Chamber Saddle, WSB-900/1800	1	1	1
32	asps-01B	30mm Level Sensor, Twist-Loc Plug, 31" Cable	1	1	1
33	5590-1	Drive Coupling - Blade side	1	1	1
34	5590-2	Drive Coupling - Motor side	1	1	1
35	5547	Coupling Finger Guard	1	1	1
36	as5565-09F	Motor Starter Assembly, 230V Control, 400/3/50Hz	1	1	1
37	mC22360	Mix Motor 400/3/50	1	1	1
38	as06-42	Solenoid Tray Assembly 6-Segment 230V	1	-	-
39	as06-62	Solenoid Tray Assembly 8-Segment 230V	-	1	1



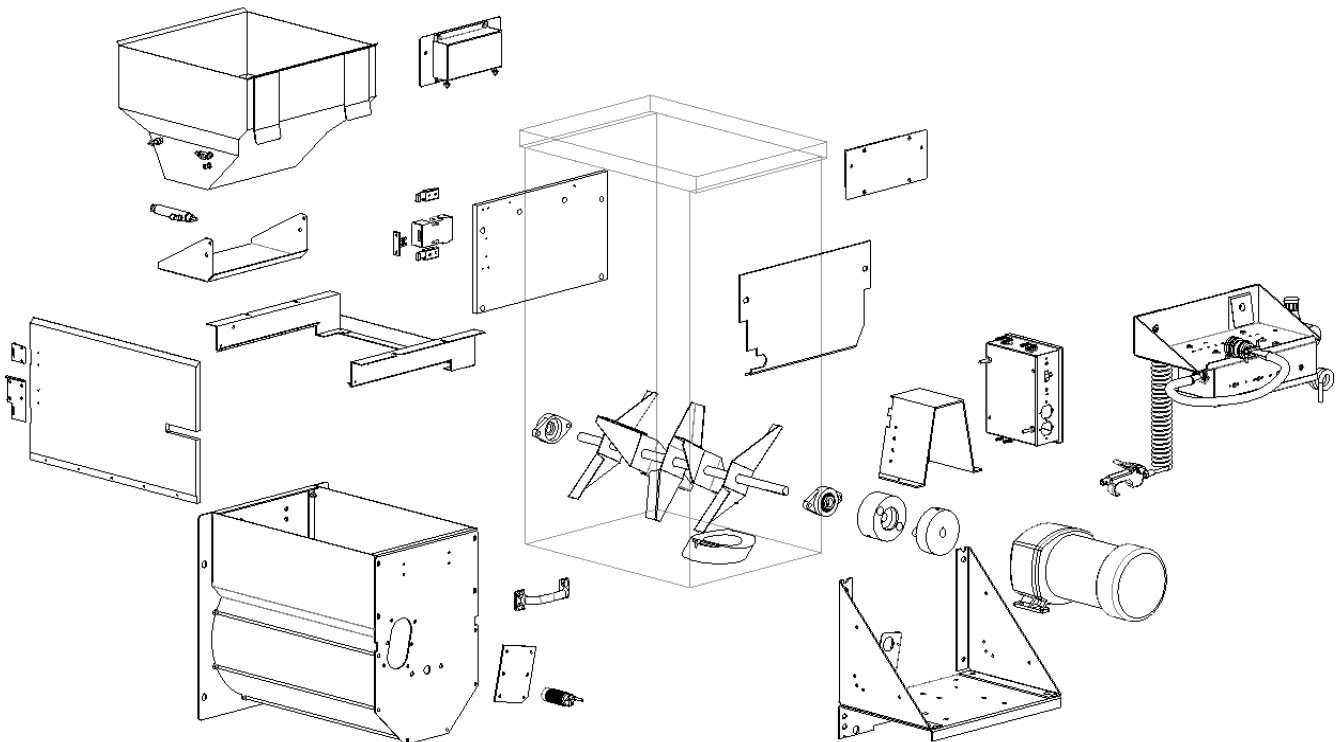
WSB-940



WSB-950



WSB-960



<p>THIS DRAWING IS THE PROPERTY OF MAGUIRE PRODUCTS INC. AND MUST BE RETURNED ON REQUEST IF MUST NOT BE COPIED OR PASSED TO A THIRD PARTY. DRAWING IS NOT TO SCALE.</p>	<p>TITLE <b>WSB-900 Series</b></p>		<p><b>MAGUIRE</b><sup>®</sup> Intelligent Simplicity</p>
	<p>DRAWN FF</p>	<p>DATE 12/11/2017</p>	

# WSB-940

Item	Code	Description	Quantity
1	5560-WG	Hopper Window Gasket 6" x 8"	6
2	5560-W	Hopper Window 6"x8"	6
3	as505-K	Knob Assembly, WSB Hopper Window, Red	6
4	sr2-2	Pop Rivet, 1/8" Dia. 1/8 - 3/16 grip	32
5	psa13	Sight Glass, MPI Logo, Polycarb	16
6	as2x3	Slide Valve Assy, 2" x 3"	2
7	as5536	Slider & Clevis Assy, 2 x 3 Valve	2
8	ncy2	Air Cylinder, 1" Bore, 2" Stroke, 2-way	2
9	as3x6	Slide Valve Assy, 3" x 6"	2
10	as5538	Slider & Clevis Assy, 3 x 6 Valve	2
11	ncy15	Air Cylinder, 1" Bore, 3" Stroke, 2-way	2
12	fpc-532	Fitting, Straight Male, 1/8" MPT x 5/32	2
13	fpe-532	Fitting, Swivel Elbow Male, 1/8" MPT x 5/32"	6

14	alc-9	Load Cell Assembly, WSB-900	1
15	as05-09	Weigh Bin, WSB-900	1
16	ncy17	Air Cylinder for Weigh Bin	1
17	5508-S	Weigh Bin Dump Flap	1
18	fpgF-2	Weigh Bin Coupler Body 1/8 MPT	1
19	fbc52	Weigh Bin Female Connector, 1/8 FPT x 5/32 PTL	1

20	as5506-h	Weigh Bin Holder Assembly 9/18kg	1
21	hl04	Draw Latch	2
22	esle	Safety Interlock Switch & Key	1

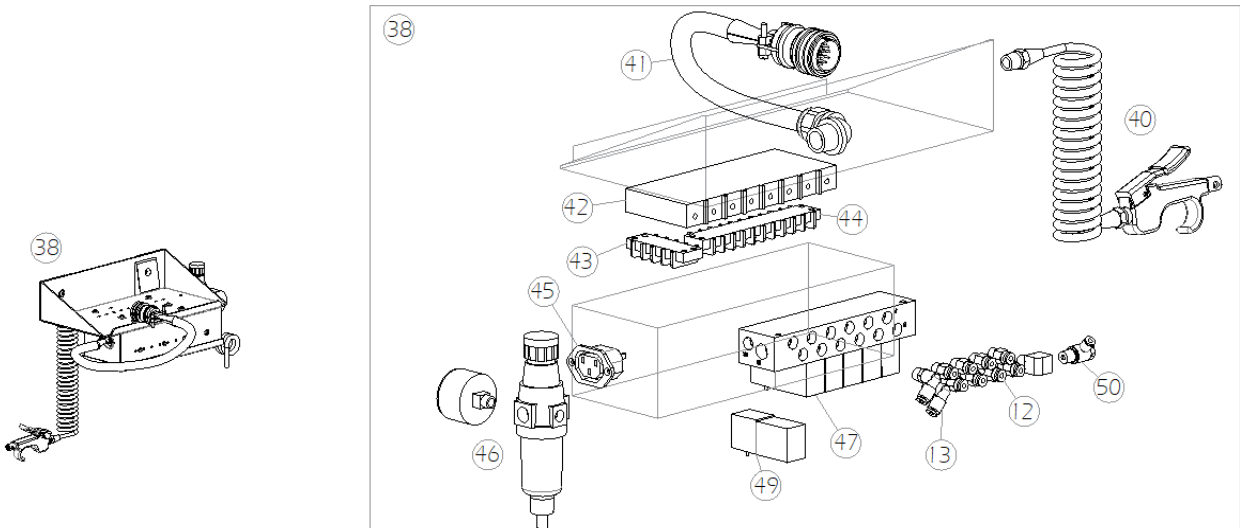
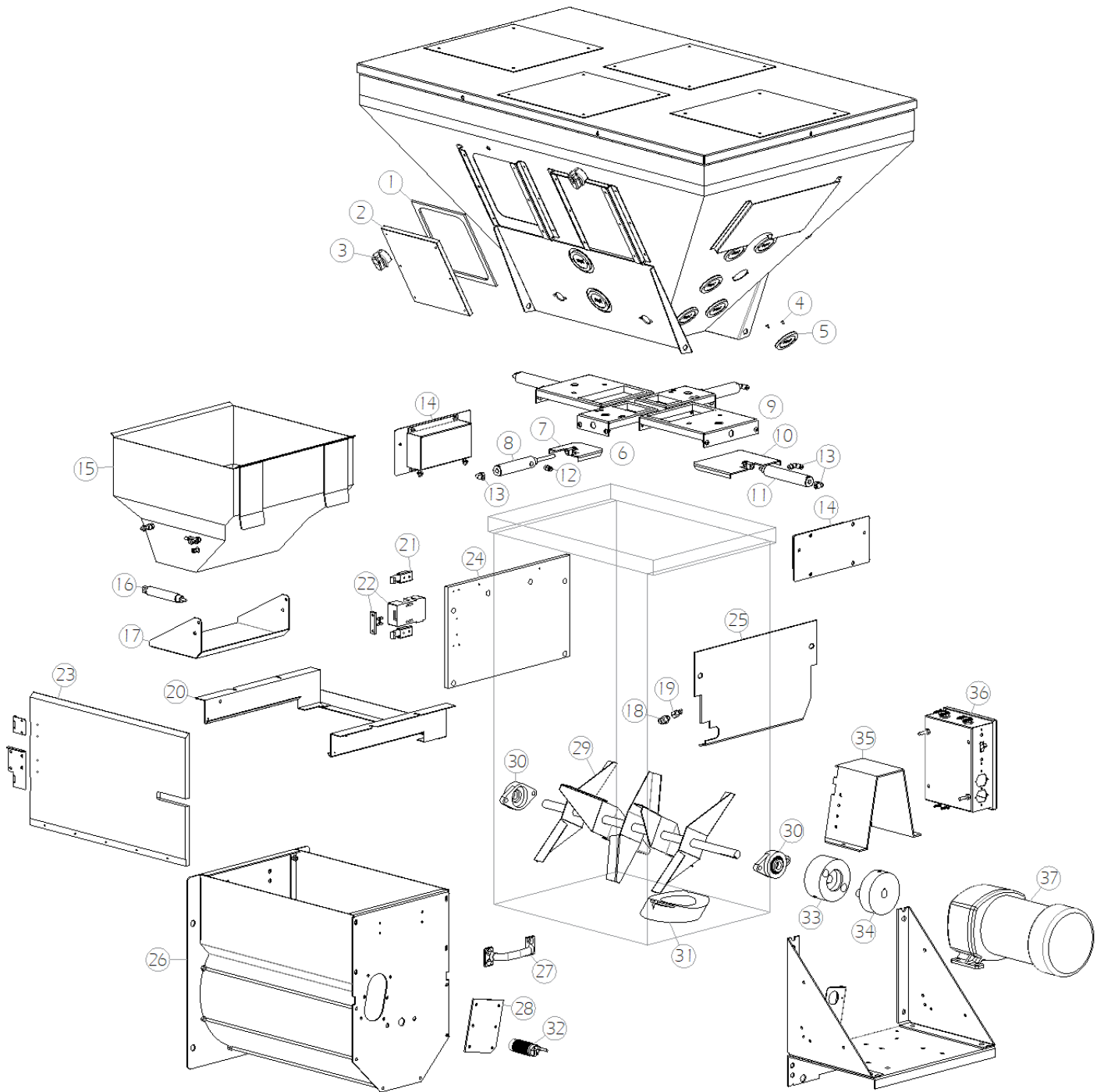
23	as5584	Hinged Window Assembly	1
24	as5580-01	Side Window Assembly - pre 2015 external cables	1
24	as5580-02	Side Window Assembly - post 2015 internal cables	1
25	595-9SB	Side Enclosure Polycarbonate	1

26	as5517	Mix Chamber - pre 2015 non latching	1
26	as5517-L	Mix Chamber - post 2015 latching	1

27	hh08	Mix Chamber Handle	1
28	5517-W	Level Sensor Window - Airblast Hole	1
29	525-9W	Mix Blade, WSB-900	1
30	hb05	Mix Blade Bearing	1

31	518-18	Mix Chamber Saddle, WSB-900/1800	1
32	asps-01B	30mm Level Sensor, Twist-Loc Plug, 31" Cable	1
33	5590-1	Drive Coupling - Blade side	1
34	5590-2	Drive Coupling - Motor side	1
35	5547	Coupling Finger Guard	1
36	as5565-09F	Motor Starter Assembly, 230V Control, 400/3/50Hz	1
37	mC22360	Mix Motor 400/3/50	1

38	as06-42	Solenoid Tray Assembly 6-Segment 230V	1
40	n/12BG	Recoil Hose & Air Blow Gun 1/4" NPT	1
41	asam117	17 Pin Amphenol Connector Assembly	1
42	564-AB	Actuator Block	1
43	ehc13-04	Terminal Strip, 4-circuit, 20A 300V	1
44	ehc13-10	Terminal Strip, 10-circuit, 20A 300V	1
45	epge	Receptacle Female 3-pin Euro	1
46	nfr	Air filter-Regulator-Gauge-40cfm (WSB)	1
47	nv24-6	Solenoid Valve Set of 6, 24Volt	1
49	nv24-sol	Solenoid Valve Single 24Volt	6
50	nv08-05	Weigh Bin Flow Control, 1/8 MPT x 5/32PTL	1



<p>THIS DRAWING IS THE PROPERTY OF MAGUIRE PRODUCTS INC. AND MUST BE RETURNED ON REQUEST IF MUST NOT BE COPIED OR PASSED TO A THIRD PARTY. DRAWING IS NOT TO SCALE.</p>	<p>TITLE <b>WSB-940</b></p>		<p><b>MAGUIRE®</b> Intelligent Simplicity</p>
	<p>DRAWN FF</p>	<p>DATE 12/11/2017</p>	

# WSB-950

Item	Code	Description	Quantity
1	5560-WG	Hopper Window Gasket 6" x 8"	6
2	5560-W	Hopper Window 6"x8"	6
3	as505-K	Knob Assembly, WSB Hopper Window, Red	6
4	sr2-2	Pop Rivet, 1/8" Dia. 1/8 - 3/16 grip	32
5	psa13	Sight Glass, MPI Logo, Polycarb	16
6	as2x3	Slide Valve Assy, 2" x 3"	4
7	as5536	Slider & Clevis Assy, 2 x 3 Valve	4
8	ncy2	Air Cylinder, 1" Bore, 2" Stroke, 2-way	4
9	as3x6	Slide Valve Assy, 3" x 6"	1
10	as5538	Slider & Clevis Assy, 3 x 6 Valve	1
11	ncy15	Air Cylinder, 1" Bore, 3" Stroke, 2-way	1
12	fpc-532	Fitting, Straight Male, 1/8" MPT x 5/32	2
13	fpe-532	Fitting, Swivel Elbow Male, 1/8" MPT x 5/32"	6

14	alc-9	Load Cell Assembly, WSB-900	1
15	as05-09	Weigh Bin, WSB-900	1
16	ncy17	Air Cylinder for Weigh Bin	1
17	5508-S	Weigh Bin Dump Flap	1
18	fpcF-2	Weigh Bin Coupler Body 1/8 MPT	1
19	fbc52	Weigh Bin Female Connector, 1/8 FPT x 5/32 PTL	1

20	as5506-h	Weigh Bin Holder Assembly 9/18kg	1
21	hl04	Draw Latch	2
22	esle	Safety Interlock Switch & Key	1

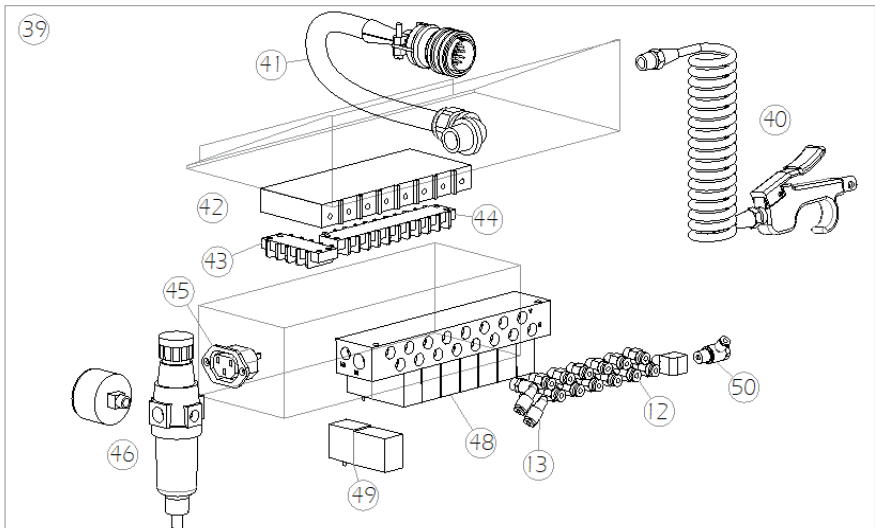
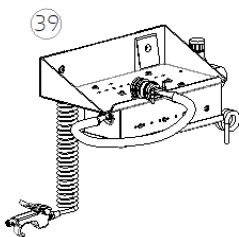
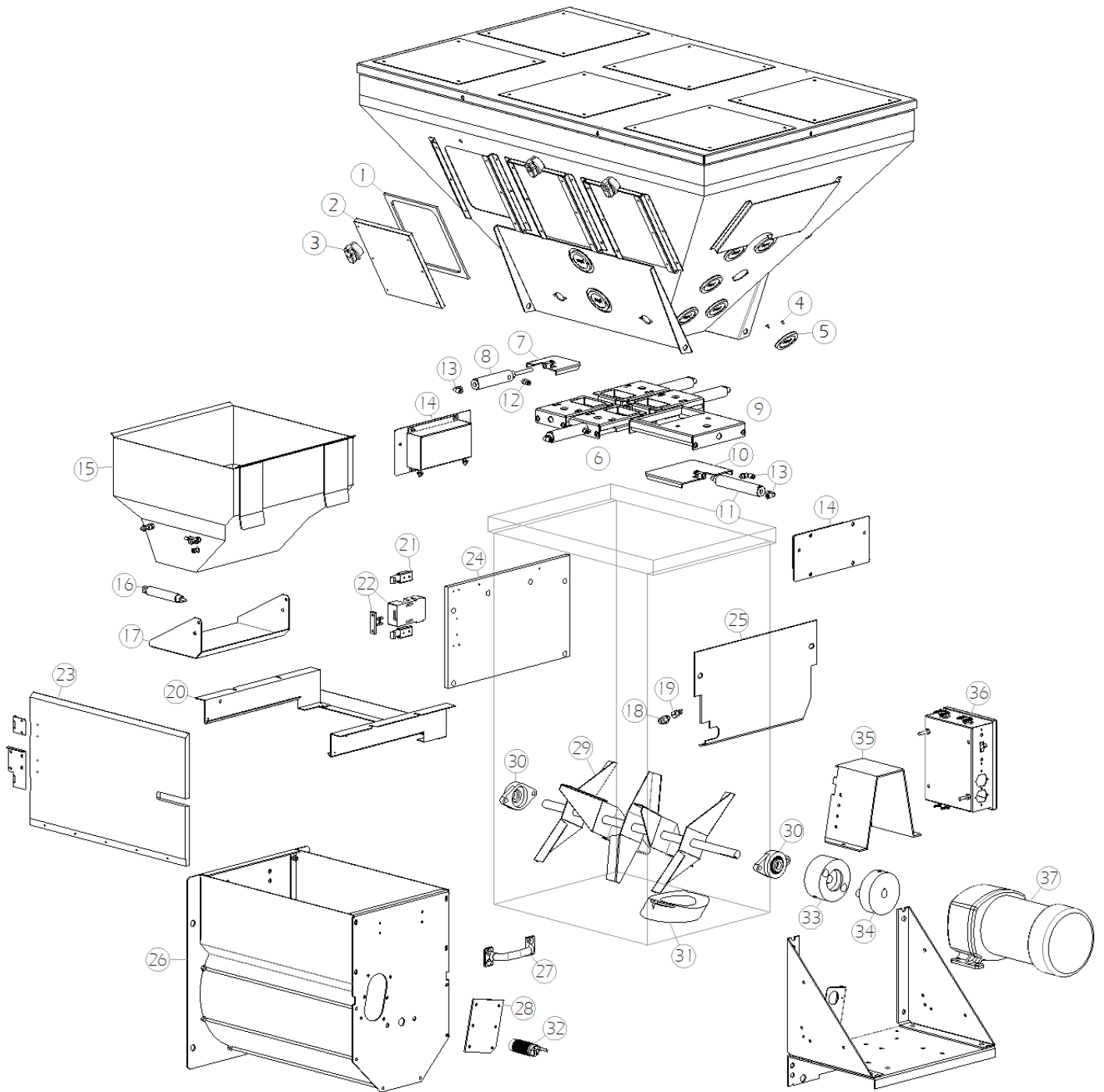
23	as5584	Hinged Window Assembly	1
24	as5580-01	Side Window Assembly - pre 2015 external cables	1
24	as5580-02	Side Window Assembly - post 2015 internal cables	1
25	595-9SB	Side Enclosure Polycarbonate	1

26	as5517	Mix Chamber - pre 2015 non latching	1
26	as5517-L	Mix Chamber - post 2015 latching	1

27	hh08	Mix Chamber Handle	1
28	5517-W	Level Sensor Window - Airblast Hole	1
29	525-9W	Mix Blade, WSB-900	1
30	hb05	Mix Blade Bearing	1

31	518-18	Mix Chamber Saddle, WSB-900/1800	1
32	asps-01B	30mm Level Sensor, Twist-Loc Plug, 31" Cable	1
33	5590-1	Drive Coupling - Blade side	1
34	5590-2	Drive Coupling - Motor side	1
35	5547	Coupling Finger Guard	1
36	as5565-09F	Motor Starter Assembly, 230V Control, 400/3/50Hz	1
37	mC22360	Mix Motor 400/3/50	1

39	as06-62	Solenoid Tray Assembly 8-Segment 230V	1
40	n/12BG	Recoil Hose & Air Blow Gun 1/4" NPT	1
41	asam117	17 Pin Amphenol Connector Assembly	1
42	564-AB	Actuator Block	1
43	ehc13-04	Terminal Strip, 4-circuit, 20A 300V	1
44	ehc13-10	Terminal Strip, 10-circuit, 20A 300V	1
45	epge	Receptacle Female 3-pin Euro	1
46	nfr	Air filter-Regulator-Gauge-40cfm (WSB)	1
48	nv24-8	Solenoid Valve Set of 8, 24Volt	1
49	nv24-sol	Solenoid Valve Single 24Volt	8
50	nv08-05	Weigh Bin Flow Control, 1/8 MPT x 5/32PTL	1



<p>THIS DRAWING IS THE PROPERTY OF MAGUIRE PRODUCTS INC. AND MUST BE RETURNED ON REQUEST IF MUST NOT BE COPIED OR PASSED TO A THIRD PARTY. DRAWING IS NOT TO SCALE.</p>	<p>TITLE <b>WSB-950</b></p>		<p><b>MAGUIRE®</b> Intelligent Simplicity</p>
	<p>DRAWN FF</p>	<p>DATE 12/11/2017</p>	

# WSB-960

Item	Code	Description	Quantity
1	5560-WG	Hopper Window Gasket 6" x 8"	6
2	5560-W	Hopper Window 6"x8"	6
3	as505-K	Knob Assembly, WSB Hopper Window, Red	6
4	sr2-2	Pop Rivet, 1/8" Dia. 1/8 - 3/16 grip	32
5	psa13	Sight Glass, MPI Logo, Polycarb	16
6	as2x3	Slide Valve Assy, 2" x 3"	6
7	as5536	Slider & Clevis Assy, 2 x 3 Valve	6
8	ncy2	Air Cylinder, 1" Bore, 2" Stroke, 2-way	6
9	as3x6	Slide Valve Assy, 3" x 6"	-
10	as5538	Slider & Clevis Assy, 3 x 6 Valve	-
11	ncy15	Air Cylinder, 1" Bore, 3" Stroke, 2-way	-
12	fpc-532	Fitting, Straight Male, 1/8" MPT x 5/32	2
13	fpe-532	Fitting, Swivel Elbow Male, 1/8" MPT x 5/32"	6

14	alc-9	Load Cell Assembly, WSB-900	1
15	as05-09	Weigh Bin, WSB-900	1
16	ncy17	Air Cylinder for Weigh Bin	1
17	5508-S	Weigh Bin Dump Flap	1
18	fpcF-2	Weigh Bin Coupler Body 1/8 MPT	1
19	fbc52	Weigh Bin Female Connector, 1/8 FPT x 5/32 PTL	1

20	as5506-h	Weigh Bin Holder Assembly 9/18kg	1
21	hl04	Draw Latch	2
22	esle	Safety Interlock Switch & Key	1

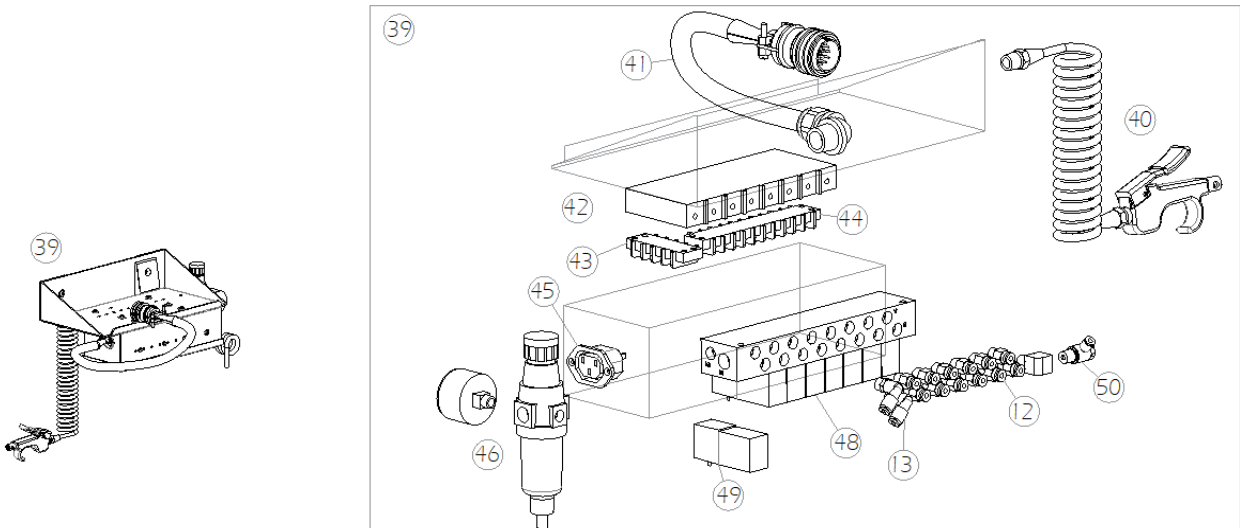
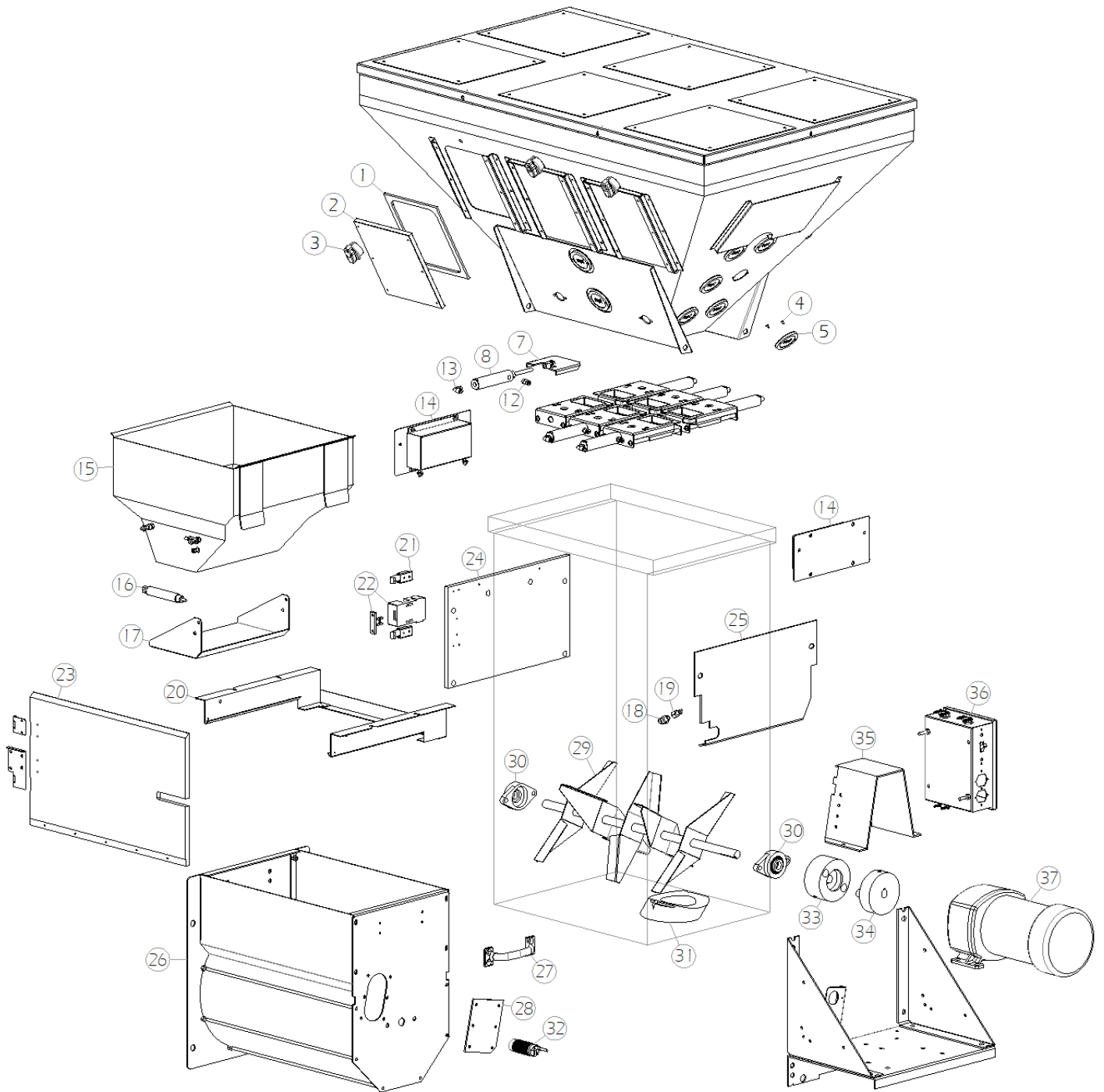
23	as5584	Hinged Window Assembly	1
24	as5580-01	Side Window Assembly - pre 2015 external cables	1
24	as5580-02	Side Window Assembly - post 2015 internal cables	1
25	595-9SB	Side Enclosure Polycarbonate	1

26	as5517	Mix Chamber - pre 2015 non latching	1
26	as5517-L	Mix Chamber - post 2015 latching	1

27	hh08	Mix Chamber Handle	1
28	5517-W	Level Sensor Window - Airblast Hole	1
29	525-9W	Mix Blade, WSB-900	1
30	hb05	Mix Blade Bearing	1

31	518-18	Mix Chamber Saddle, WSB-900/1800	1
32	asps-01B	30mm Level Sensor, Twist-Loc Plug, 31" Cable	1
33	5590-1	Drive Coupling - Blade side	1
34	5590-2	Drive Coupling - Motor side	1
35	5547	Coupling Finger Guard	1
36	as5565-09F	Motor Starter Assembly, 230V Control, 400/3/50Hz	1
37	mC22360	Mix Motor 400/3/50	1

39	as06-62	Solenoid Tray Assembly 8-Segment 230V	1
40	n/12BG	Recoil Hose & Air Blow Gun 1/4" NPT	1
41	asam117	17 Pin Amphenol Connector Assembly	1
42	564-AB	Actuator Block	1
43	ehc13-04	Terminal Strip, 4-circuit, 20A 300V	1
44	ehc13-10	Terminal Strip, 10-circuit, 20A 300V	1
45	epge	Receptacle Female 3-pin Euro	1
46	nfr	Air filter-Regulator-Gauge-40cfm (WSB)	1
48	nv24-8	Solenoid Valve Set of 8, 24Volt	1
49	nv24-sol	Solenoid Valve Single 24Volt	8
50	nv08-05	Weigh Bin Flow Control, 1/8 MPT x 5/32PTL	1



<p>THIS DRAWING IS THE PROPERTY OF MAGUIRE PRODUCTS INC. AND MUST BE RETURNED ON REQUEST IF MUST NOT BE COPIED OR PASSED TO A THIRD PARTY. DRAWING IS NOT TO SCALE.</p>	<p>TITLE <b>WSB-960</b></p>		<p><b>MAGUIRE®</b> Intelligent Simplicity</p>
	<p>DRAWN FF</p>	<p>DATE 12/11/2017</p>	