

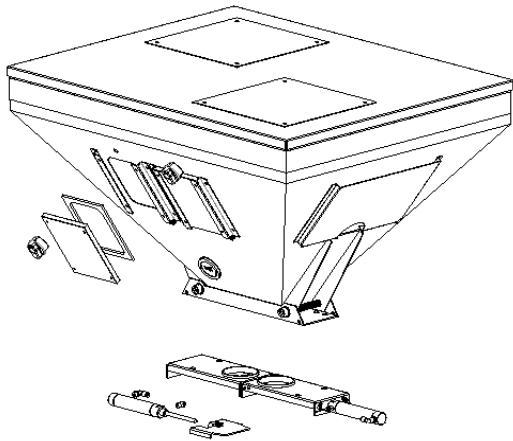
## WSB-400 Series

Item	Code	Description	420	440	440R	450	460
1	5560-WG	Hopper Window Gasket 6" x 8"	-	2	4	6	6
2	5560-W	Hopper Window 6"x8"	-	2	4	6	6
3	505-1WG	Hopper Window Gasket 4"x6"	4	-	-	-	-
4	505-1W	Hopper Window 4"x6"	4	-	-	-	-
5	as505-K	Knob Assembly, WSB Hopper Window, Red	4	2	4	6	6
6	as543L	Removable Hopper, Left Pivot (Additive)	-	1	-	-	-
7	as543R	Removable Hopper, Right Pivot (Color)	-	1	-	-	-
8	sr2-2	Pop Rivet, 1/8" Dia. 1/8 - 3/16 grip	8	12	32	32	32
9	psa13	Sight Glass, MPI Logo, Polycarb	4	6	16	16	16
10	as2x3	Slide Valve Assy, 2" x 3"	-	2	4	4	6
11	as5536	Slider & Clevis Assy, 2 x 3 Valve	-	2	4	4	6
12	ncy2	Air Cylinder, 1" Bore, 2" Stroke, 2-way	-	2	4	4	6
13	as3x6	Slide Valve Assy, 3" x 6"	-	-	-	1	-
14	as5538	Slider & Clevis Assy, 3 x 6 Valve	-	-	-	1	-
15	as52	Slide Valve Assy, 3" Round	2	-	-	-	-
16	as540	Slider & Clevis Assembly, 3" Round	2	-	-	-	-
17	ncy15	Air Cylinder, 1" Bore, 3" Stroke, 2-way	2	-	-	1	-
18	fpc-532	Fitting, Straight Male, 1/8" MPT x 5/32	2	2	4	5	4
19	fpe-532	Fitting, Swivel Elbow Male, 1/8" MPT x 5/32"	2	2	4	5	8

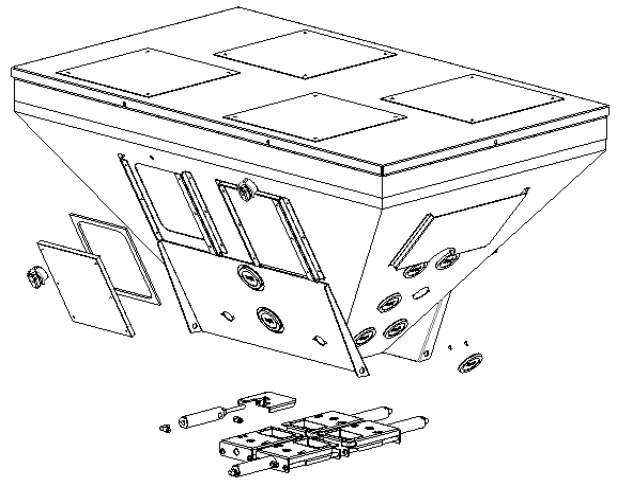
20	alc-4	Load Cell Assembly, WSB-400	1	1	1	1	1
21	as05-04	Weigh Bin, WSB-400	1	1	1	1	1
22	ncy19	Air Cylinder for Weigh Bin	1	1	1	1	1
23	508-2	Weigh Bin Dump Flap, WSB-200	1	1	1	1	1
24	as526H	Weigh Bin Holder Assembly	1	1	1	1	1
25	fpgF-2	Weigh Bin Coupler Body 1/8 MPT	1	1	1	1	1
26	fbc52	Weigh Bin Female Connector, 1/8 FPT x 5/32 PTL	1	1	1	1	1

27	esle	Safety Interlock Switch & Key	1	1	1	1	1
28	as583-4	Hinged Door Assembly, WSB-400	1	1	1	1	1
29	583-4	Mix Chamber Door, WSB-400	1	1	1	1	1
30	581-4E	Hinged Perspex Front Window, WSB-400	1	1	1	1	1
31	582-4E	Fixed Rear Perspex Window, WSB-400	1	1	1	1	1
32	hl04	Draw Latch	3	3	3	3	3

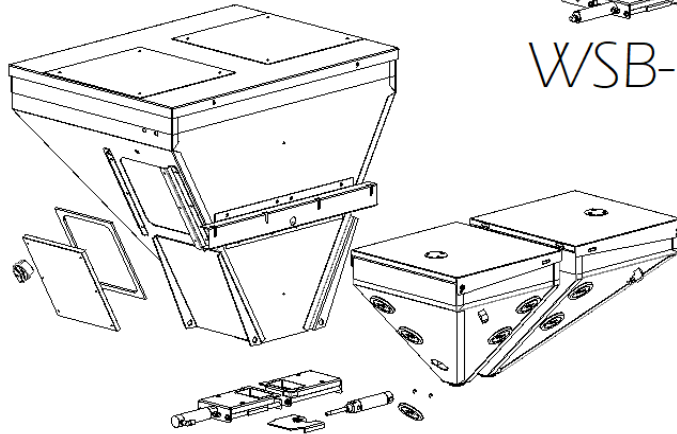
33	525-4W	Mix Blade, WSB-400	1	1	1	1	1
34	518-4	Mix Chamber Saddle, WSB-400	1	1	1	1	1
35	asps-01A	30mm Level Sensor, Twist-Loc Plug, 19" Cable	1	1	1	1	1
36	m6z818	Mix Motor 30RPM 230V	1	1	1	1	1
37	as06-22	Solenoid Tray Assembly 4-Segment 230V	1	1	1	1	1
38	as06-42	Solenoid Tray Assembly 6-Segment 230V	-	1	1	-	-
39	as06-62	Solenoid Tray Assembly 8-Segment 230V	-	-	-	1	1



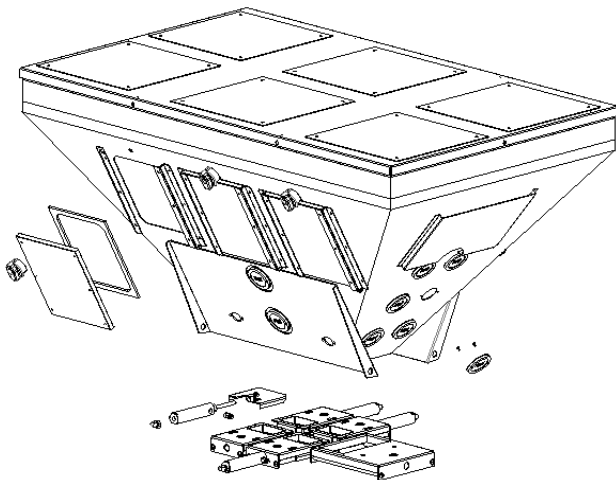
WSB-420



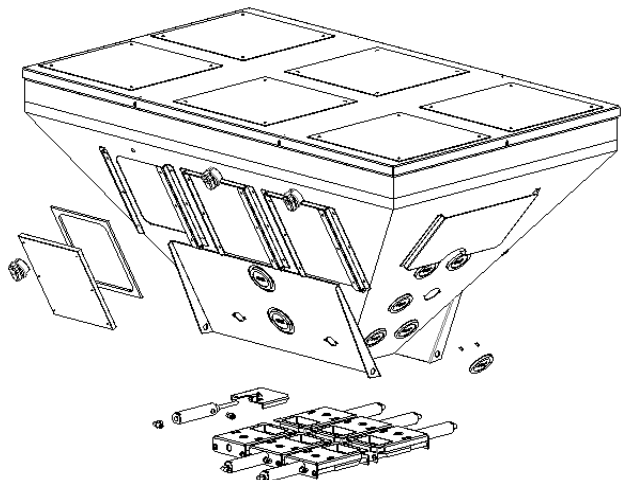
WSB-440



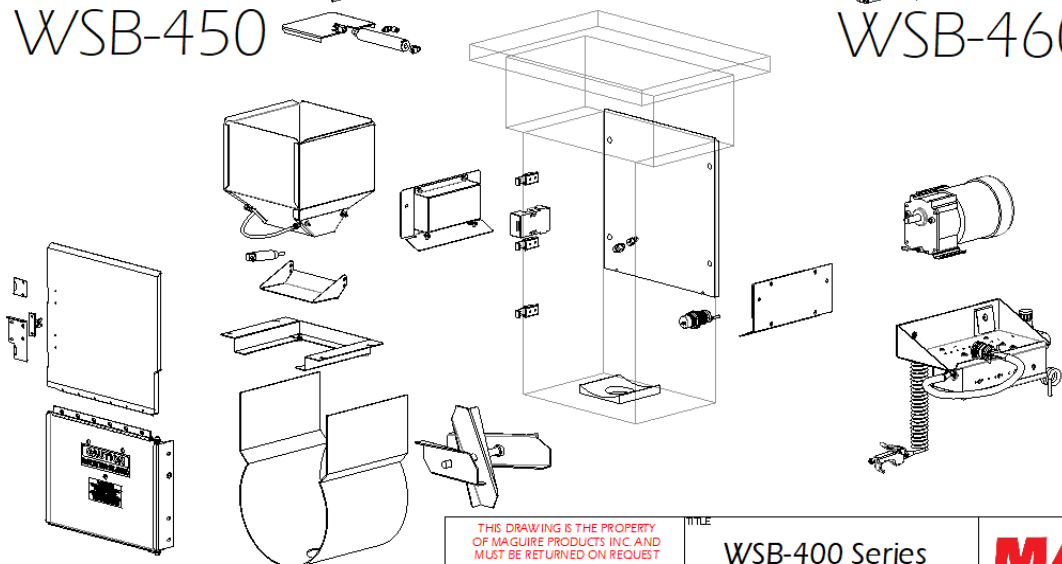
WSB-440R



WSB-450



WSB-460



THIS DRAWING IS THE PROPERTY OF MAGUIRE PRODUCTS INC. AND MUST BE RETURNED ON REQUEST IF MUST NOT BE COPIED OR PASSED TO A THIRD PARTY. DRAWING IS NOT TO SCALE.

TITLE		WSB-400 Series	
DRAWN	FF	DATE	12/11/2017

**MAGUIRE**<sup>®</sup>  
Intelligent Simplicity

# WSB-420

Item	Code	Description	Quantity
3	505-1WG	Hopper Window Gasket 4"x6"	4
4	505-1W	Hopper Window 4"x6"	4
5	as505-K	Knob Assembly, WSB Hopper Window, Red	4
8	sr2-2	Pop Rivet, 1/8" Dia. 1/8 - 3/16 grip	8
9	psa13	Sight Glass, MPI Logo, Polycarb	4

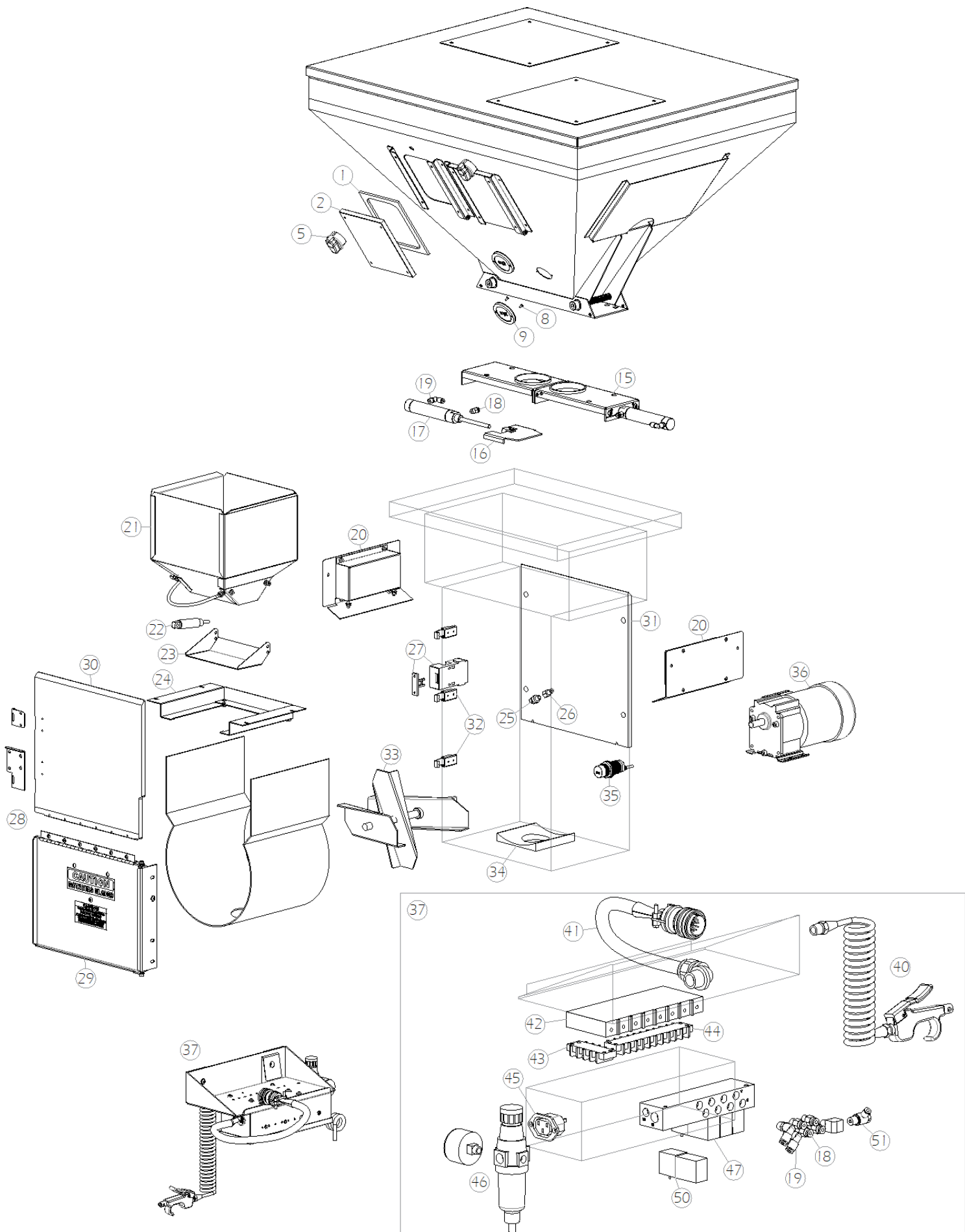
15	as52	Slide Valve Assy, 3" Round	2
16	as540	Slider & Clevis Assembly, 3" Round	2
17	ncy15	Air Cylinder, 1" Bore, 3" Stroke, 2-way	2
18	fpc-532	Fitting, Straight Male, 1/8" MPT x 5/32	2
19	fpe-532	Fitting, Swivel Elbow Male, 1/8" MPT x 5/32"	2

20	alc-4	Load Cell Assembly, WSB-400	1
21	as05-04	Weigh Bin, WSB-400	1
22	ncy19	Air Cylinder for Weigh Bin	1
23	508-2	Weigh Bin Dump Flap, WSB-200	1
24	as526H	Weigh Bin Holder Assembly	1
25	fpgF-2	Weigh Bin Coupler Body 1/8 MPT	1
26	fbc52	Weigh Bin Female Connector, 1/8 FPT x 5/32 PTL	1

27	esle	Safety Interlock Switch & Key	1
28	as583-2	Hinged Door Assembly, WSB-200	1
29	583-4	Mix Chamber Door, WSB-400	1
30	581-4E	Hinged Perspex Front Window, WSB-400	1
31	582-4E	Fixed Rear Perspex Window, WSB-400	1
32	hl04	Draw Latch	3

33	525-4W	Mix Blade, WSB-400	1
34	518-4	Mix Chamber Saddle, WSB-400	1
35	asps-01A	30mm Level Sensor, Twist-Loc Plug, 19" Cable	1
36	m6z818	Mix Motor 30RPM 230V	1

37	as06-22	Solenoid Tray Assembly 4-Segment 230V	1
40	n/12BG	Recoil Hose & Air Blow Gun 1/4" NPT	1
41	asam117	17 Pin Amphenol Connector Assembly	1
42	564-AB	Actuator Block	1
43	ehc13-04	Terminal Strip, 4-circuit, 20A 300V	1
44	ehc13-10	Terminal Strip, 10-circuit, 20A 300V	1
45	epge	Receptacle Female 3-pin Euro	1
46	nfr	Air filter-Regulator-Gauge-40cfm (WSB)	1
47	nv24-4	Solenoid Valve Set of 4, 24Volt	1
50	nv24-sol	Solenoid Valve Single 24Volt	4
51	nv08-05	Weigh Bin Flow Control, 1/8 MPT x 5/32PTL	1



<p>THIS DRAWING IS THE PROPERTY OF MAGUIRE PRODUCTS INC. AND MUST BE RETURNED ON REQUEST IF MUST NOT BE COPIED OR PASSED TO A THIRD PARTY. DRAWING IS NOT TO SCALE.</p>	TITLE	
	WSB-420	
DRAWN	FF	DATE 12/11/2017
<p><b>MAGUIRE</b><sup>®</sup> Intelligent Simplicity</p>		

# WSB-440R

Item	Code	Description	Quantity
1	5560-WG	Hopper Window Gasket 6" x 8"	2
2	5560-W	Hopper Window 6"x8"	2
5	as505-K	Knob Assembly, WSB Hopper Window, Red	2
6	as543L	Removable Hopper, Left Pivot (Additive)	1
7	as543R	Removable Hopper, Right Pivot (Color)	1
8	sr2-2	Pop Rivet, 1/8" Dia. 1/8 - 3/16 grip	12
9	psa13	Sight Glass, MPI Logo, Polycarb	6

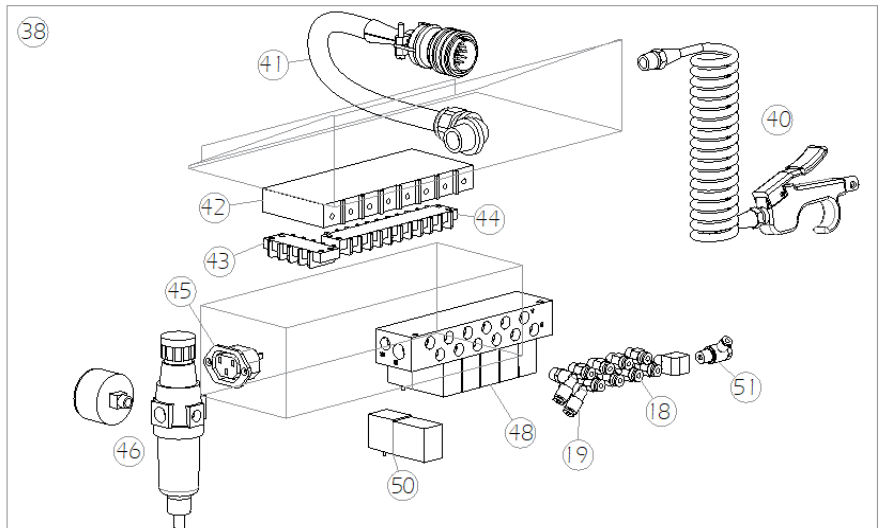
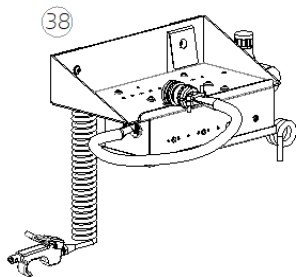
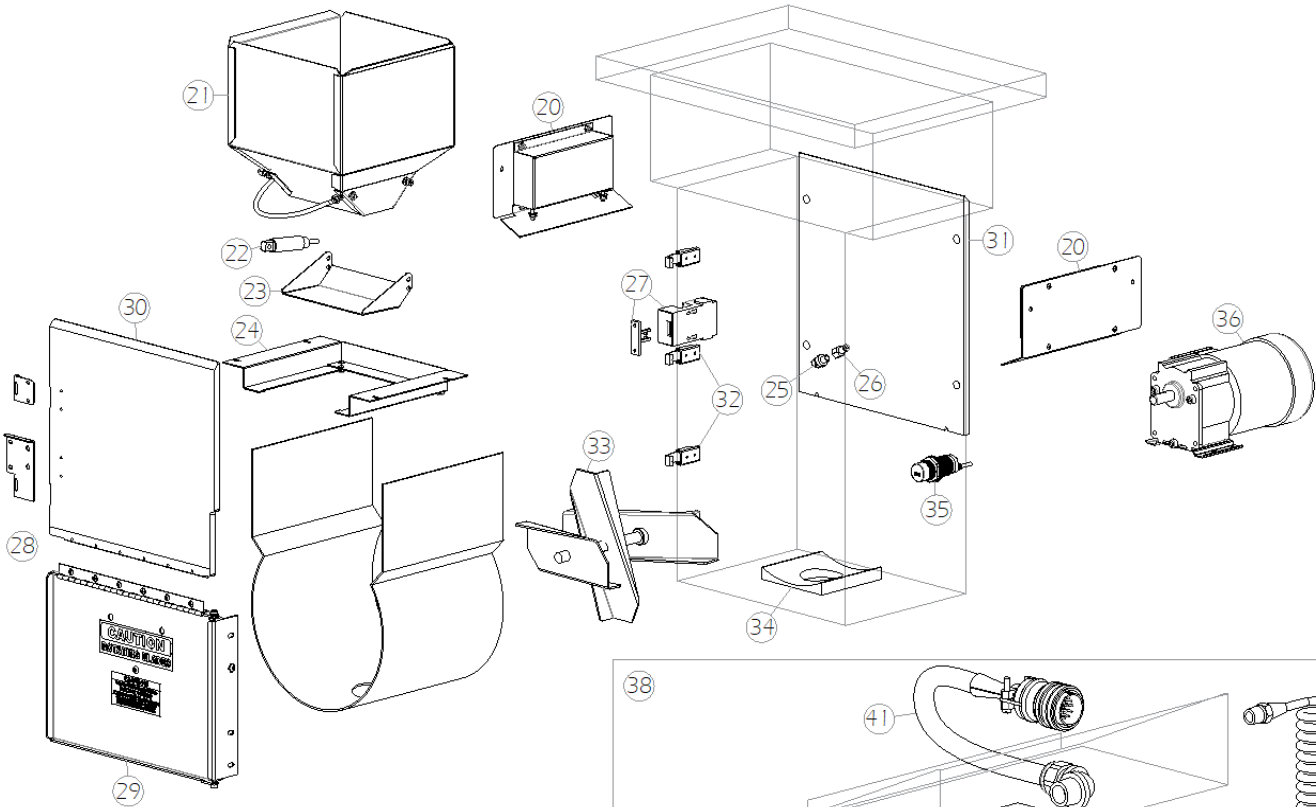
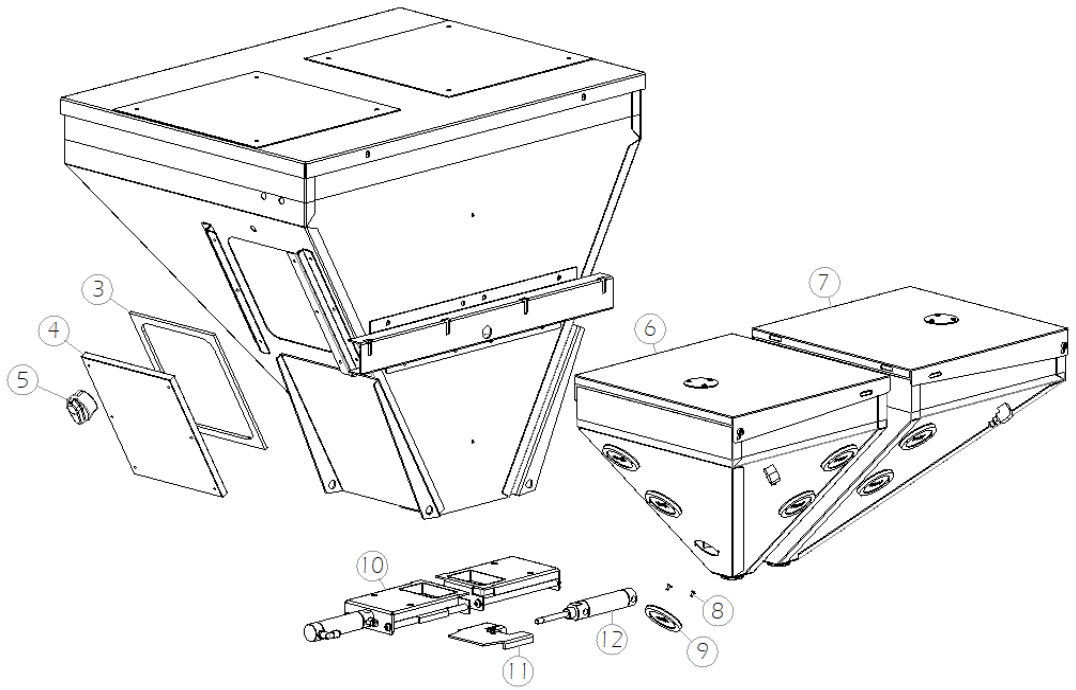
10	as2x3	Slide Valve Assy, 2" x 3"	2
11	as5536	Slider & Clevis Assy, 2 x 3 Valve	2
12	ncy2	Air Cylinder, 1" Bore, 2" Stroke, 2-way	2
18	fpc-532	Fitting, Straight Male, 1/8" MPT x 5/32	2
19	fpe-532	Fitting, Swivel Elbow Male, 1/8" MPT x 5/32"	2

20	alc-4	Load Cell Assembly, WSB-400	1
21	as05-04	Weigh Bin, WSB-400	1
22	ncy19	Air Cylinder for Weigh Bin	1
23	508-2	Weigh Bin Dump Flap, WSB-200	1
24	as526H	Weigh Bin Holder Assembly	1
25	fpqF-2	Weigh Bin Coupler Body 1/8 MPT	1
26	fbc52	Weigh Bin Female Connector, 1/8 FPT x 5/32 PTL	1

27	esle	Safety Interlock Switch & Key	1
28	as583-2	Hinged Door Assembly, WSB-200	1
29	583-4	Mix Chamber Door, WSB-400	1
30	581-4E	Hinged Perspex Front Window, WSB-400	1
31	582-4E	Fixed Rear Perspex Window, WSB-400	1
32	hl04	Draw Latch	3

33	525-4W	Mix Blade, WSB-400	1
34	518-4	Mix Chamber Saddle, WSB-400	1
35	asps-01A	30mm Level Sensor, Twist-Loc Plug, 19" Cable	1
36	m6z818	Mix Motor 30RPM 230V	1

38	as06-42	Solenoid Tray Assembly 6-Segment 230V	1
40	n/12BG	Recoil Hose & Air Blow Gun 1/4" NPT	1
41	asam117	17 Pin Amphenol Connector Assembly	1
42	564-AB	Actuator Block	1
43	ehc13-04	Terminal Strip, 4-circuit, 20A 300V	1
44	ehc13-10	Terminal Strip, 10-circuit, 20A 300V	1
45	epge	Receptacle Female 3-pin Euro	1
46	nfr	Air filter-Regulator-Gauge-40cfm (WSB)	1
48	nv24-6	Solenoid Valve Set of 6, 24Volt	1
50	nv24-sol	Solenoid Valve Single 24Volt	6
51	nv08-05	Weigh Bin Flow Control, 1/8 MPT x 5/32PTL	1

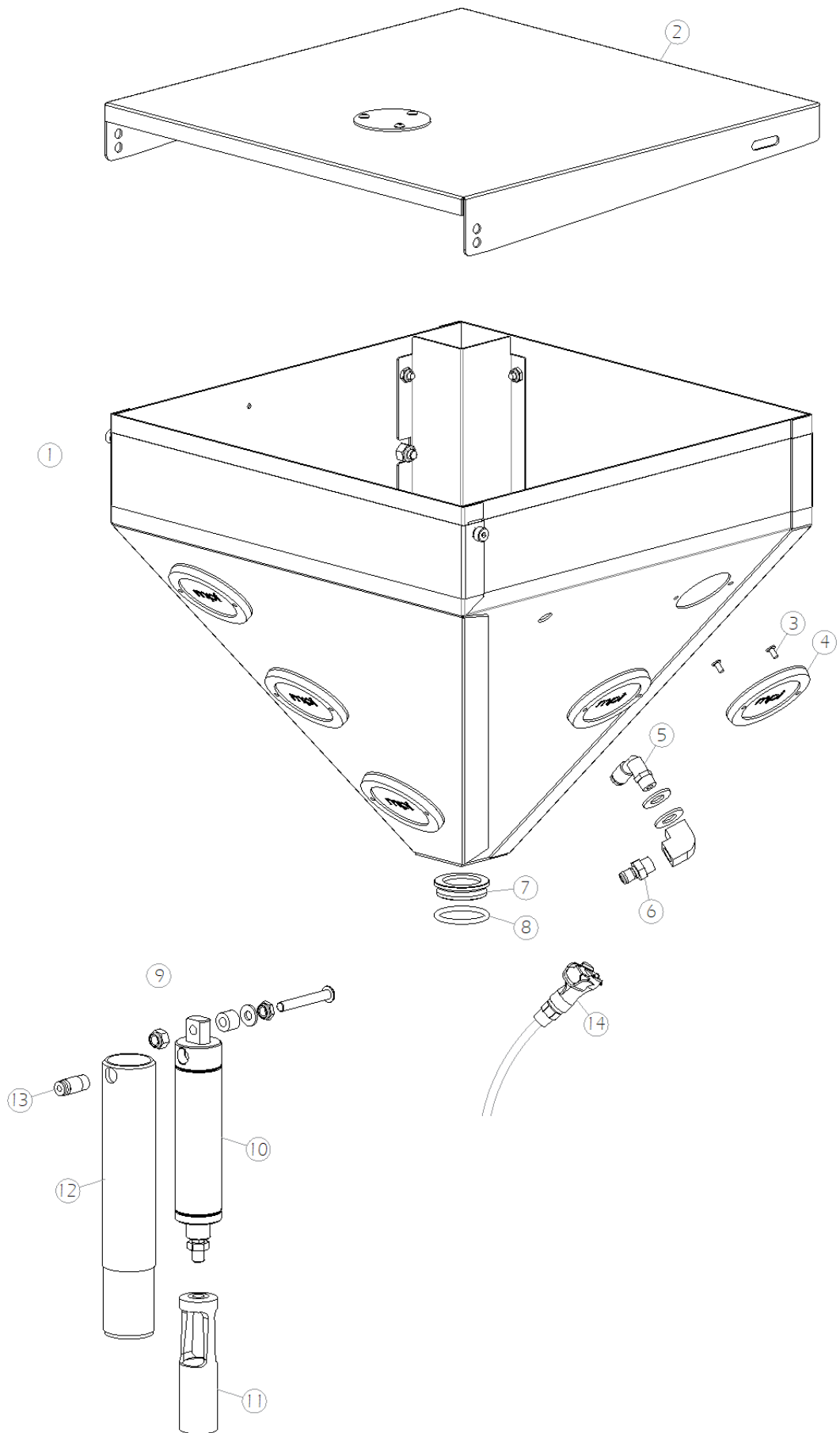


<p>THIS DRAWING IS THE PROPERTY OF MAGUIRE PRODUCTS INC. AND MUST BE RETURNED ON REQUEST IF MUST NOT BE COPIED OR PASSED TO A THIRD PARTY. DRAWING IS NOT TO SCALE.</p>	<p>TITLE</p> <p><b>WSB-440R</b></p>		<p><b>MAGUIRE®</b> Intelligent Simplicity</p>
	<p>DRAWN</p> <p>FF</p>	<p>DATE</p> <p>12/11/2017</p>	

## Removable Hopper - Pivot Valve

Item	Code	Description	Quantity
1	as543L	Removable Hopper, Left Pivot (Additive)	1
1	as543R	Removable Hopper, Right Pivot (Color)	1
2	505-1RL	Removable Hopper Lid, Hinged	1
3	sr2-2	Pop Rivet, 1/8" Dia. 1/8 - 3/16 grip	10
4	psa13	Sight Glass, MPI Logo, Polycarb	5
5	fpe-532	Fitting, Swivel Elbow Male, 1/8" MPT x 5/32"	1
6	fpqM	Quick Connect, male, 1/8 MPT	1
7	305-T10	1" Valve Bushing Insert	1
8	go-214v	1" O-ring	1
9	as333S10	1" Pivot Valve Assembly	1
10	ncy36	Air Cylinder, 1" Bore, 1.5" stroke, Spring Return	1
11	333-10S	1" Pivot Valve	1
12	as330-1L	1" Skirted Hood Assembly	1
13	fpc532-1	Connector, Internal Hex, 1/8 MPT x 5/32 Press-In	1
14	fpqF	Coupler Body, Plastic, 5/32 Tube Shutoff	1

\*Left hopper show in picture



<p>THIS DRAWING IS THE PROPERTY OF MAGUIRE PRODUCTS INC. AND MUST BE RETURNED ON REQUEST IF MUST NOT BE COPIED OR PASSED TO A THIRD PARTY. DRAWING IS NOT TO SCALE.</p>	<p>TITLE <b>Removable Hopper Pivot Valve</b></p>		<p><b>MAGUIRE</b><sup>®</sup> Intelligent Simplicity</p>
	<p>DRAWN FF</p>	<p>DATE 12/11/2017</p>	



# WSB-440

Item	Code	Description	Quantity
1	5560-WG	Hopper Window Gasket 6" x 8"	4
2	5560-W	Hopper Window 6"x8"	4
5	as505-K	Knob Assembly, WSB Hopper Window, Red	4
8	sr2-2	Pop Rivet, 1/8" Dia. 1/8 - 3/16 grip	32
9	psa13	Sight Glass, MPI Logo, Polycarb	16

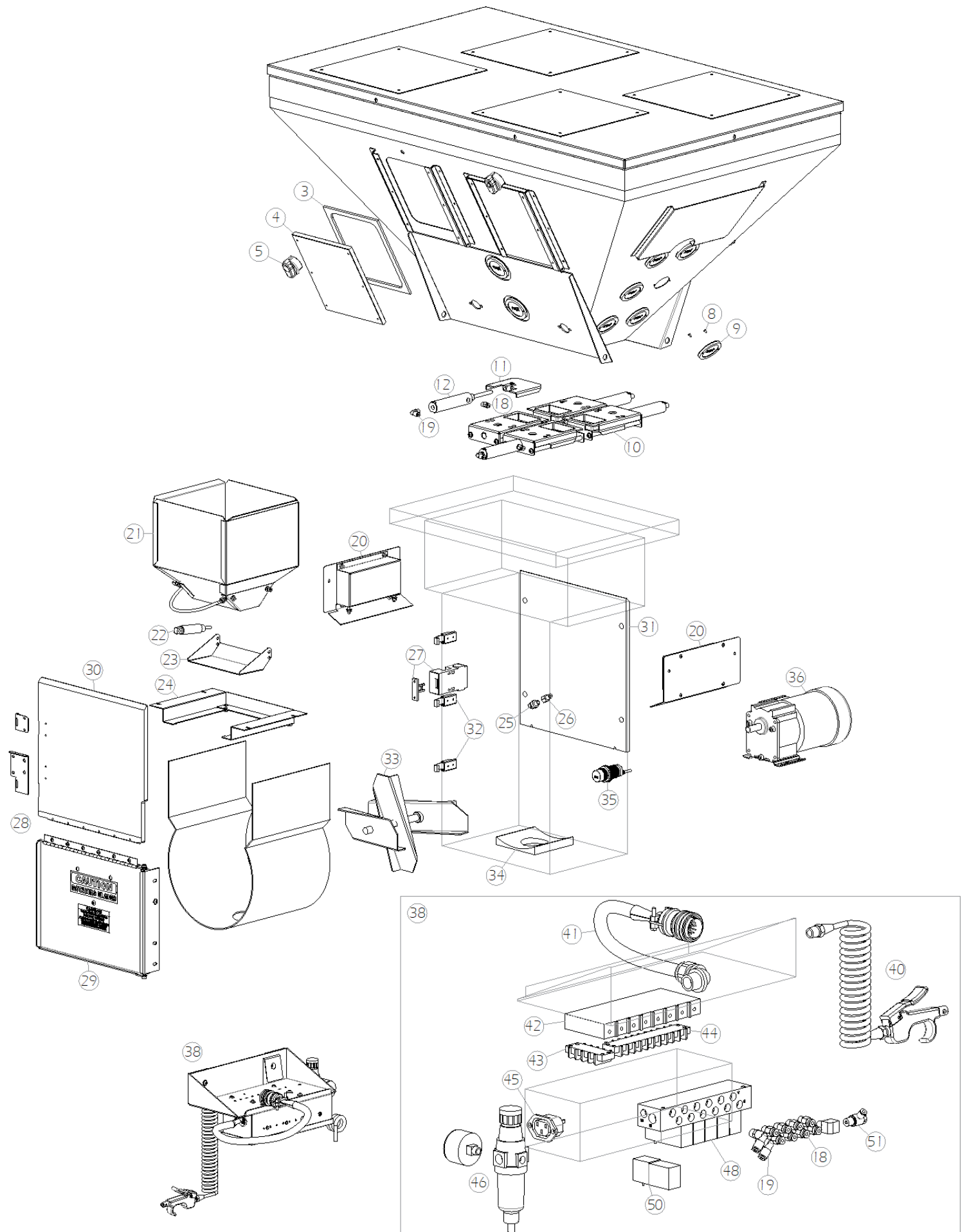
10	as2x3	Slide Valve Assy, 2" x 3"	4
11	as5536	Slider & Clevis Assy, 2 x 3 Valve	4
12	ncy2	Air Cylinder, 1" Bore, 2" Stroke, 2-way	4
18	fpc-532	Fitting, Straight Male, 1/8" MPT x 5/32	4
19	fpe-532	Fitting, Swivel Elbow Male, 1/8" MPT x 5/32"	4

20	alc-4	Load Cell Assembly, WSB-400	1
21	as05-04	Weigh Bin, WSB-400	1
22	ncy19	Air Cylinder for Weigh Bin	1
23	508-2	Weigh Bin Dump Flap, WSB-200	1
24	as526H	Weigh Bin Holder Assembly	1
25	fpgF-2	Weigh Bin Coupler Body 1/8 MPT	1
26	fbc52	Weigh Bin Female Connector, 1/8 FPT x 5/32 PTL	1

27	esle	Safety Interlock Switch & Key	1
28	as583-2	Hinged Door Assembly, WSB-200	1
29	583-4	Mix Chamber Door, WSB-400	1
30	581-4E	Hinged Perspex Front Window, WSB-400	1
31	582-4E	Fixed Rear Perspex Window, WSB-400	1
32	hl04	Draw Latch	3

33	525-4W	Mix Blade, WSB-400	1
34	518-4	Mix Chamber Saddle, WSB-400	1
35	asps-01A	30mm Level Sensor, Twist-Loc Plug, 19" Cable	1
36	m6z818	Mix Motor 30RPM 230V	1

38	as06-42	Solenoid Tray Assembly 6-Segment 230V	1
40	n/12BG	Recoil Hose & Air Blow Gun 1/4" NPT	1
41	asam117	17 Pin Amphenol Connector Assembly	1
42	564-AB	Actuator Block	1
43	ehc13-04	Terminal Strip, 4-circuit, 20A 300V	1
44	ehc13-10	Terminal Strip, 10-circuit, 20A 300V	1
45	epge	Receptacle Female 3-pin Euro	1
46	nfr	Air filter-Regulator-Gauge-40cfm (WSB)	1
48	nv24-6	Solenoid Valve Set of 6, 24Volt	1
50	nv24-sol	Solenoid Valve Single 24Volt	6
51	nv08-05	Weigh Bin Flow Control, 1/8 MPT x 5/32PTL	1



<p>THIS DRAWING IS THE PROPERTY OF MAGUIRE PRODUCTS INC. AND MUST BE RETURNED ON REQUEST IF MUST NOT BE COPIED OR PASSED TO A THIRD PARTY. DRAWING IS NOT TO SCALE.</p>	<p>TITLE <b>WSB-440</b></p>		<p><b>MAGUIRE</b><sup>®</sup> Intelligent Simplicity</p>
	<p>DRAWN FF</p>	<p>DATE 12/11/2017</p>	

# WSB-450

Item	Code	Description	Quantity
1	5560-WG	Hopper Window Gasket 6" x 8"	6
2	5560-W	Hopper Window 6"x8"	6
5	as505-K	Knob Assembly, WSB Hopper Window, Red	6
8	sr2-2	Pop Rivet, 1/8" Dia. 1/8 - 3/16 grip	32
9	psa13	Sight Glass, MPI Logo, Polycarb	16

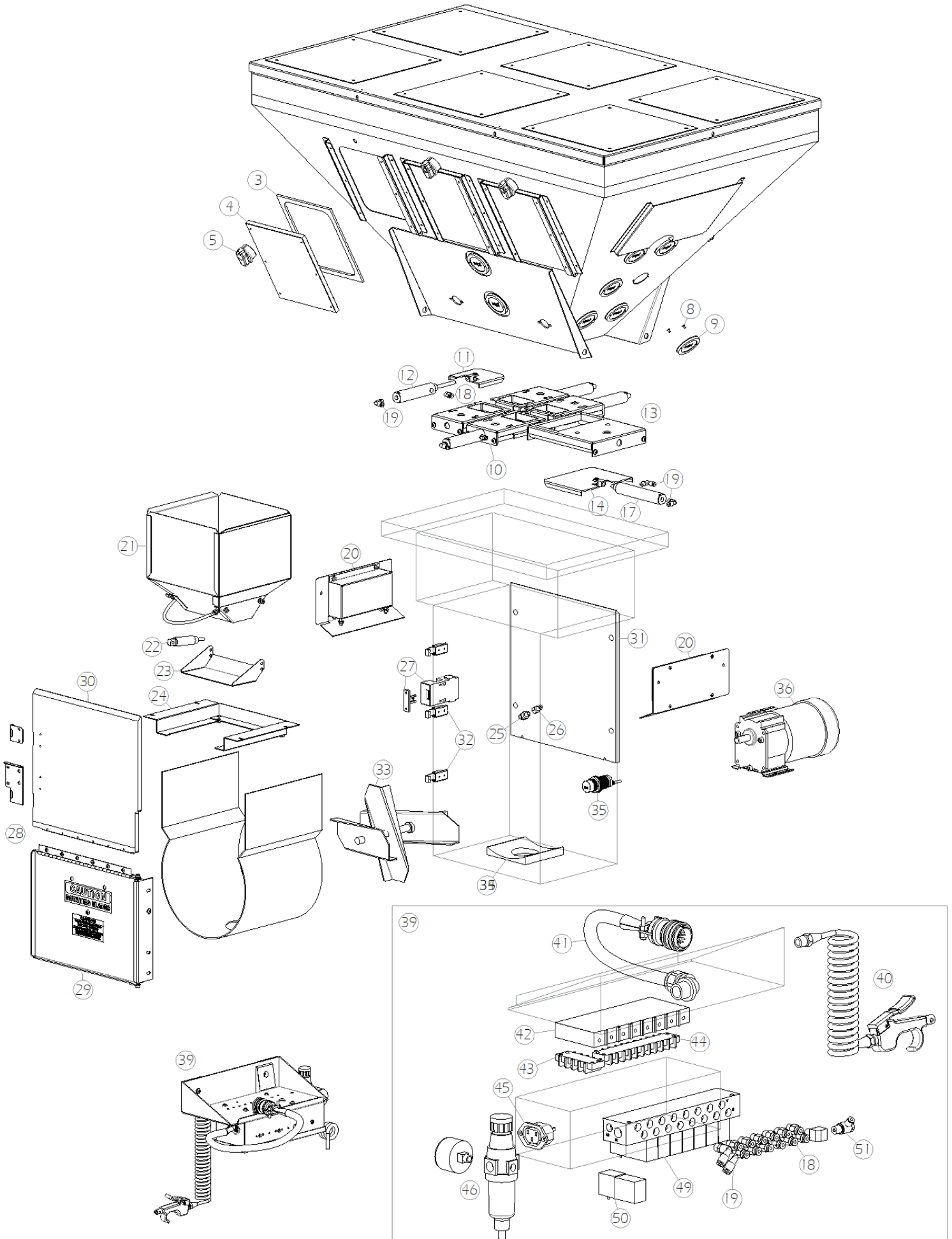
10	as2x3	Slide Valve Assy, 2" x 3"	4
11	as5536	Slider & Clevis Assy, 2 x 3 Valve	4
12	ncy2	Air Cylinder, 1" Bore, 2" Stroke, 2-way	4
13	as3x6	Slide Valve Assy, 3" x 6"	1
14	as5538	Slider & Clevis Assy, 3 x 6 Valve	1
17	ncy15	Air Cylinder, 1" Bore, 3" Stroke, 2-way	1
18	fpc-532	Fitting, Straight Male, 1/8" MPT x 5/32	5
19	fpe-532	Fitting, Swivel Elbow Male, 1/8" MPT x 5/32"	5

20	alc-4	Load Cell Assembly, WSB-400	1
21	as05-04	Weigh Bin, WSB-400	1
22	ncy19	Air Cylinder for Weigh Bin	1
23	508-2	Weigh Bin Dump Flap, WSB-200	1
24	as526H	Weigh Bin Holder Assembly	1
25	fpqF-2	Weigh Bin Coupler Body 1/8 MPT	1
26	fbc52	Weigh Bin Female Connector, 1/8 FPT x 5/32 PTL	1

27	esle	Safety Interlock Switch & Key	1
28	as583-2	Hinged Door Assembly, WSB-200	1
29	583-4	Mix Chamber Door, WSB-400	1
30	581-4E	Hinged Perspex Front Window, WSB-400	1
31	582-4E	Fixed Rear Perspex Window, WSB-400	1
32	hl04	Draw Latch	3

33	525-4W	Mix Blade, WSB-400	1
34	518-4	Mix Chamber Saddle, WSB-400	1
35	asps-01A	30mm Level Sensor, Twist-Loc Plug, 19" Cable	1
36	m6z818	Mix Motor 30RPM 230V	1

39	as06-62	Solenoid Tray Assembly 8-Segment 230V	1
40	n/12BG	Recoil Hose & Air Blow Gun 1/4" NPT	1
41	asam117	17 Pin Amphenol Connector Assembly	1
42	564-AB	Actuator Block	1
43	ehc13-04	Terminal Strip, 4-circuit, 20A 300V	1
44	ehc13-10	Terminal Strip, 10-circuit, 20A 300V	1
45	epge	Receptacle Female 3-pin Euro	1
46	nfr	Air filter-Regulator-Gauge-40cfm (WSB)	1
49	nv24-8	Solenoid Valve Set of 8, 24Volt	1
50	nv24-sol	Solenoid Valve Single 24Volt	8
51	nv08-05	Weigh Bin Flow Control, 1/8 MPT x 5/32PTL	1



<p>THIS DRAWING IS THE PROPERTY OF MAGUIRE PRODUCTS INC. AND MUST BE RETURNED ON REQUEST IF MUST NOT BE COPIED OR PASSED TO A THIRD PARTY. DRAWING IS NOT TO SCALE.</p>	<p>TITLE</p> <p><b>WSB-450</b></p>		<p><b>MAGUIRE®</b> Intelligent Simplicity</p>
	<p>DRAWN</p> <p>FF</p>	<p>DATE</p> <p>12/11/2017</p>	

# WSB-460

Item	Code	Description	Quantity
1	5560-WG	Hopper Window Gasket 6" x 8"	6
2	5560-W	Hopper Window 6"x8"	6
5	as505-K	Knob Assembly, WSB Hopper Window, Red	6
8	sr2-2	Pop Rivet, 1/8" Dia. 1/8 - 3/16 grip	32
9	psa13	Sight Glass, MPI Logo, Polycarb	16

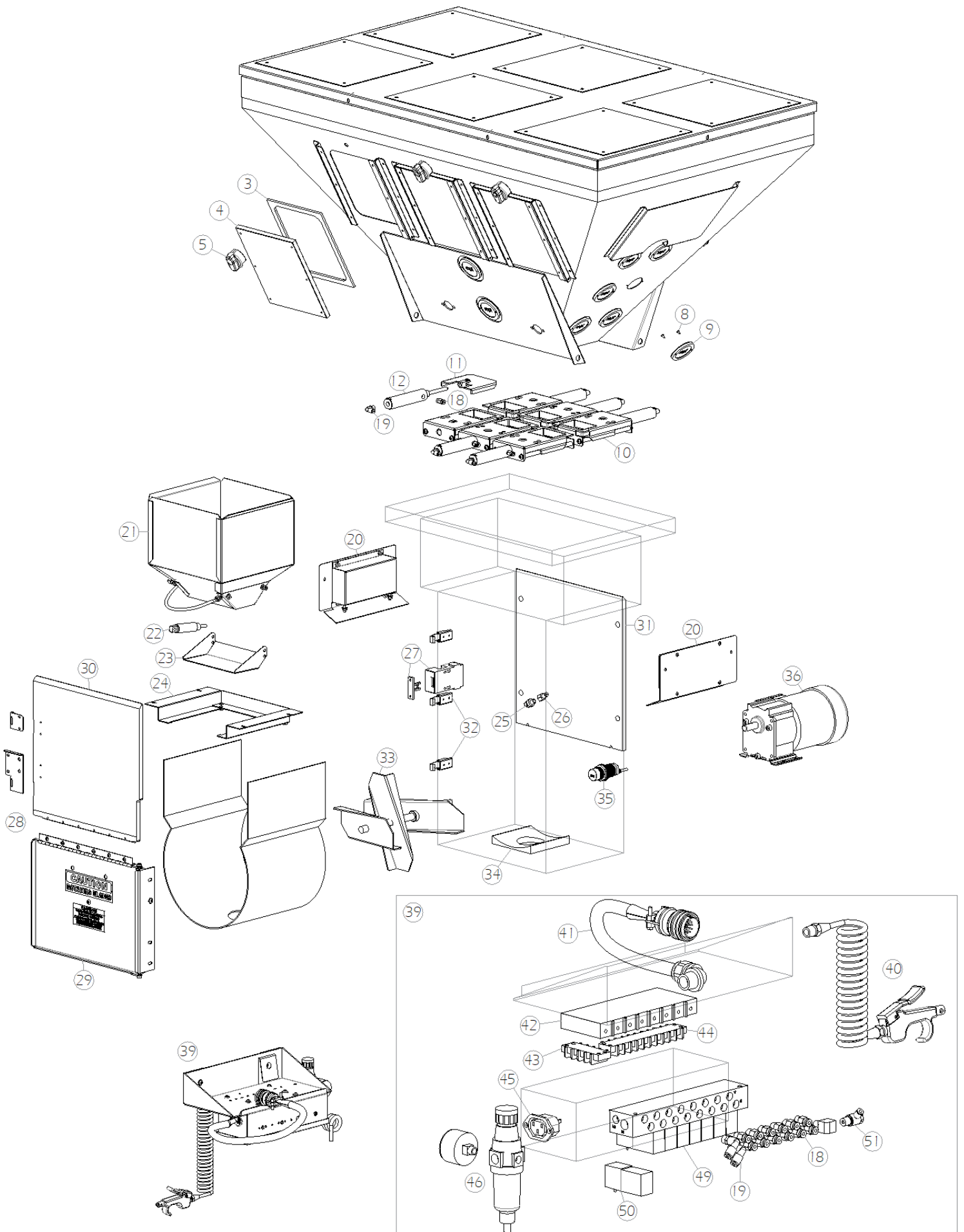
10	as2x3	Slide Valve Assy, 2" x 3"	6
11	as5536	Slider & Clevis Assy, 2 x 3 Valve	6
12	ncy2	Air Cylinder, 1" Bore, 2" Stroke, 2-way	6
18	fpc-532	Fitting, Straight Male, 1/8" MPT x 5/32	6
19	fpe-532	Fitting, Swivel Elbow Male, 1/8" MPT x 5/32"	6

20	alc-4	Load Cell Assembly, WSB-400	1
21	as05-04	Weigh Bin, WSB-400	1
22	ncy19	Air Cylinder for Weigh Bin	1
23	508-2	Weigh Bin Dump Flap, WSB-200	1
24	as526H	Weigh Bin Holder Assembly	1
25	fpqF-2	Weigh Bin Coupler Body 1/8 MPT	1
26	fbc52	Weigh Bin Female Connector, 1/8 FPT x 5/32 PTL	1

27	esle	Safety Interlock Switch & Key	1
28	as583-2	Hinged Door Assembly, WSB-200	1
29	583-4	Mix Chamber Door, WSB-400	1
30	581-4E	Hinged Perspex Front Window, WSB-400	1
31	582-4E	Fixed Rear Perspex Window, WSB-400	1
32	hl04	Draw Latch	3

33	525-4W	Mix Blade, WSB-400	1
34	518-4	Mix Chamber Saddle, WSB-400	1
35	asps-01A	30mm Level Sensor, Twist-Loc Plug, 19" Cable	1
36	m6z818	Mix Motor 30RPM 230V	1

39	as06-62	Solenoid Tray Assembly 8-Segment 230V	1
40	n/12BG	Recoil Hose & Air Blow Gun 1/4" NPT	1
41	asam117	17 Pin Amphenol Connector Assembly	1
42	564-AB	Actuator Block	1
43	ehc13-04	Terminal Strip, 4-circuit, 20A 300V	1
44	ehc13-10	Terminal Strip, 10-circuit, 20A 300V	1
45	epge	Receptacle Female 3-pin Euro	1
46	nfr	Air filter-Regulator-Gauge-40cfm (WSB)	1
49	nv24-8	Solenoid Valve Set of 8, 24Volt	1
50	nv24-sol	Solenoid Valve Single 24Volt	8
51	nv08-05	Weigh Bin Flow Control, 1/8 MPT x 5/32PTL	1



<p>THIS DRAWING IS THE PROPERTY OF MAGUIRE PRODUCTS INC. AND MUST BE RETURNED ON REQUEST IF MUST NOT BE COPIED OR PASSED TO A THIRD PARTY. DRAWING IS NOT TO SCALE.</p>	<p>TITLE</p> <p><b>WSB-460</b></p>		<p><b>MAGUIRE®</b> Intelligent Simplicity</p>
	<p>DRAWN</p> <p>FF</p>	<p>DATE</p> <p>12/11/2017</p>	