

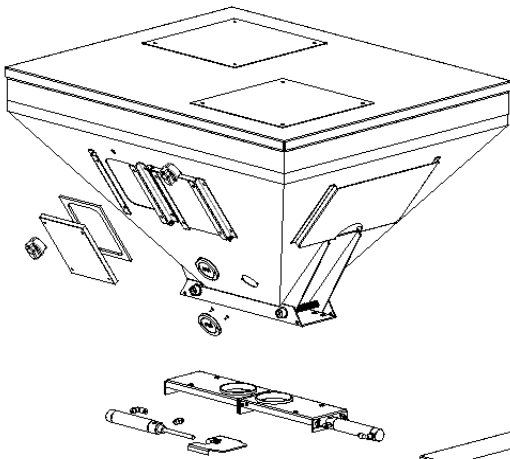
WSB-200 Series

| Item | Code | Description | 220 | 240R | 240 | 250 | 260 |
|------|---------|--|-----|------|-----|-----|-----|
| 1 | 5560-WG | Hopper Window Gasket 6" x 8" | - | 2 | 4 | 6 | 6 |
| 2 | 5560-W | Hopper Window 6"x8" | - | 2 | 4 | 6 | 6 |
| 3 | 505-1WG | Hopper Window Gasket 4"x6" | 4 | - | - | - | - |
| 4 | 505-1W | Hopper Window 4"x6" | 4 | - | - | - | - |
| 5 | as505-K | Knob Assembly, WSB Hopper Window, Red | 4 | 2 | 4 | 6 | 6 |
| 6 | as543L | Removable Hopper, Left Pivot (Additive) | - | 1 | - | - | - |
| 7 | as543R | Removable Hopper, Right Pivot (Color) | - | 1 | - | - | - |
| 8 | sr2-2 | Pop Rivet, 1/8" Dia. 1/8 - 3/16 grip | 8 | 12 | 32 | 32 | 32 |
| 9 | psa13 | Sight Glass, MPI Logo, Polycarb | 4 | 6 | 16 | 16 | 16 |
| 10 | as2x3 | Slide Valve Assy, 2" x 3" | - | 2 | 4 | 4 | 6 |
| 11 | as5536 | Slider & Clevis Assy, 2 x 3 Valve | - | 2 | 4 | 4 | 6 |
| 12 | ncy2 | Air Cylinder, 1" Bore, 2" Stroke, 2-way | - | 2 | 4 | 4 | 6 |
| 13 | as3x6 | Slide Valve Assy, 3" x 6" | - | - | - | 1 | - |
| 14 | as5538 | Slider & Clevis Assy, 3 x 6 Valve | - | - | - | 1 | - |
| 15 | as52 | Slide Valve Assy, 3" Round | 2 | - | - | - | - |
| 16 | as540 | Slider & Clevis Assembly, 3" Round | 2 | - | - | - | - |
| 17 | ncy15 | Air Cylinder, 1" Bore, 3" Stroke, 2-way | 2 | - | - | 1 | - |
| 18 | fpc-532 | Fitting, Straight Male, 1/8" MPT x 5/32 | 2 | 2 | 4 | 5 | 4 |
| 19 | fpe-532 | Fitting, Swivel Elbow Male, 1/8" MPT x 5/32" | 2 | 2 | 4 | 5 | 8 |

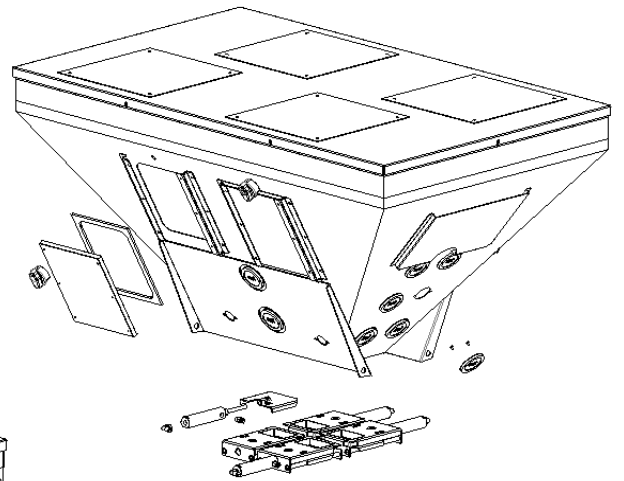
| | | | | | | | |
|----|---------|--|---|---|---|---|---|
| 20 | alc-2 | Load Cell Assembly, WSB-200 | 1 | 1 | 1 | 1 | 1 |
| 21 | as05-02 | Weigh Bin, WSB-200 | 1 | 1 | 1 | 1 | 1 |
| 22 | ncy19 | Air Cylinder for Weigh Bin | 1 | 1 | 1 | 1 | 1 |
| 23 | 508-2 | Weigh Bin Dump Flap, WSB-200 | 1 | 1 | 1 | 1 | 1 |
| 24 | as526H | Weigh Bin Holder Assembly | 1 | 1 | 1 | 1 | 1 |
| 25 | fpgF-2 | Weigh Bin Coupler Body 1/8 MPT | 1 | 1 | 1 | 1 | 1 |
| 26 | fbc52 | Weigh Bin Female Connector, 1/8 FPT x 5/32 PTL | 1 | 1 | 1 | 1 | 1 |

| | | | | | | | |
|----|---------|--------------------------------------|---|---|---|---|---|
| 27 | esle | Safety Interlock Switch & Key | 1 | 1 | 1 | 1 | 1 |
| 28 | as583-2 | Hinged Door Assembly, WSB-200 | 1 | 1 | 1 | 1 | 1 |
| 29 | 583-2 | Mix Chamber Door, WSB-200 | 1 | 1 | 1 | 1 | 1 |
| 30 | 581-2E | Hinged Perspex Front Window, WSB-200 | 1 | 1 | 1 | 1 | 1 |
| 31 | 582-2E | Fixed Rear Perspex Window, WSB-200 | 1 | 1 | 1 | 1 | 1 |
| 32 | hl04 | Draw Latch | 2 | 2 | 2 | 2 | 2 |

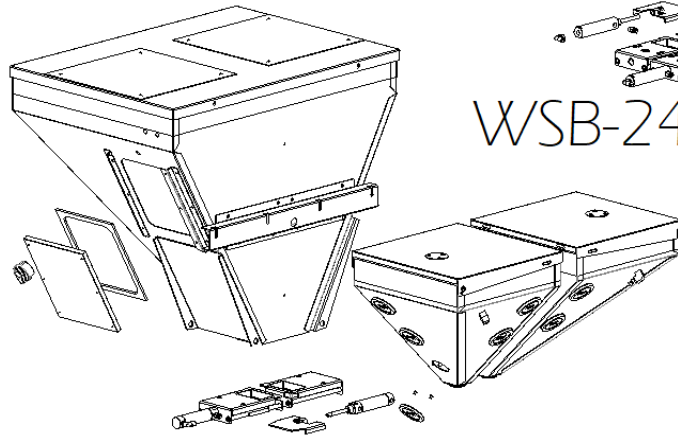
| | | | | | | | |
|----|----------|--|---|---|---|---|---|
| 33 | 525-2W | Mix Blade, WSB-200 | 1 | 1 | 1 | 1 | 1 |
| 34 | 518-2 | Mix Chamber Saddle, WSB-200 | 1 | 1 | 1 | 1 | 1 |
| 35 | asps-01A | 30mm Level Sensor, Twist-Loc Plug, 19" Cable | 1 | 1 | 1 | 1 | 1 |
| 36 | m6z820 | Mix Motor 60RPM 230V | 1 | 1 | 1 | 1 | 1 |
| 37 | as06-22 | Solenoid Tray Assembly 4-Segment 230V | 1 | 1 | 1 | 1 | 1 |
| 38 | as06-42 | Solenoid Tray Assembly 6-Segment 230V | - | 1 | 1 | - | - |
| 39 | as06-62 | Solenoid Tray Assembly 8-Segment 230V | - | - | - | 1 | 1 |



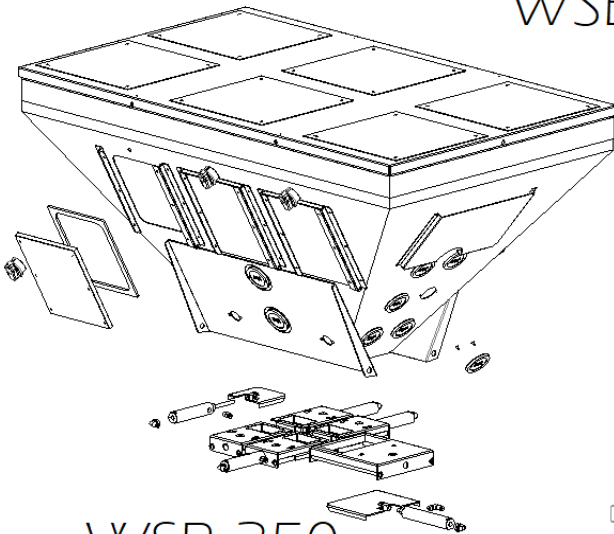
WSB-220



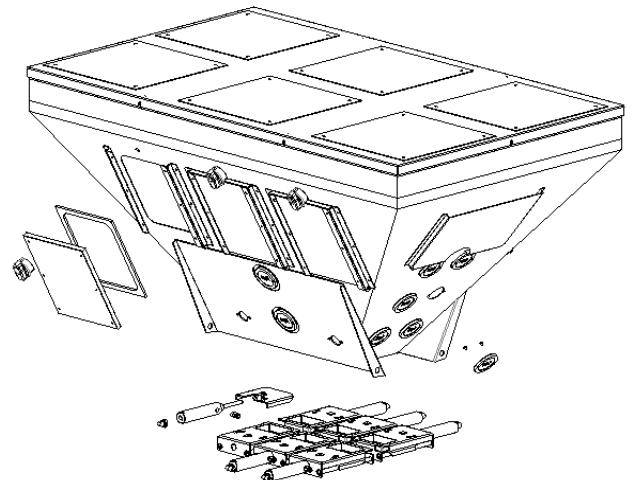
WSB-240



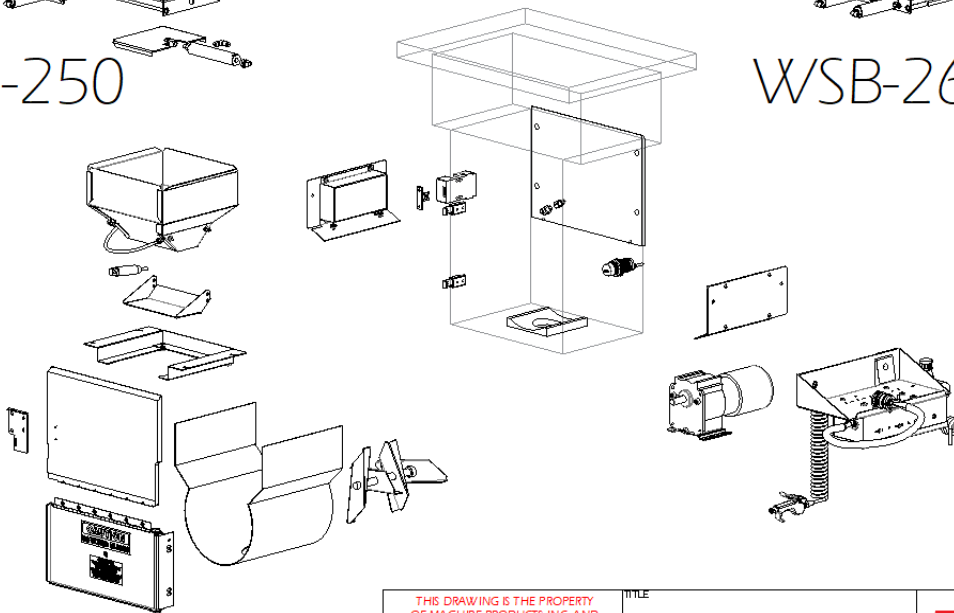
WSB-240R



WSB-250



WSB-260



| | | | |
|---|--|----------------------------|--|
| <p>THIS DRAWING IS THE PROPERTY OF MAGUIRE PRODUCTS INC. AND MUST BE RETURNED ON REQUEST IF MUST NOT BE COPIED OR PASSED TO A THIRD PARTY. DRAWING IS NOT TO SCALE.</p> | <p>TITLE WSB-200 Series</p> | | <p>MAGUIRE[®] Intelligent Simplicity</p> |
| | <p>DRAWN FF</p> | <p>DATE 12/11/2017</p> | |

WSB-220

| Item | Code | Description | Quantity |
|------|---------|---------------------------------------|----------|
| 3 | 505-1WG | Hopper Window Gasket 4"x6" | 4 |
| 4 | 505-1W | Hopper Window 4"x6" | 4 |
| 5 | as505-K | Knob Assembly, WSB Hopper Window, Red | 4 |
| 8 | sr2-2 | Pop Rivet, 1/8" Dia. 1/8 - 3/16 grip | 8 |
| 9 | psa13 | Sight Glass, MPI Logo, Polycarb | 4 |

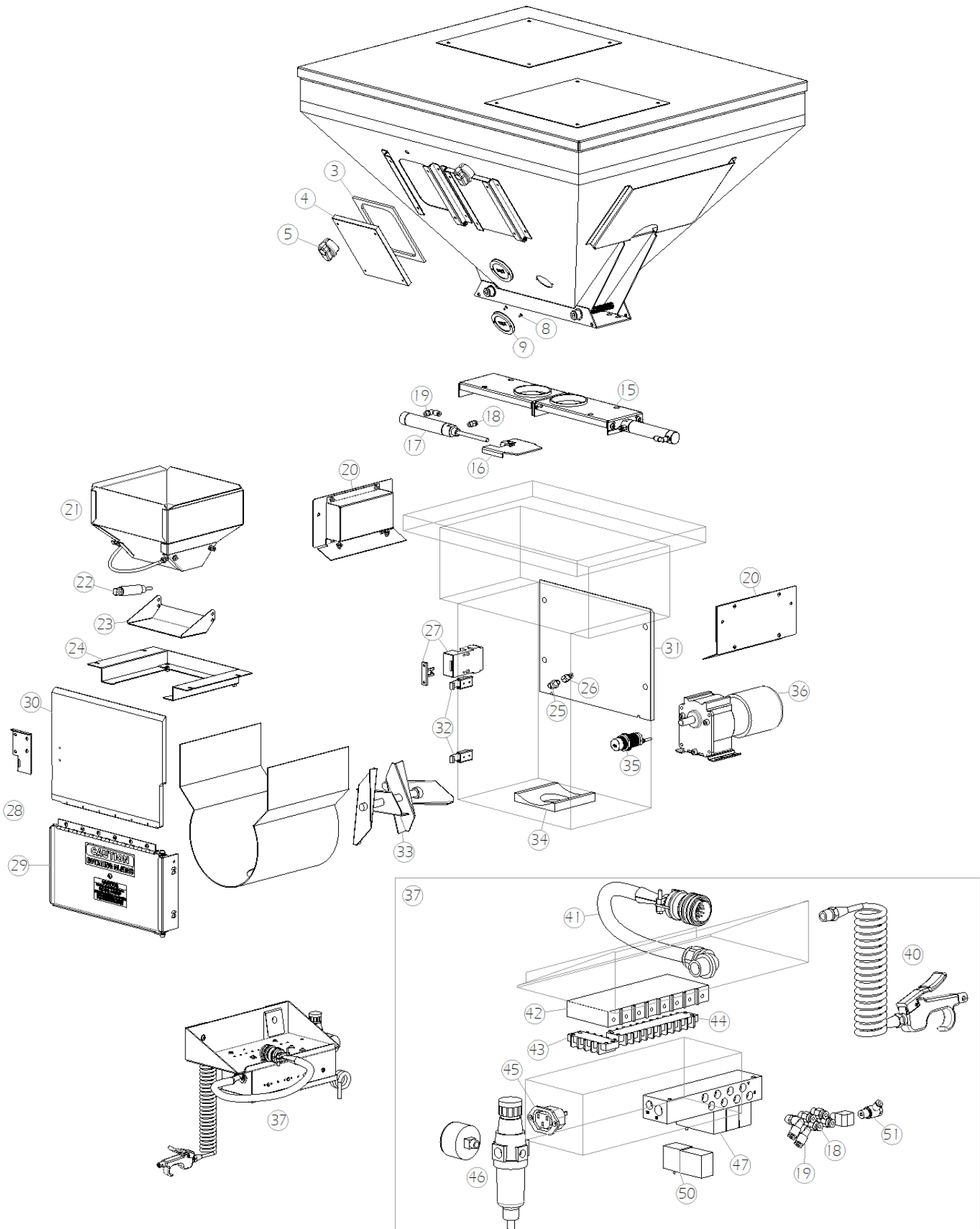
| | | | |
|----|---------|--|---|
| 15 | as52 | Slide Valve Assy, 3" Round | 2 |
| 16 | as540 | Slider & Clevis Assembly, 3" Round | 2 |
| 17 | ncy15 | Air Cylinder, 1" Bore, 3" Stroke, 2-way | 2 |
| 18 | fpc-532 | Fitting, Straight Male, 1/8" MPT x 5/32 | 2 |
| 19 | fpe-532 | Fitting, Swivel Elbow Male, 1/8" MPT x 5/32" | 2 |

| | | | |
|----|---------|--|---|
| 20 | alc-2 | Load Cell Assembly, WSB-200 | 1 |
| 21 | as05-02 | Weigh Bin, WSB-200 | 1 |
| 22 | ncy19 | Air Cylinder for Weigh Bin | 1 |
| 23 | 508-2 | Weigh Bin Dump Flap, WSB-200 | 1 |
| 24 | as526H | Weigh Bin Holder Assembly | 1 |
| 25 | fpgF-2 | Weigh Bin Coupler Body 1/8 MPT | 1 |
| 26 | fbc52 | Weigh Bin Female Connector, 1/8 FPT x 5/32 PTL | 1 |

| | | | |
|----|---------|--------------------------------------|---|
| 27 | esle | Safety Interlock Switch & Key | 1 |
| 28 | as583-2 | Hinged Door Assembly, WSB-200 | 1 |
| 29 | 583-2 | Mix Chamber Door, WSB-200 | 1 |
| 30 | 581-2E | Hinged Perspex Front Window, WSB-200 | 1 |
| 31 | 582-2E | Fixed Rear Perspex Window, WSB-200 | 1 |
| 32 | hl04 | Draw Latch | 2 |

| | | | |
|----|----------|--|---|
| 33 | 525-2W | Mix Blade, WSB-200 | 1 |
| 34 | 518-2 | Mix Chamber Saddle, WSB-200 | 1 |
| 35 | asps-01A | 30mm Level Sensor, Twist-Loc Plug, 19" Cable | 1 |
| 36 | m6z820 | Mix Motor 60RPM 230V | 1 |

| | | | |
|----|----------|---|---|
| 37 | as06-22 | Solenoid Tray Assembly 4-Segment 230V | 1 |
| 40 | n/12BG | Recoil Hose & Air Blow Gun 1/4" NPT | 1 |
| 41 | asam117 | 17 Pin Amphenol Connector Assembly | 1 |
| 42 | 564-AB | Actuator Block | 1 |
| 43 | ehc13-04 | Terminal Strip, 4-circuit, 20A 300V | 1 |
| 44 | ehc13-10 | Terminal Strip, 10-circuit, 20A 300V | 1 |
| 45 | epge | Receptacle Female 3-pin Euro | 1 |
| 46 | nfr | Air filter-Regulator-Gauge-40cfm (WSB) | 1 |
| 47 | nv24-4 | Solenoid Valve Set of 4, 24Volt | 1 |
| 50 | nv24-sol | Solenoid Valve Single 24Volt | 4 |
| 51 | nv08-05 | Weigh Bin Flow Control, 1/8 MPT x 5/32PTL | 1 |



| | | | |
|---|---------------------------------|----------------------------|---|
| <p>THIS DRAWING IS THE PROPERTY OF MAGUIRE PRODUCTS INC. AND MUST BE RETURNED ON REQUEST IF MUST NOT BE COPIED OR PASSED TO A THIRD PARTY. DRAWING IS NOT TO SCALE.</p> | <p>TITLE WSB-220</p> | | <p>MAGUIRE® Intelligent Simplicity</p> |
| | <p>DRAWN FF</p> | <p>DATE 12/11/2017</p> | |

WSB-240R

| Item | Code | Description | Quantity |
|------|---------|---|----------|
| 1 | 5560-WG | Hopper Window Gasket 6" x 8" | 2 |
| 2 | 5560-W | Hopper Window 6"x8" | 2 |
| 5 | as505-K | Knob Assembly, WSB Hopper Window, Red | 2 |
| 6 | as543L | Removable Hopper, Left Pivot (Additive) | 1 |
| 7 | as543R | Removable Hopper, Right Pivot (Color) | 1 |
| 8 | sr2-2 | Pop Rivet, 1/8" Dia. 1/8 - 3/16 grip | 12 |
| 9 | psa13 | Sight Glass, MPI Logo, Polycarb | 6 |

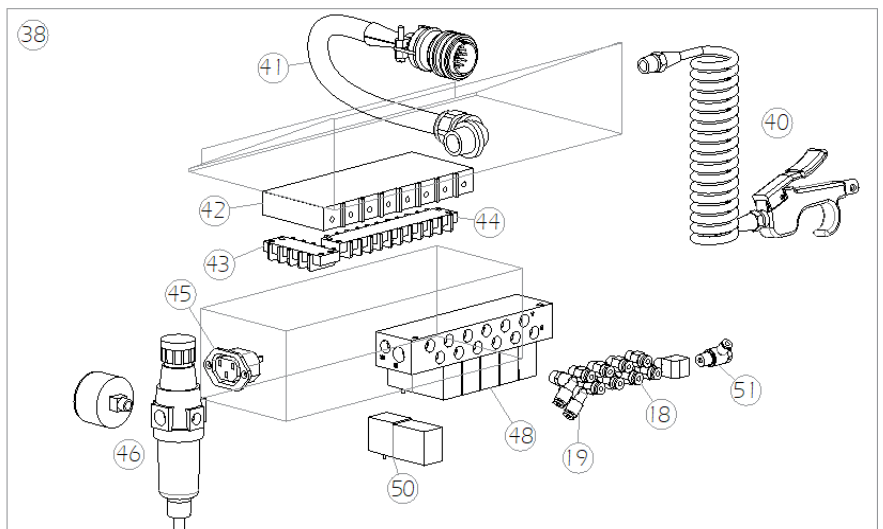
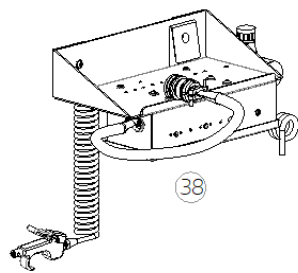
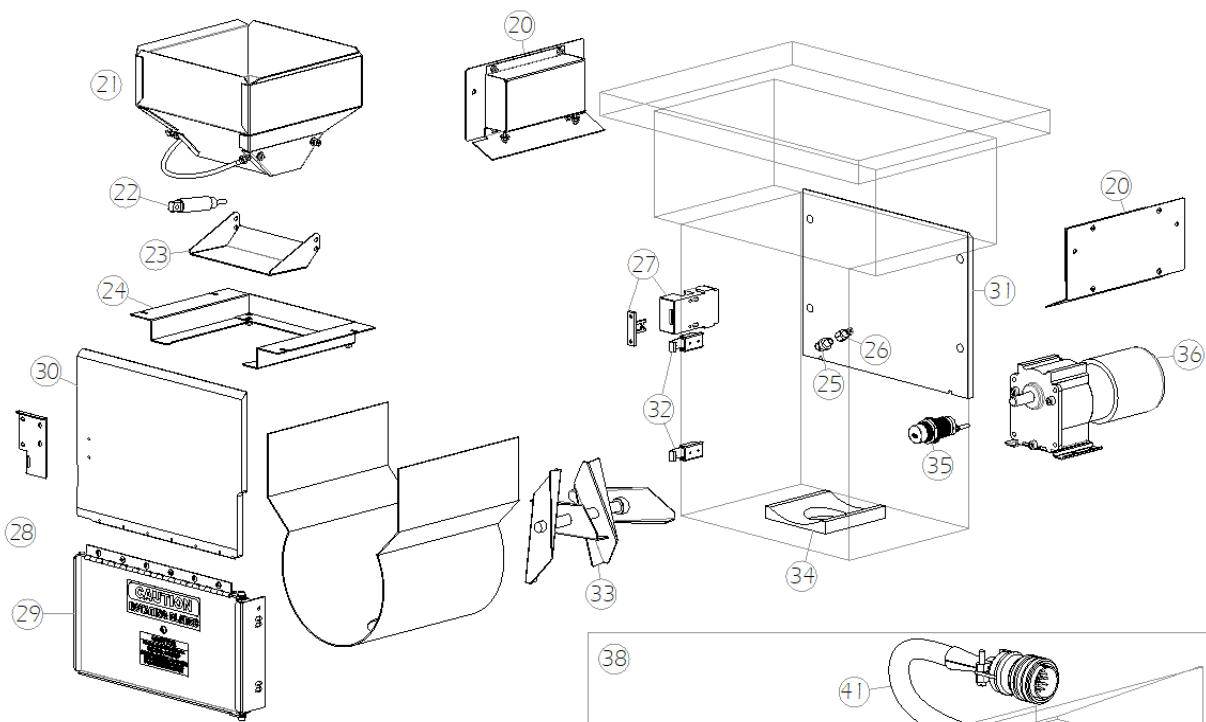
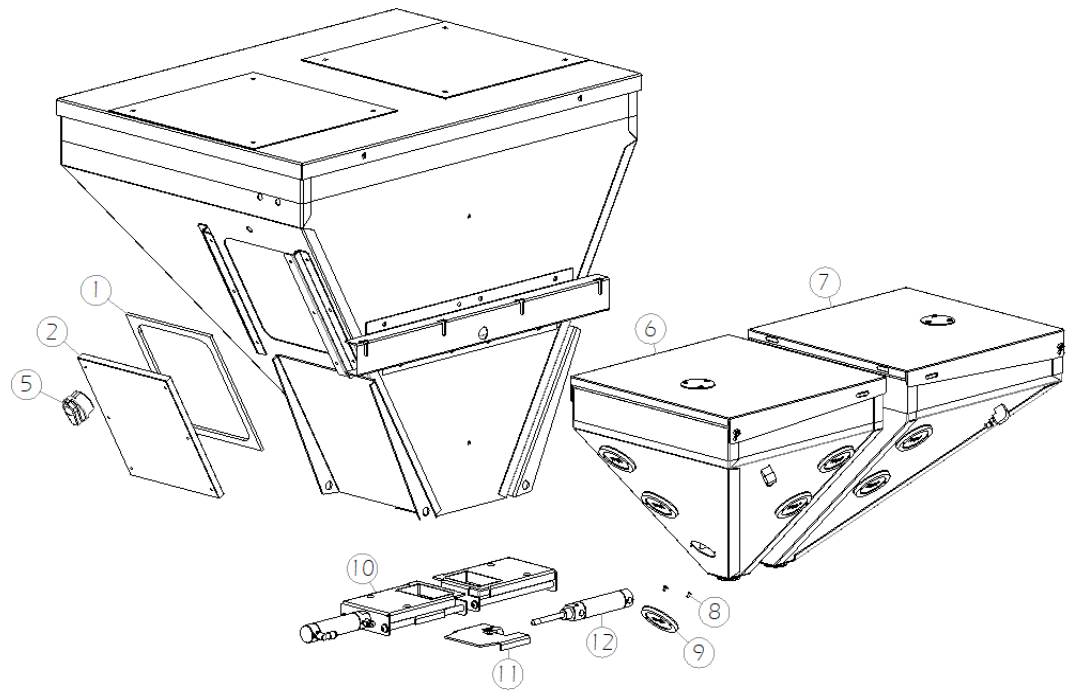
| | | | |
|----|---------|--|---|
| 10 | as2x3 | Slide Valve Assy, 2" x 3" | 2 |
| 11 | as5536 | Slider & Clevis Assy, 2 x 3 Valve | 2 |
| 12 | ncy2 | Air Cylinder, 1" Bore, 2" Stroke, 2-way | 2 |
| 18 | fpc-532 | Fitting, Straight Male, 1/8" MPT x 5/32 | 2 |
| 19 | fpe-532 | Fitting, Swivel Elbow Male, 1/8" MPT x 5/32" | 2 |

| | | | |
|----|---------|--|---|
| 20 | alc-2 | Load Cell Assembly, WSB-200 | 1 |
| 21 | as05-02 | Weigh Bin, WSB-200 | 1 |
| 22 | ncy19 | Air Cylinder for Weigh Bin | 1 |
| 23 | 508-2 | Weigh Bin Dump Flap, WSB-200 | 1 |
| 24 | as526H | Weigh Bin Holder Assembly | 1 |
| 25 | fpqF-2 | Weigh Bin Coupler Body 1/8 MPT | 1 |
| 26 | fbc52 | Weigh Bin Female Connector, 1/8 FPT x 5/32 PTL | 1 |

| | | | |
|----|---------|--------------------------------------|---|
| 27 | esle | Safety Interlock Switch & Key | 1 |
| 28 | as583-2 | Hinged Door Assembly, WSB-200 | 1 |
| 29 | 583-2 | Mix Chamber Door, WSB-200 | 1 |
| 30 | 581-2E | Hinged Perspex Front Window, WSB-200 | 1 |
| 31 | 582-2E | Fixed Rear Perspex Window, WSB-200 | 1 |
| 32 | hl04 | Draw Latch | 2 |

| | | | |
|----|----------|--|---|
| 33 | 525-2W | Mix Blade, WSB-200 | 1 |
| 34 | 518-2 | Mix Chamber Saddle, WSB-200 | 1 |
| 35 | asps-01A | 30mm Level Sensor, Twist-Loc Plug, 19" Cable | 1 |
| 36 | m6z820 | Mix Motor 60RPM 230V | 1 |

| | | | |
|----|----------|---|---|
| 38 | as06-42 | Solenoid Tray Assembly 6-Segment 230V | 1 |
| 40 | n/12BG | Recoil Hose & Air Blow Gun 1/4" NPT | 1 |
| 41 | asam117 | 17 Pin Amphenol Connector Assembly | 1 |
| 42 | 564-AB | Actuator Block | 1 |
| 43 | ehc13-04 | Terminal Strip, 4-circuit, 20A 300V | 1 |
| 44 | ehc13-10 | Terminal Strip, 10-circuit, 20A 300V | 1 |
| 45 | epge | Receptacle Female 3-pin Euro | 1 |
| 46 | nfr | Air filter-Regulator-Gauge-40cfm (WSB) | 1 |
| 48 | nv24-6 | Solenoid Valve Set of 6, 24Volt | 1 |
| 50 | nv24-sol | Solenoid Valve Single 24Volt | 6 |
| 51 | nv08-05 | Weigh Bin Flow Control, 1/8 MPT x 5/32PTL | 1 |

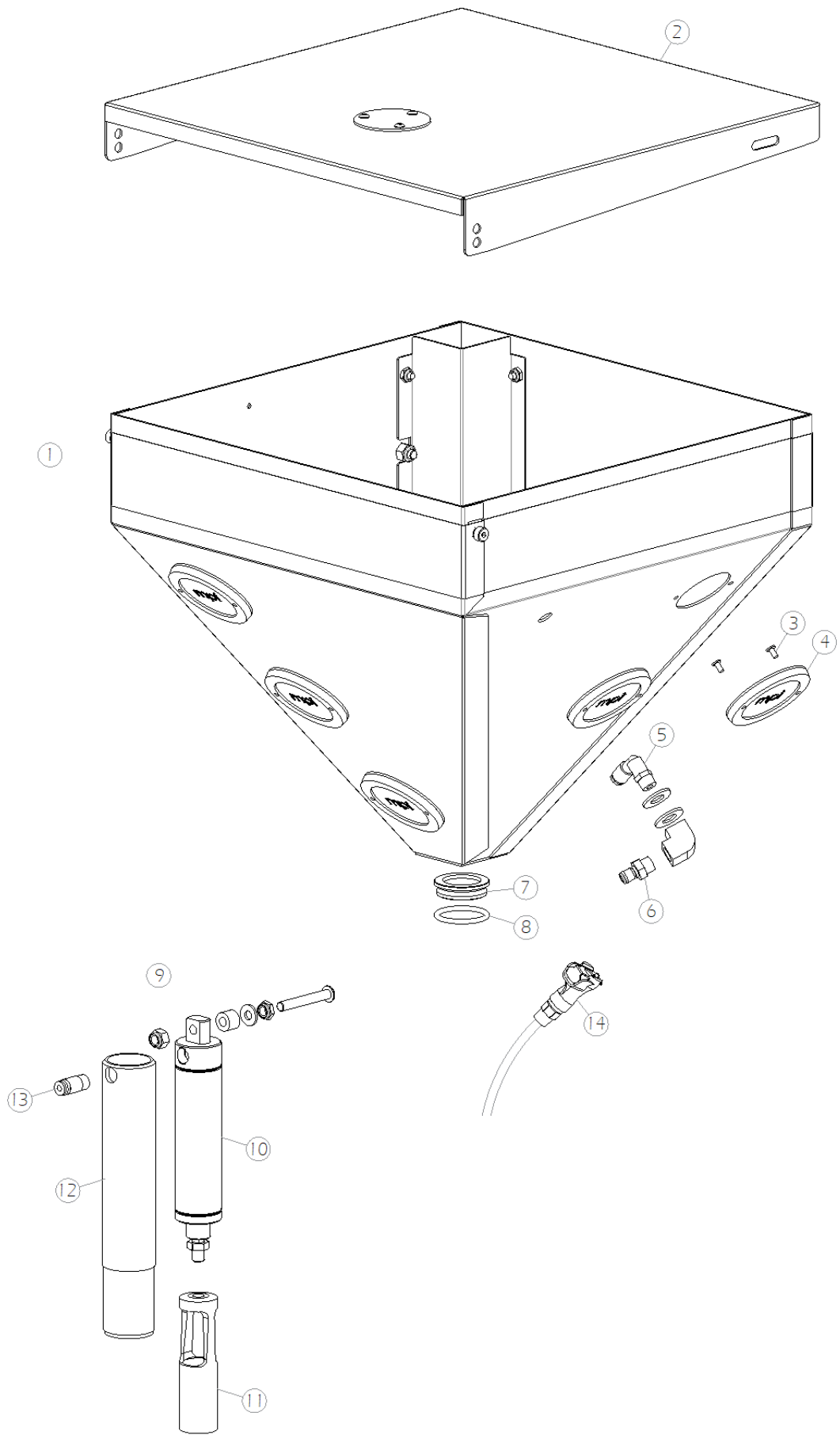


| | | | |
|---|----------------------------------|----------------------------|---|
| <p>THIS DRAWING IS THE PROPERTY OF MAGUIRE PRODUCTS INC. AND MUST BE RETURNED ON REQUEST IF MUST NOT BE COPIED OR PASSED TO A THIRD PARTY. DRAWING IS NOT TO SCALE.</p> | <p>TITLE WSB-240R</p> | | <p>MAGUIRE® Intelligent Simplicity</p> |
| | <p>DRAWN FF</p> | <p>DATE 12/11/2017</p> | |

Removable Hopper - Pivot Valve

| Item | Code | Description | Quantity |
|------|----------|---|----------|
| 1 | as543L | Removable Hopper, Left Pivot (Additive) | 1 |
| 1 | as543R | Removable Hopper, Right Pivot (Color) | 1 |
| 2 | 505-1RL | Removable Hopper Lid, Hinged | 1 |
| 3 | sr2-2 | Pop Rivet, 1/8" Dia. 1/8 - 3/16 grip | 10 |
| 4 | psa13 | Sight Glass, MPI Logo, Polycarb | 5 |
| 5 | fpe-532 | Fitting, Swivel Elbow Male, 1/8" MPT x 5/32" | 1 |
| 6 | fpqM | Quick Connect, male , 1/8 MPT | 1 |
| 7 | 305-T10 | 1" Valve Bushing Insert | 1 |
| 8 | go-214v | 1" O-ring | 1 |
| 9 | as333S10 | 1" Pivot Valve Assembly | 1 |
| 10 | ncy36 | Air Cylinder, 1" Bore, 1.5" stroke, Spring Return | 1 |
| 11 | 333-10S | 1" Pivot Valve | 1 |
| 12 | as330-1L | 1" Skirted Hood Assembly | 1 |
| 13 | fpc532-1 | Connector, Internal Hex, 1/8 MPT x 5/32 Press-In | 1 |
| 14 | fpqF | Coupler Body, Plastic, 5/32 Tube Shutoff | 1 |

*Left hopper show in picture



| | | | |
|---|---|----------------------------|--|
| <p>THIS DRAWING IS THE PROPERTY OF MAGUIRE PRODUCTS INC. AND MUST BE RETURNED ON REQUEST IF MUST NOT BE COPIED OR PASSED TO A THIRD PARTY. DRAWING IS NOT TO SCALE.</p> | <p>TITLE Removable Hopper Pivot Valve</p> | | <p>MAGUIRE[®] Intelligent Simplicity</p> |
| | <p>DRAWN FF</p> | <p>DATE 12/11/2017</p> | |

WSB-240

| Item | Code | Description | Quantity |
|------|---------|---------------------------------------|----------|
| 1 | 5560-WG | Hopper Window Gasket 6" x 8" | 4 |
| 2 | 5560-W | Hopper Window 6"x8" | 4 |
| 5 | as505-K | Knob Assembly, WSB Hopper Window, Red | 4 |
| 8 | sr2-2 | Pop Rivet, 1/8" Dia. 1/8 - 3/16 grip | 32 |
| 9 | psa13 | Sight Glass, MPI Logo, Polycarb | 16 |

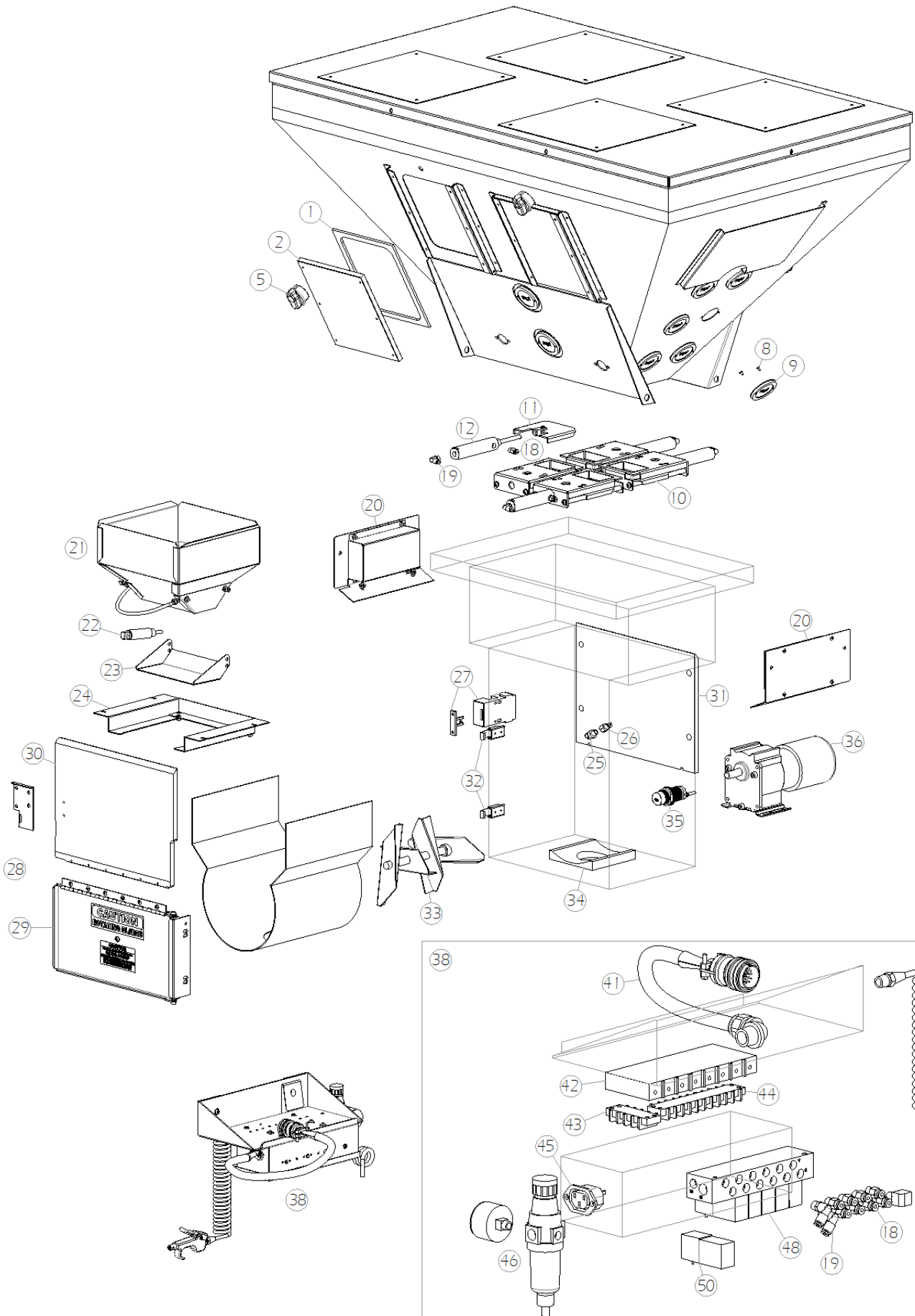
| | | | |
|----|---------|--|---|
| 10 | as2x3 | Slide Valve Assy, 2" x 3" | 4 |
| 11 | as5536 | Slider & Clevis Assy, 2 x 3 Valve | 4 |
| 12 | ncy2 | Air Cylinder, 1" Bore, 2" Stroke, 2-way | 4 |
| 18 | fpc-532 | Fitting, Straight Male, 1/8" MPT x 5/32 | 4 |
| 19 | fpe-532 | Fitting, Swivel Elbow Male, 1/8" MPT x 5/32" | 4 |

| | | | |
|----|---------|--|---|
| 20 | alc-2 | Load Cell Assembly, WSB-200 | 1 |
| 21 | as05-02 | Weigh Bin, WSB-200 | 1 |
| 22 | ncy19 | Air Cylinder for Weigh Bin | 1 |
| 23 | 508-2 | Weigh Bin Dump Flap, WSB-200 | 1 |
| 24 | as526H | Weigh Bin Holder Assembly | 1 |
| 25 | fpgF-2 | Weigh Bin Coupler Body 1/8 MPT | 1 |
| 26 | fbc52 | Weigh Bin Female Connector, 1/8 FPT x 5/32 PTL | 1 |

| | | | |
|----|---------|--------------------------------------|---|
| 27 | esle | Safety Interlock Switch & Key | 1 |
| 28 | as583-2 | Hinged Door Assembly, WSB-200 | 1 |
| 29 | 583-2 | Mix Chamber Door, WSB-200 | 1 |
| 30 | 581-2E | Hinged Perspex Front Window, WSB-200 | 1 |
| 31 | 582-2E | Fixed Rear Perspex Window, WSB-200 | 1 |
| 32 | hl04 | Draw Latch | 2 |

| | | | |
|----|----------|--|---|
| 33 | 525-2W | Mix Blade, WSB-200 | 1 |
| 34 | 518-2 | Mix Chamber Saddle, WSB-200 | 1 |
| 35 | asps-01A | 30mm Level Sensor, Twist-Loc Plug, 19" Cable | 1 |
| 36 | m6z820 | Mix Motor 60RPM 230V | 1 |

| | | | |
|----|----------|---|---|
| 38 | as06-42 | Solenoid Tray Assembly 6-Segment 230V | 1 |
| 40 | n/12BG | Recoil Hose & Air Blow Gun 1/4" NPT | 1 |
| 41 | asam117 | 17 Pin Amphenol Connector Assembly | 1 |
| 42 | 564-AB | Actuator Block | 1 |
| 43 | ehc13-04 | Terminal Strip, 4-circuit, 20A 300V | 1 |
| 44 | ehc13-10 | Terminal Strip, 10-circuit, 20A 300V | 1 |
| 45 | epge | Receptacle Female 3-pin Euro | 1 |
| 46 | nfr | Air filter-Regulator-Gauge-40cfm (WSB) | 1 |
| 48 | nv24-6 | Solenoid Valve Set of 6, 24Volt | 1 |
| 50 | nv24-sol | Solenoid Valve Single 24Volt | 6 |
| 51 | nv08-05 | Weigh Bin Flow Control, 1/8 MPT x 5/32PTL | 1 |



| | | | |
|---|---------------------------------|----------------------------|--|
| <p>THIS DRAWING IS THE PROPERTY OF MAGUIRE PRODUCTS INC. AND MUST BE RETURNED ON REQUEST IF MUST NOT BE COPIED OR PASSED TO A THIRD PARTY. DRAWING IS NOT TO SCALE.</p> | <p>TITLE WSB-240</p> | | <p>MAGUIRE[®] Intelligent Simplicity</p> |
| | <p>DRAWN FF</p> | <p>DATE 12/11/2017</p> | |

WSB-250

| Item | Code | Description | Quantity |
|------|---------|---------------------------------------|----------|
| 1 | 5560-WG | Hopper Window Gasket 6" x 8" | 6 |
| 2 | 5560-W | Hopper Window 6"x8" | 6 |
| 5 | as505-K | Knob Assembly, WSB Hopper Window, Red | 6 |
| 8 | sr2-2 | Pop Rivet, 1/8" Dia. 1/8 - 3/16 grip | 32 |
| 9 | psa13 | Sight Glass, MPI Logo, Polycarb | 16 |

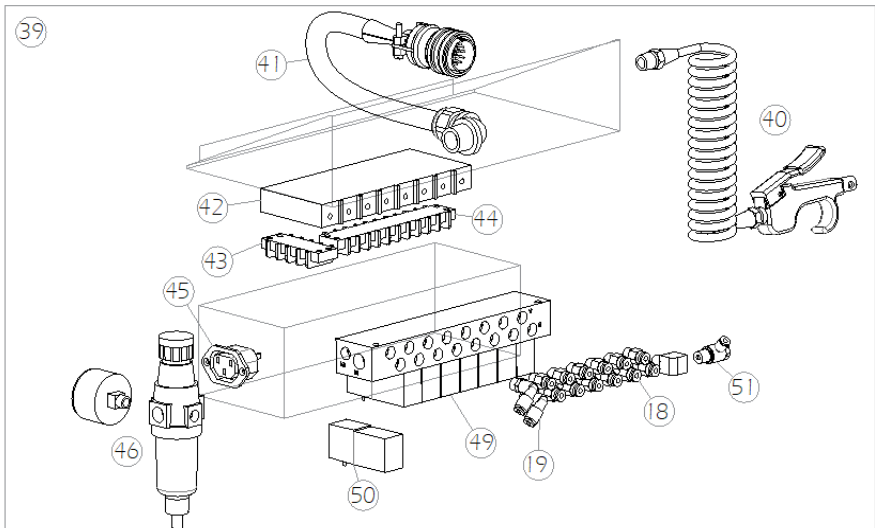
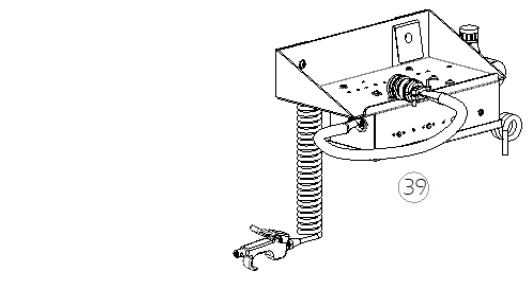
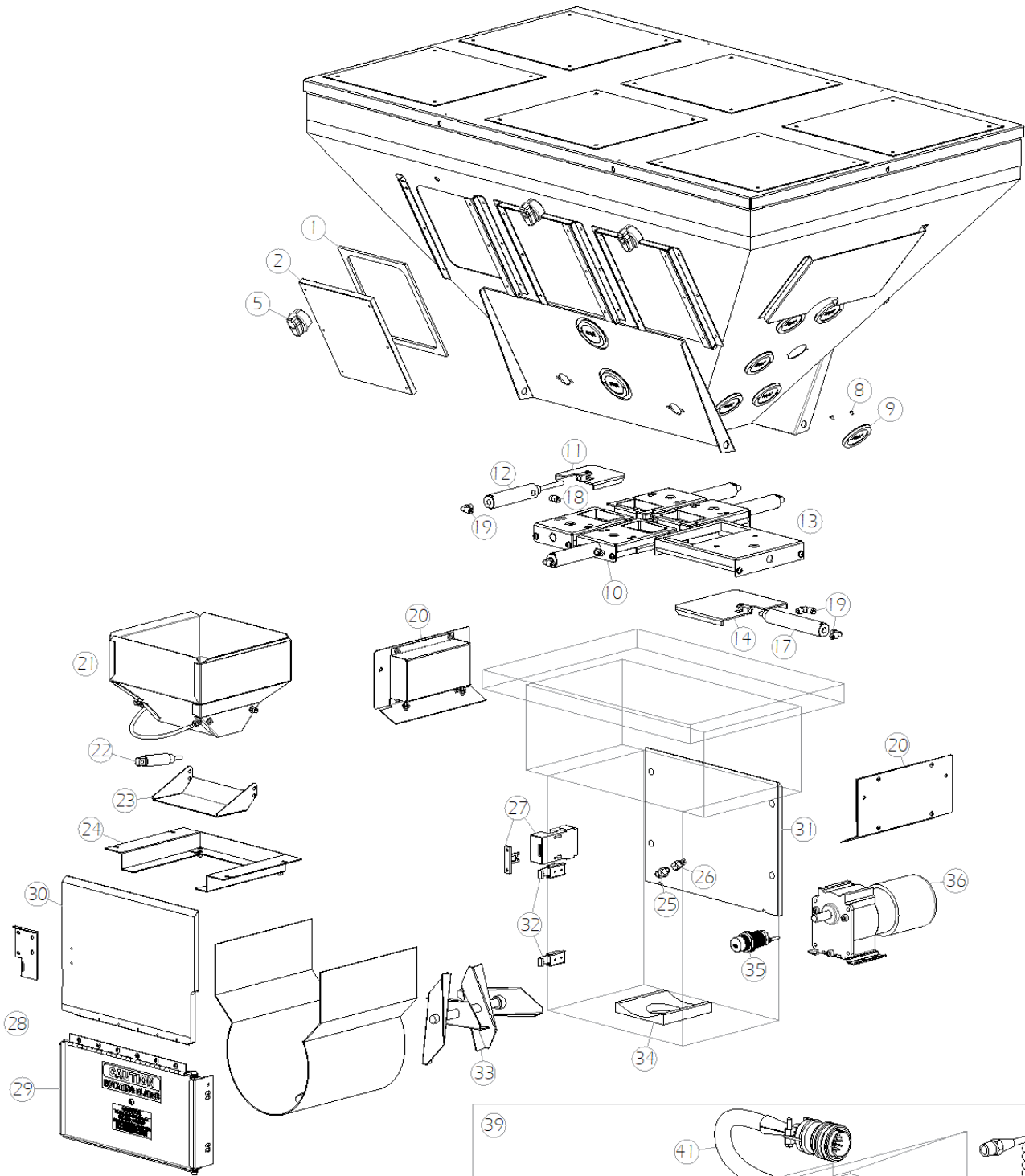
| | | | |
|----|---------|--|---|
| 10 | as2x3 | Slide Valve Assy, 2" x 3" | 4 |
| 11 | as5536 | Slider & Clevis Assy, 2 x 3 Valve | 4 |
| 12 | ncy2 | Air Cylinder, 1" Bore, 2" Stroke, 2-way | 4 |
| 13 | as3x6 | Slide Valve Assy, 3" x 6" | 1 |
| 14 | as5538 | Slider & Clevis Assy, 3 x 6 Valve | 1 |
| 17 | ncy15 | Air Cylinder, 1" Bore, 3" Stroke, 2-way | 1 |
| 18 | fpc-532 | Fitting, Straight Male, 1/8" MPT x 5/32 | 5 |
| 19 | fpe-532 | Fitting, Swivel Elbow Male, 1/8" MPT x 5/32" | 5 |

| | | | |
|----|---------|--|---|
| 20 | alc-2 | Load Cell Assembly, WSB-200 | 1 |
| 21 | as05-02 | Weigh Bin, WSB-200 | 1 |
| 22 | ncy19 | Air Cylinder for Weigh Bin | 1 |
| 23 | 508-2 | Weigh Bin Dump Flap, WSB-200 | 1 |
| 24 | as526H | Weigh Bin Holder Assembly | 1 |
| 25 | fpqF-2 | Weigh Bin Coupler Body 1/8 MPT | 1 |
| 26 | fbc52 | Weigh Bin Female Connector, 1/8 FPT x 5/32 PTL | 1 |

| | | | |
|----|---------|--------------------------------------|---|
| 27 | esle | Safety Interlock Switch & Key | 1 |
| 28 | as583-2 | Hinged Door Assembly, WSB-200 | 1 |
| 29 | 583-2 | Mix Chamber Door, WSB-200 | 1 |
| 30 | 581-2E | Hinged Perspex Front Window, WSB-200 | 1 |
| 31 | 582-2E | Fixed Rear Perspex Window, WSB-200 | 1 |
| 32 | hl04 | Draw Latch | 2 |

| | | | |
|----|----------|--|---|
| 33 | 525-2W | Mix Blade, WSB-200 | 1 |
| 34 | 518-2 | Mix Chamber Saddle, WSB-200 | 1 |
| 35 | asps-01A | 30mm Level Sensor, Twist-Loc Plug, 19" Cable | 1 |
| 36 | m6z820 | Mix Motor 60RPM 230V | 1 |

| | | | |
|----|----------|---|---|
| 39 | as06-62 | Solenoid Tray Assembly 8-Segment 230V | 1 |
| 40 | n/12BG | Recoil Hose & Air Blow Gun 1/4" NPT | 1 |
| 41 | asam117 | 17 Pin Amphenol Connector Assembly | 1 |
| 42 | 564-AB | Actuator Block | 1 |
| 43 | ehc13-04 | Terminal Strip, 4-circuit, 20A 300V | 1 |
| 44 | ehc13-10 | Terminal Strip, 10-circuit, 20A 300V | 1 |
| 45 | epge | Receptacle Female 3-pin Euro | 1 |
| 46 | nfr | Air filter-Regulator-Gauge-40cfm (WSB) | 1 |
| 49 | nv24-8 | Solenoid Valve Set of 8, 24Volt | 1 |
| 50 | nv24-sol | Solenoid Valve Single 24Volt | 8 |
| 51 | nv08-05 | Weigh Bin Flow Control, 1/8 MPT x 5/32PTL | 1 |



| | | |
|---|---------|---|
| <p>THIS DRAWING IS THE PROPERTY OF MAGUIRE PRODUCTS INC. AND MUST BE RETURNED ON REQUEST IF MUST NOT BE COPIED OR PASSED TO A THIRD PARTY. DRAWING IS NOT TO SCALE.</p> | TITLE | |
| | WSB-250 | |
| DRAWN | FF | DATE 12/11/2017 |
| | | <p>MAGUIRE® Intelligent Simplicity</p> |

WSB-260

| Item | Code | Description | Quantity |
|------|---------|---------------------------------------|----------|
| 1 | 5560-WG | Hopper Window Gasket 6" x 8" | 6 |
| 2 | 5560-W | Hopper Window 6"x8" | 6 |
| 5 | as505-K | Knob Assembly, WSB Hopper Window, Red | 6 |
| 8 | sr2-2 | Pop Rivet, 1/8" Dia. 1/8 - 3/16 grip | 32 |
| 9 | psa13 | Sight Glass, MPI Logo, Polycarb | 16 |

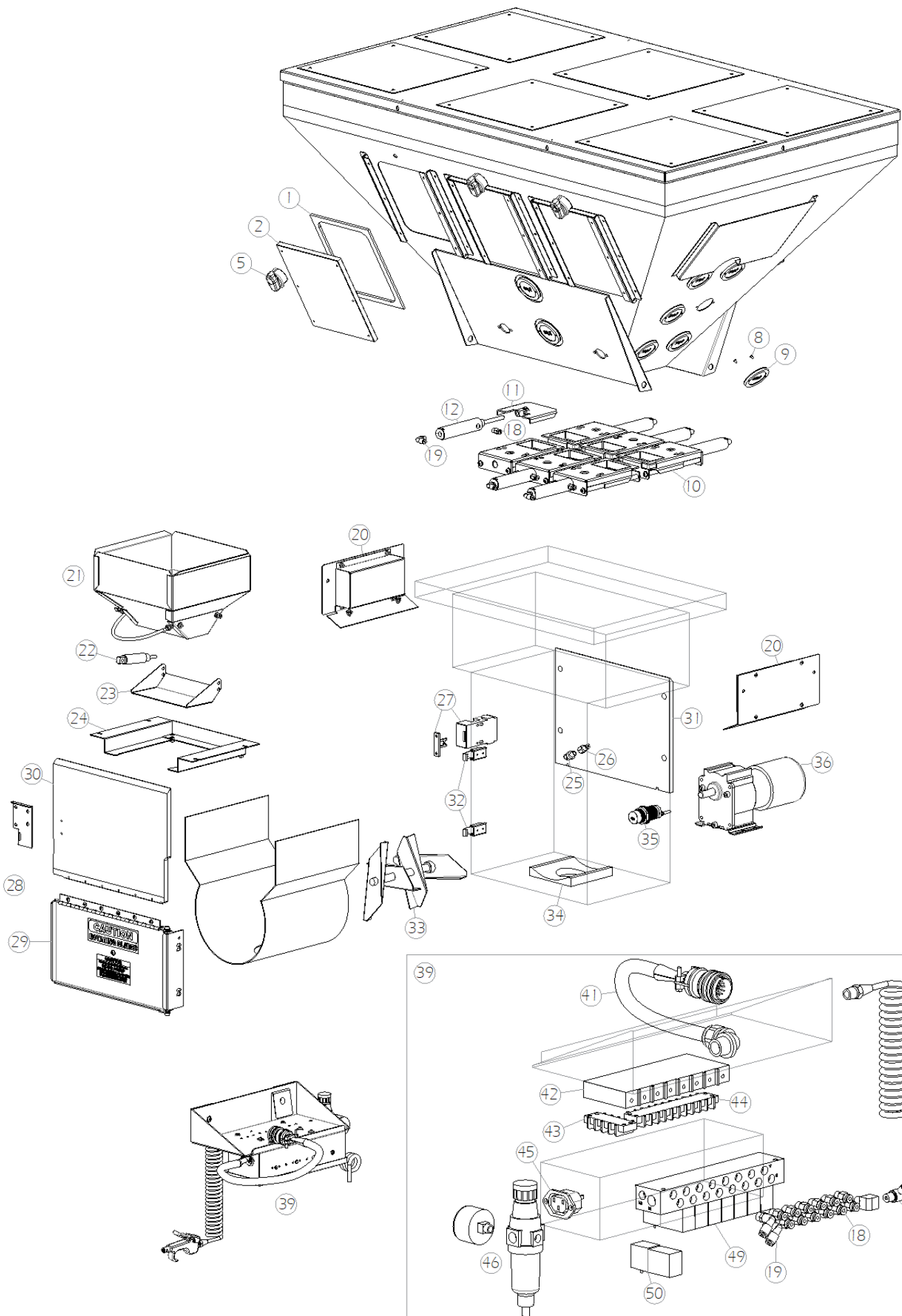
| | | | |
|----|---------|--|---|
| 10 | as2x3 | Slide Valve Assy, 2" x 3" | 6 |
| 11 | as5536 | Slider & Clevis Assy, 2 x 3 Valve | 6 |
| 12 | ncy2 | Air Cylinder, 1" Bore, 2" Stroke, 2-way | 6 |
| 18 | fpc-532 | Fitting, Straight Male, 1/8" MPT x 5/32 | 6 |
| 19 | fpe-532 | Fitting, Swivel Elbow Male, 1/8" MPT x 5/32" | 6 |

| | | | |
|----|---------|--|---|
| 20 | alc-2 | Load Cell Assembly, WSB-200 | 1 |
| 21 | as05-02 | Weigh Bin, WSB-200 | 1 |
| 22 | ncy19 | Air Cylinder for Weigh Bin | 1 |
| 23 | 508-2 | Weigh Bin Dump Flap, WSB-200 | 1 |
| 24 | as526H | Weigh Bin Holder Assembly | 1 |
| 25 | fpgF-2 | Weigh Bin Coupler Body 1/8 MPT | 1 |
| 26 | fbc52 | Weigh Bin Female Connector, 1/8 FPT x 5/32 PTL | 1 |

| | | | |
|----|---------|--------------------------------------|---|
| 27 | esle | Safety Interlock Switch & Key | 1 |
| 28 | as583-2 | Hinged Door Assembly, WSB-200 | 1 |
| 29 | 583-2 | Mix Chamber Door, WSB-200 | 1 |
| 30 | 581-2E | Hinged Perspex Front Window, WSB-200 | 1 |
| 31 | 582-2E | Fixed Rear Perspex Window, WSB-200 | 1 |
| 32 | hl04 | Draw Latch | 2 |

| | | | |
|----|----------|--|---|
| 33 | 525-2W | Mix Blade, WSB-200 | 1 |
| 34 | 518-2 | Mix Chamber Saddle, WSB-200 | 1 |
| 35 | asps-01A | 30mm Level Sensor, Twist-Loc Plug, 19" Cable | 1 |
| 36 | m6z820 | Mix Motor 60RPM 230V | 1 |

| | | | |
|----|----------|---|---|
| 39 | as06-62 | Solenoid Tray Assembly 8-Segment 230V | 1 |
| 40 | n/12BG | Recoil Hose & Air Blow Gun 1/4" NPT | 1 |
| 41 | asam117 | 17 Pin Amphenol Connector Assembly | 1 |
| 42 | 564-AB | Actuator Block | 1 |
| 43 | ehc13-04 | Terminal Strip, 4-circuit, 20A 300V | 1 |
| 44 | ehc13-10 | Terminal Strip, 10-circuit, 20A 300V | 1 |
| 45 | epge | Receptacle Female 3-pin Euro | 1 |
| 46 | nfr | Air filter-Regulator-Gauge-40cfm (WSB) | 1 |
| 49 | nv24-8 | Solenoid Valve Set of 8, 24Volt | 1 |
| 50 | nv24-sol | Solenoid Valve Single 24Volt | 8 |
| 51 | nv08-05 | Weigh Bin Flow Control, 1/8 MPT x 5/32PTL | 1 |



| | | | |
|---|---------------------------------|----------------------------|---|
| <p>THIS DRAWING IS THE PROPERTY OF MAGUIRE PRODUCTS INC. AND MUST BE RETURNED ON REQUEST IF MUST NOT BE COPIED OR PASSED TO A THIRD PARTY. DRAWING IS NOT TO SCALE.</p> | <p>TITLE WSB-260</p> | | <p>MAGUIRE® Intelligent Simplicity</p> |
| | <p>DRAWN FF</p> | <p>DATE 12/11/2017</p> | |