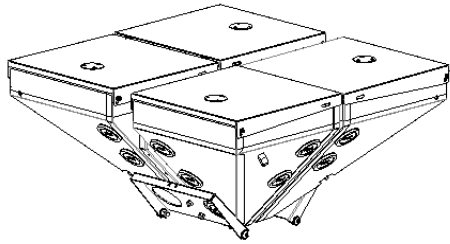
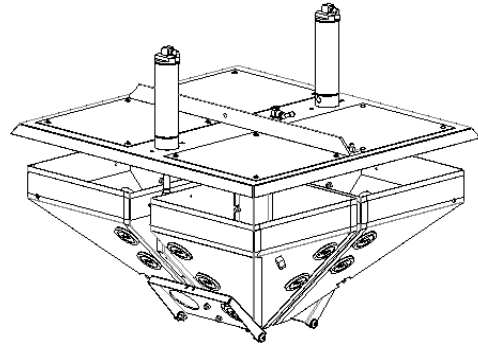


WSB-100 Series

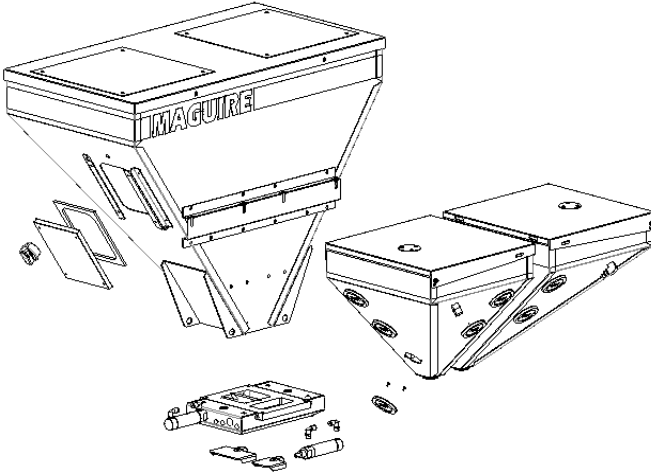
Item	Code	Description	140MP	140MPLL	140R	140	150	160
1	505-1WG	Hopper Window Gasket 4"x6"	-	-	2	4	6	6
2	505-1W	Hopper Window 4"x6"	-	-	2	4	6	6
3	as505-K	Knob Assembly, WSB Hopper Window, Red	-	-	2	4	6	6
4	as543L	Removable Hopper, Left Pivot (Additive)	2	2	1	-	-	-
4	as543R	Removable Hopper, Right Pivot (Color)	0	0	1	-	-	-
5	as544L	Removable Hopper, Left Corner Valve (Additive)	0	0	-	-	-	-
5	as544R	Removable Hopper, Right Corner Valve (Color)	2	2	-	-	-	-
6	sr2-2	Pop Rivet, 1/8" Dia. 1/8 - 3/16 grip	36	36	18	24	16	16
7	psa13	Sight Glass, MPI Logo, Polycarb	18	18	9	12	8	8
8	ncy81	Air Cylinder, 1.5" Bore, 3" Stroke, Double End Mount	-	2	-	-	-	-
9	505-1LG	Foam Hopper Lid Seal, 140 MicroPlus	-	2	-	-	-	-
10	as545R	Valve Deck WSB-140R	-	-	1	-	-	-
11	as545	Valve Deck WSB-140R	-	-	-	1	-	-
12	as545-6	Valve Deck WSB-150, WSB-160	-	-	-	-	1	1
13	as5396VL	Slider & Clevis Assembly, Large	-	-	2	2	2	2
14	539-16VL	Slide Valve Large	-	-	2	2	2	2
15	as5396VS	Slider & Clevis Assembly, Small	-	-	-	2	4	4
16	539-16VS	Slide Valve Small	-	-	-	2	4	4
17	ncy1.5	Air Cylinder, 1" Bore, 1.5" Stroke, 2-way	-	-	2	4	6	6
18	fpe-532	Fitting, Swivel Elbow Male, 1/8" MPT x 5/32"	-	2	4	8	12	12
22	alc-1	Load Cell Assembly, WSB-100	1	1	1	1	1	1
23	as05-01	Weigh Bin, WSB-100	1	1	1	1	1	1
24	ncy19	Air Cylinder for Weigh Bin	1	1	1	1	1	1
25	508-1	Weigh Bin Dump Flap, WSB-100	1	1	1	1	1	1
26	fpgF-2	Weigh Bin Coupler Body 1/8 MPT	1	1	1	1	1	1
27	fbc52	Weigh Bin Female Connector, 1/8 FPT x 5/32 PTL	1	1	1	1	1	1
28	fbc42-1	Sensor Blow Off 1/8" MPT x 1/4" Press Connector	1	1	1	1	1	1
29	esle	Safety Interlock Switch & Key	1	1	1	1	1	1
30	as583-1	Hinged Door Assembly, WSB-100	1	1	1	1	1	1
31	583-1	Mix Chamber Door, WSB-100	1	1	1	1	1	1
32	581-1F	Hinged Perspex Front Window, WSB-100	1	1	1	1	1	1
33	5G1-B	Fixed Rear Perspex Window	1	1	1	1	1	1
34	hl04	Draw Latch	3	3	3	3	3	3
35	525-1W	Mix Blade, WSB-100	1	1	1	1	1	1
36	518-1	Mix Chamber Saddle, WSB-100	1	1	1	1	1	1
37	asps-02M	18mm Level Sensor, Twist-Loc Plug, WSB-100	1	1	1	1	1	1
38	ehsx03M	18mm Level Sensor	1	1	1	1	1	1
39	asps-02C	Twist-Loc Plug	1	1	1	1	1	1
40	m4z520	Mix Motor 45RPM 230V	1	1	1	1	1	1
41	as06-42	Solenoid Tray Assembly 6-Segment 230V	1	1	1	-	-	-
42	as06-62	Solenoid Tray Assembly 8-Segment 230V	-	-	-	1	1	2



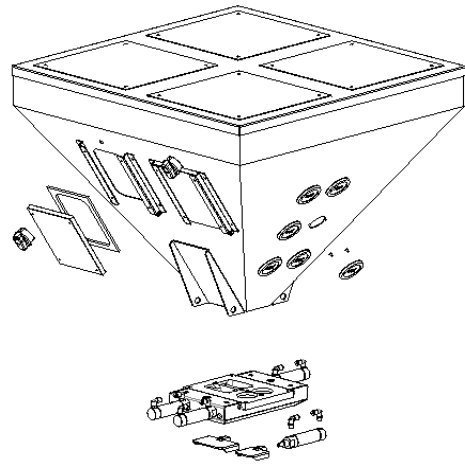
WSB-140MP



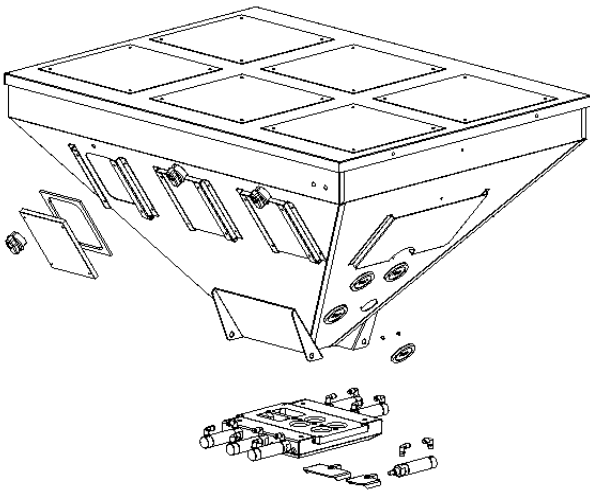
WSB-140MPLL



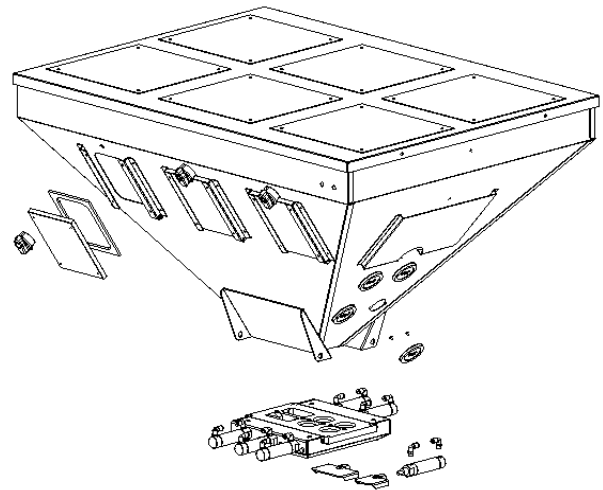
WSB-140R



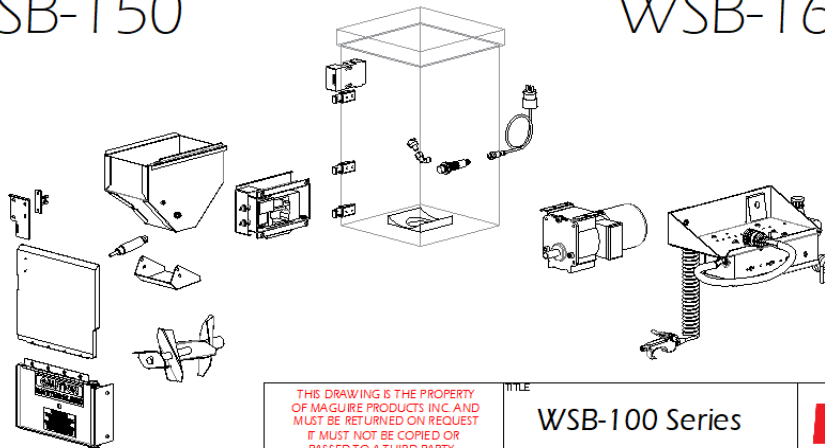
WSB-140



WSB-150



WSB-160



THIS DRAWING IS THE PROPERTY OF MAGUIRE PRODUCTS INC. AND MUST BE RETURNED ON REQUEST IF MUST NOT BE COPIED OR PASSED TO A THIRD PARTY. DRAWING IS NOT TO SCALE.

TITLE	
WSB-100 Series	
DRAWN	DATE
FF	12/11/2017

MAGUIRE[®]
Intelligent Simplicity

WSB-140MP

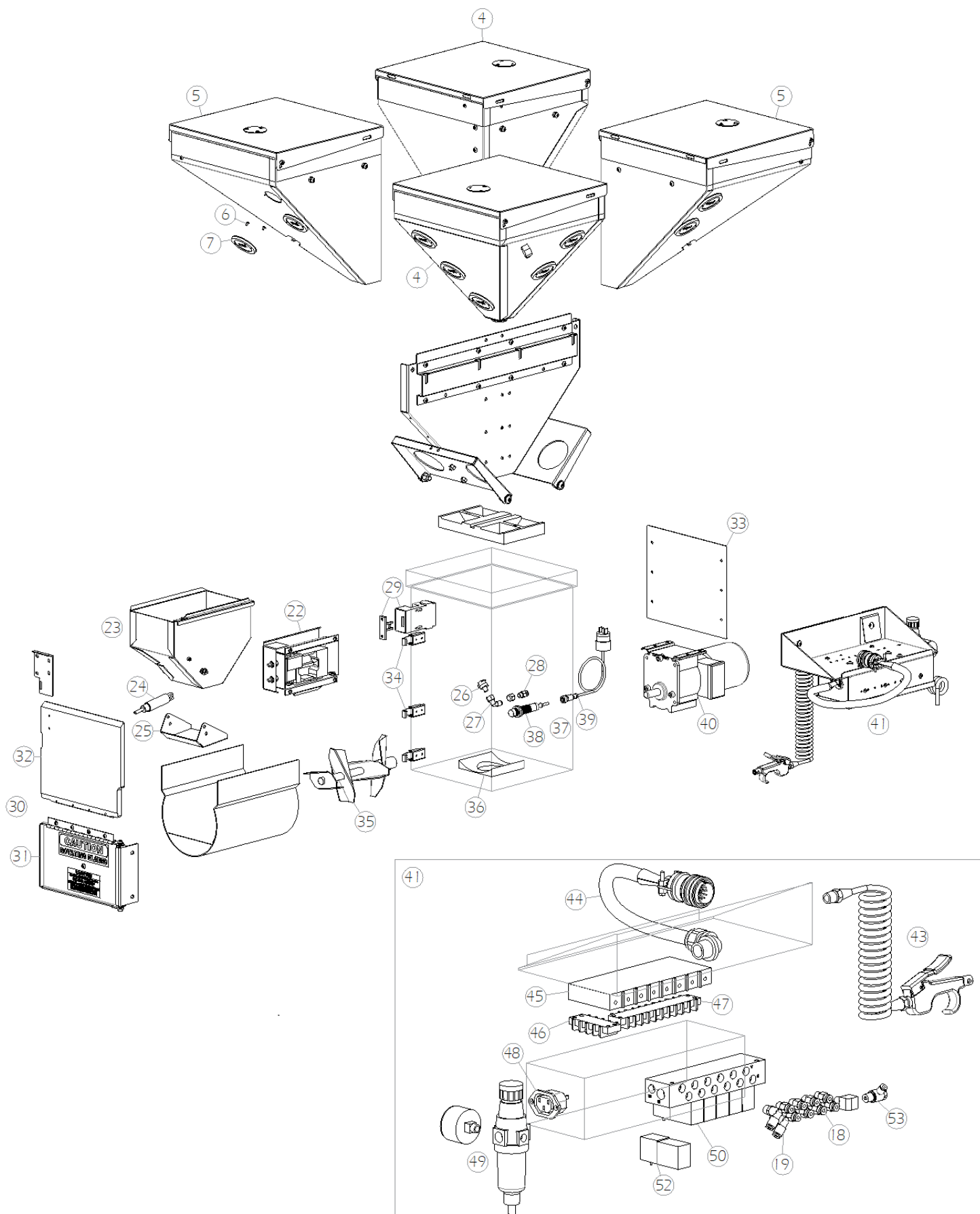
Item	Code	Description	Quantity
1	505-1WG	Hopper Window Gasket 4"x6"	-
2	505-1W	Hopper Window 4"x6"	-
3	as505-K	Knob Assembly, WSB Hopper Window, Red	-
4	as543L	Removable Hopper, Left Pivot (Additive)	2
4	as543R	Removable Hopper, Right Pivot (Color)	0
5	as544L	Removable Hopper, Left Corner Valve (Additive)	0
5	as544R	Removable Hopper, Right Corner Valve (Color)	2
6	sr2-2	Pop Rivet, 1/8" Dia. 1/8 - 3/16 grip	36
7	psa13	Sight Glass, MPI Logo, Polycarb	18
18	fpe-532	Fitting, Swivel Elbow Male, 1/8" MPT x 5/32"	

22	alc-1	Load Cell Assembly, WSB-100	1
23	as05-01	Weigh Bin, WSB-100	1
24	ncy19	Air Cylinder for Weigh Bin	1
25	508-1	Weigh Bin Dump Flap, WSB-100	1
26	fpqF-2	Weigh Bin Coupler Body 1/8 MPT	1
27	fbC52	Weigh Bin Female Connector, 1/8 FPT x 5/32 PTL	1
28	fbC42-1	Sensor Blow Off 1/8" MPT x 1/4" Press Connector	1

29	esle	Safety Interlock Switch & Key	1
30	as583-1	Hinged Door Assembly, WSB-100	1
31	583-1	Mix Chamber Door, WSB-100	1
32	581-1F	Hinged Perspex Front Window, WSB-100	1
33	5G1-B	Fixed Rear Perspex Window	1
34	hl04	Draw Latch	3

35	525-1W	Mix Blade, WSB-100	1
36	518-1	Mix Chamber Saddle, WSB-100	1
37	asps-02M	18mm Level Sensor, Twist-Loc Plug, WSB-100	1
38	ehsx03M	18mm Level Sensor	1
39	asps-02C	Twist-Loc Plug	1
40	m4z520	Mix Motor 45RPM 230V	1

41	as06-42	Solenoid Tray Assembly 6-Segment 230V	1
43	n/12BG	Recoil Hose & Air Blow Gun 1/4" NPT	1
44	asam117	17 Pin Amphenol Connector Assembly	1
45	564-AB	Actuator Block	1
46	ehc13-04	Terminal Strip, 4-circuit, 20A 300V	1
47	ehc13-10	Terminal Strip, 10-circuit, 20A 300V	1
48	epge	Receptacle Female 3-pin Euro	1
49	nfr	Air filter-Regulator-Gauge-40cfm (WSB)	1
50	nv24-6	Solenoid Valve Set of 6, 24Volt	1
52	nv24-sol	Solenoid Valve Single 24Volt	6
53	nv08-05	Weigh Bin Flow Control, 1/8 MPT x 5/32PTL	1



<p>THIS DRAWING IS THE PROPERTY OF MAGUIRE PRODUCTS INC. AND MUST BE RETURNED ON REQUEST IF NOT COPIED OR PASSED TO A THIRD PARTY. DRAWING IS NOT TO SCALE.</p>	<p>TITLE WSB-140MP</p>		<p>MAGUIRE[®] Intelligent Simplicity</p>
	<p>DRAWN FF</p>	<p>DATE 12/11/2017</p>	

WSB-140MPLL

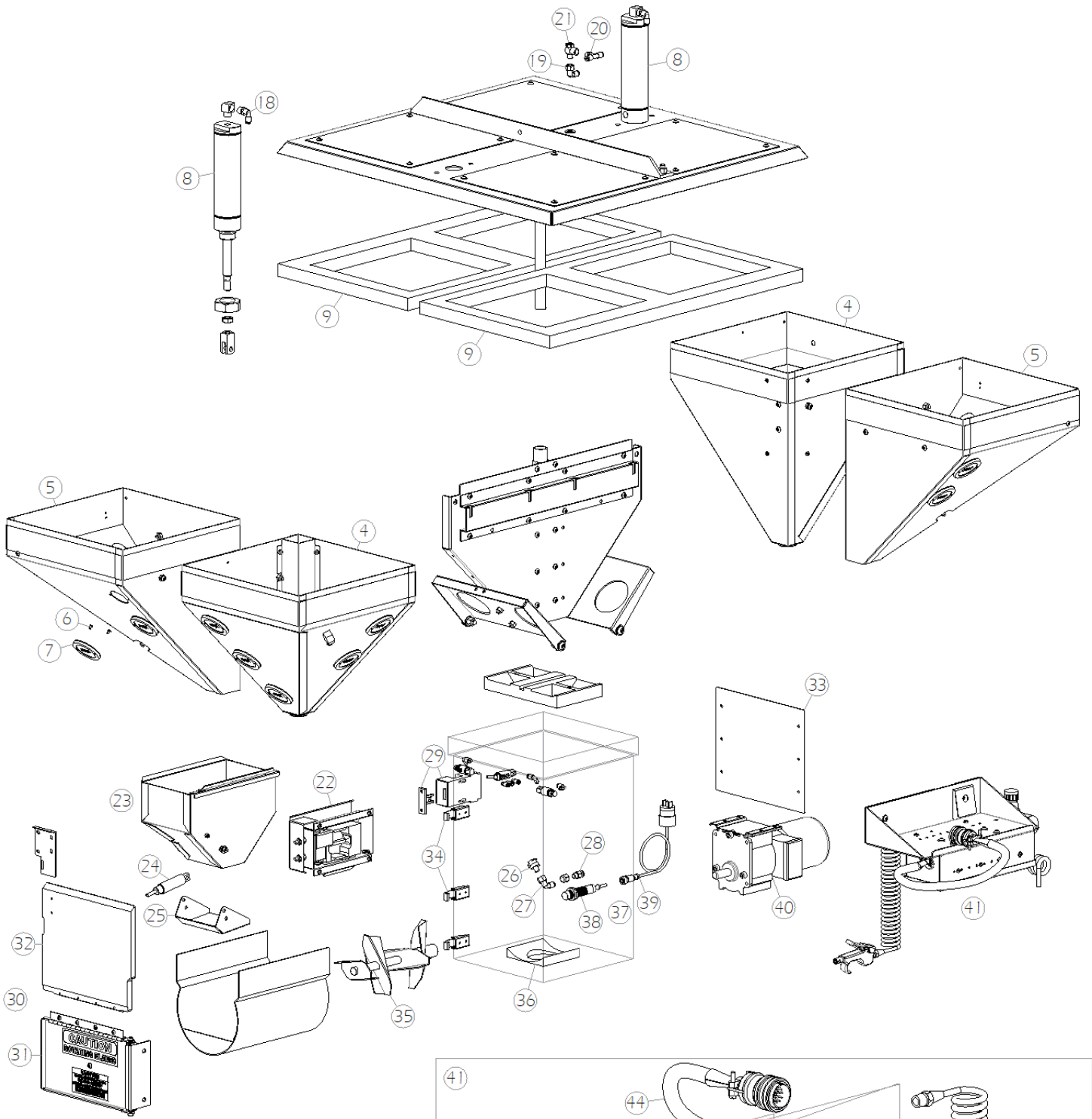
Item	Code	Description	Quantity
4	as543L	Removable Hopper, Left Pivot (Additive)	2
4	as543R	Removable Hopper, Right Pivot (Color)	0
5	as544L	Removable Hopper, Left Corner Valve (Additive)	0
5	as544R	Removable Hopper, Right Corner Valve (Color)	2
6	sr2-2	Pop Rivet, 1/8" Dia. 1/8 - 3/16 grip	36
7	psa13	Sight Glass, MPI Logo, Polycarb	18
8	ncy81	Air Cylinder, 1.5" Bore, 3" Stroke, Double End Mount	2
9	505-1LG	Foam Hopper Lid Seal, 140 MicroPlus	2
18	fpe-532	Fitting, Swivel Elbow Male, 1/8" MPT x 5/32"	2

22	alc-1	Load Cell Assembly, WSB-100	1
23	as05-01	Weigh Bin, WSB-100	1
24	ncy19	Air Cylinder for Weigh Bin	1
25	508-1	Weigh Bin Dump Flap, WSB-100	1
26	fpqF-2	Weigh Bin Coupler Body 1/8 MPT	1
27	fbc52	Weigh Bin Female Connector, 1/8 FPT x 5/32 PTL	1
28	fbc42-1	Sensor Blow Off 1/8" MPT x 1/4" Press Connector	1

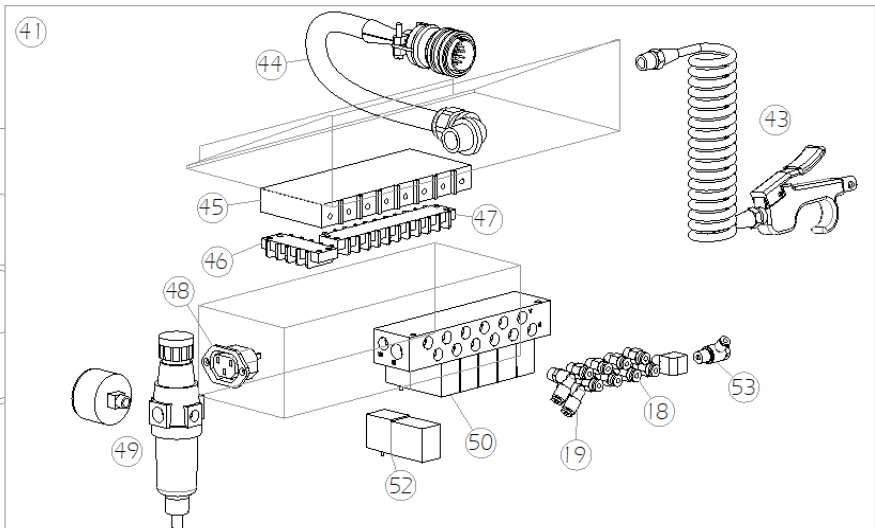
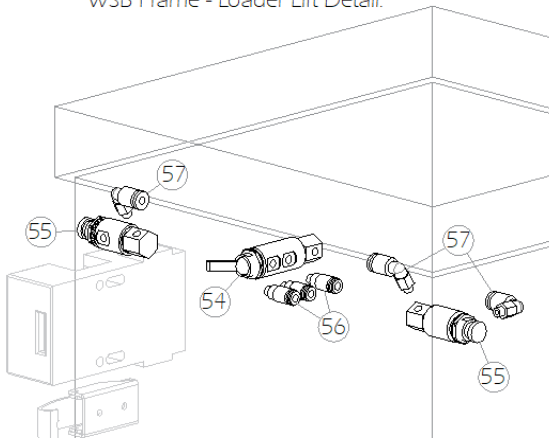
29	esle	Safety Interlock Switch & Key	1
30	as583-1	Hinged Door Assembly, WSB-100	1
31	583-1	Mix Chamber Door, WSB-100	1
32	581-1F	Hinged Perspex Front Window, WSB-100	1
33	5G1-B	Fixed Rear Perspex Window	1
34	hl04	Draw Latch	3

35	525-1W	Mix Blade, WSB-100	1
36	518-1	Mix Chamber Saddle, WSB-100	1
37	asps-02M	18mm Level Sensor, Twist-Loc Plug, WSB-100	1
38	ehsx03M	18mm Level Sensor	1
39	asps-02C	Twist-Loc Plug	1
40	m4z520	Mix Motor 45RPM 230V	1

41	as06-42	Solenoid Tray Assembly 6-Segment 230V	1
43	n/12BG	Recoil Hose & Air Blow Gun 1/4" NPT	1
44	asam117	17 Pin Amphenol Connector Assembly	1
45	564-AB	Actuator Block	1
46	ehc13-04	Terminal Strip, 4-circuit, 20A 300V	1
47	ehc13-10	Terminal Strip, 10-circuit, 20A 300V	1
48	epge	Receptacle Female 3-pin Euro	1
49	nfr	Air filter-Regulator-Gauge-40cfm (WSB)	1
50	nv24-6	Solenoid Valve Set of 6, 24Volt	1
52	nv24-sol	Solenoid Valve Single 24Volt	6
53	nv08-05	Weigh Bin Flow Control, 1/8 MPT x 5/32PTL	1
54	nvmt-01	Valve, 3-way, Toggle, Panel Mount	1
55	nvmp-01	Valve, 3 way, Pushbutton, Panel Mount, NC	1
56	fpc-1032	Fitting, Straight Male, #10-32 x 5/32"	1
57	fpe-1032	Fitting, Swivel Elbow Male, #10-32 x 5/32"	1



WSB Frame - Loader Lift Detail:



THIS DRAWING IS THE PROPERTY OF MAGUIRE PRODUCTS INC. AND MUST BE RETURNED ON REQUEST IF MUST NOT BE COPIED OR PASSED TO A THIRD PARTY. DRAWING IS NOT TO SCALE.

TITLE		WSB-140MPLL	
DRAWN	FF	DATE	12/11/2017

MAGUIRE[®]
Intelligent Simplicity

WSB-140R

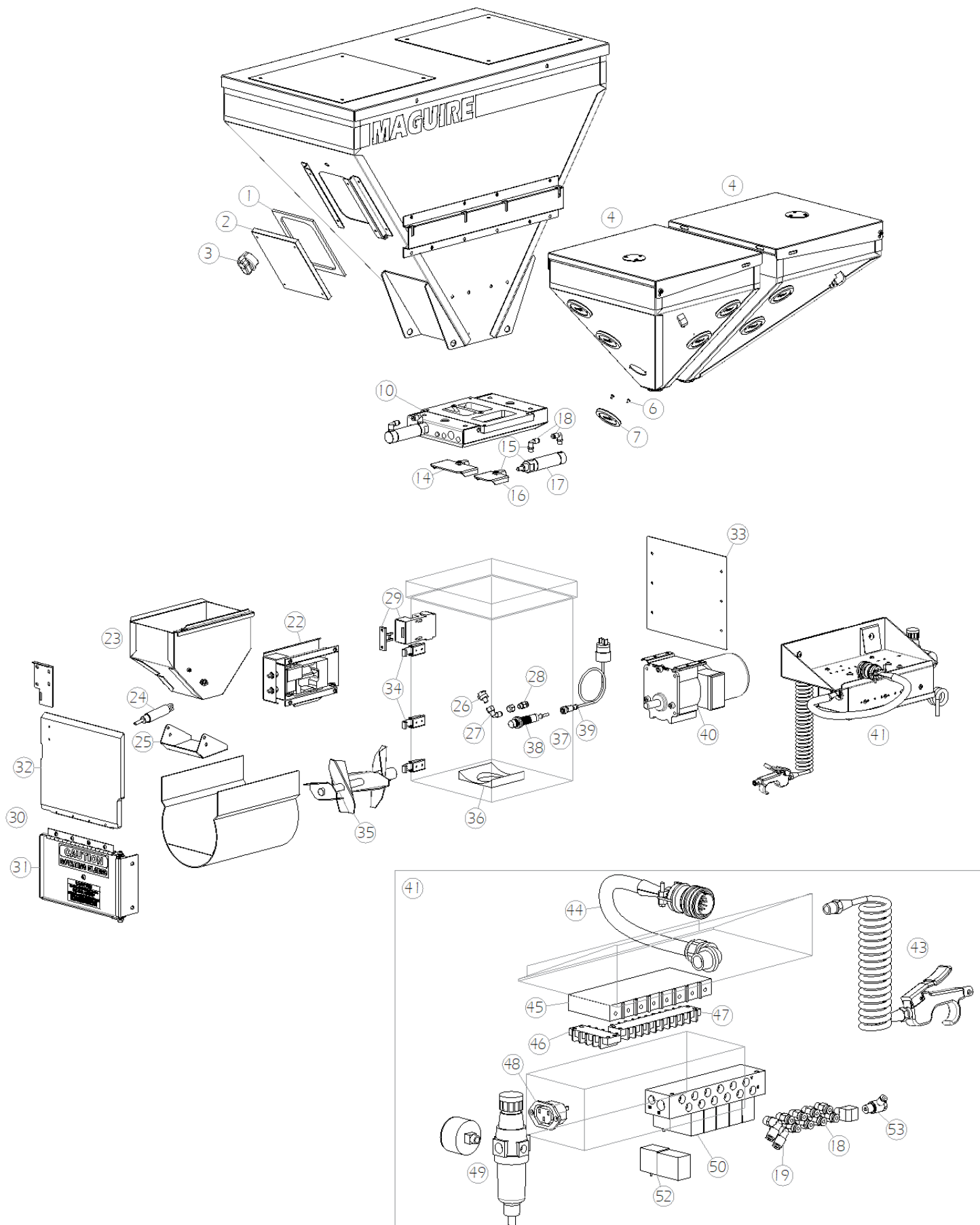
Item	Code	Description	Quantity
1	505-1WG	Hopper Window Gasket 4"x6"	2
2	505-1W	Hopper Window 4"x6"	2
3	as505-K	Knob Assembly, WSB Hopper Window, Red	2
4	as543L	Removable Hopper, Left Pivot (Additive)	1
4	as543R	Removable Hopper, Right Pivot (Color)	1
6	sr2-2	Pop Rivet, 1/8" Dia. 1/8 - 3/16 grip	18
7	psa13	Sight Glass, MPI Logo, Polycarb	9
10	as545R	Valve Deck WSB-140R	1
13	as5396VL	Slider & Clevis Assembly, Large	2
14	539-16VL	Slide Valve Large	2
17	ncy1.5	Air Cylinder, 1" Bore, 1.5" Stroke, 2-way	2
18	fpe-532	Fitting, Swivel Elbow Male, 1/8" MPT x 5/32"	4

22	alc-1	Load Cell Assembly, WSB-100	1
23	as05-01	Weigh Bin, WSB-100	1
24	ncy19	Air Cylinder for Weigh Bin	1
25	508-1	Weigh Bin Dump Flap, WSB-100	1
26	fpgF-2	Weigh Bin Coupler Body 1/8 MPT	1
27	fbc52	Weigh Bin Female Connector, 1/8 FPT x 5/32 PTL	1
28	fbc42-1	Sensor Blow Off 1/8" MPT x 1/4" Press Connector	1

29	esle	Safety Interlock Switch & Key	1
30	as583-1	Hinged Door Assembly, WSB-100	1
31	583-1	Mix Chamber Door, WSB-100	1
32	581-1F	Hinged Perspex Front Window, WSB-100	1
33	5G1-B	Fixed Rear Perspex Window	1
34	hl04	Draw Latch	3

35	525-1W	Mix Blade, WSB-100	1
36	518-1	Mix Chamber Saddle, WSB-100	1
37	asps-02M	18mm Level Sensor, Twist-Loc Plug, WSB-100	1
38	ehsx03M	18mm Level Sensor	1
39	asps-02C	Twist-Loc Plug	1
40	m4z520	Mix Motor 45RPM 230V	1

41	as06-42	Solenoid Tray Assembly 6-Segment 230V	1
43	n/12BG	Recoil Hose & Air Blow Gun 1/4" NPT	1
44	asam117	17 Pin Amphenol Connector Assembly	1
45	564-AB	Actuator Block	1
46	ehc13-04	Terminal Strip, 4-circuit, 20A 300V	1
47	ehc13-10	Terminal Strip, 10-circuit, 20A 300V	1
48	epge	Receptacle Female 3-pin Euro	1
49	nfr	Air filter-Regulator-Gauge-40cfm (WSB)	1
50	nv24-6	Solenoid Valve Set of 6, 24Volt	1
52	nv24-sol	Solenoid Valve Single 24Volt	6
53	nv08-05	Weigh Bin Flow Control, 1/8 MPT x 5/32PTL	1

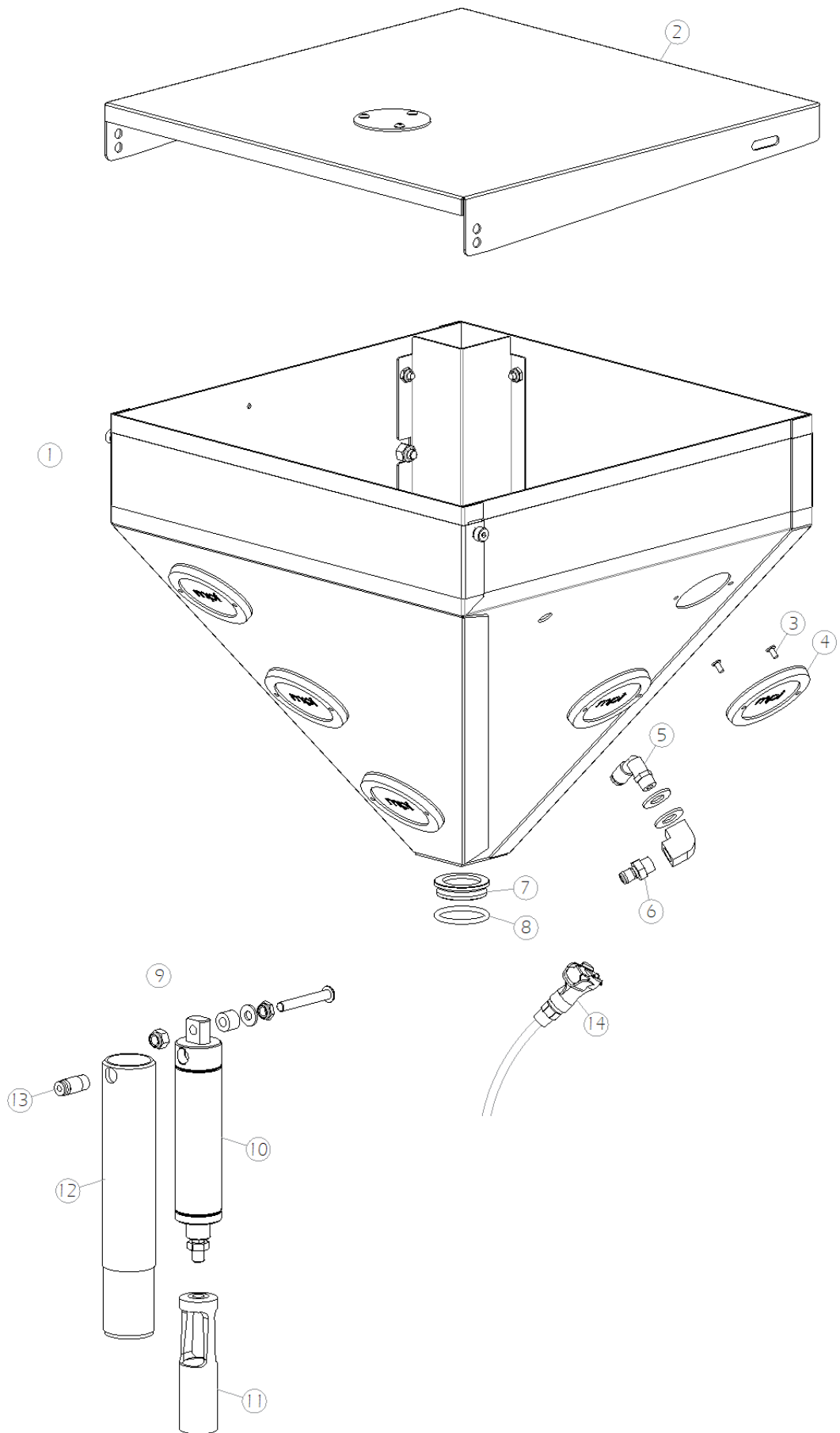


THIS DRAWING IS THE PROPERTY OF MAGUIRE PRODUCTS INC. AND MUST BE RETURNED ON REQUEST IF MUST NOT BE COPIED OR PASSED TO A THIRD PARTY. DRAWING IS NOT TO SCALE.	TITLE WSB-140R		MAGUIRE® <i>Intelligent Simplicity</i>
	DRAWN	DATE	
	FF	12/11/2017	

Removable Hopper - Pivot Valve

Item	Code	Description	Quantity
1	as543L	Removable Hopper, Left Pivot (Additive)	1
1	as543R	Removable Hopper, Right Pivot (Color)	1
2	505-1RL	Removable Hopper Lid, Hinged	1
3	sr2-2	Pop Rivet, 1/8" Dia. 1/8 - 3/16 grip	10
4	psa13	Sight Glass, MPI Logo, Polycarb	5
5	fpe-532	Fitting, Swivel Elbow Male, 1/8" MPT x 5/32"	1
6	fpqM	Quick Connect, male , 1/8 MPT	1
7	305-T10	1" Valve Bushing Insert	1
8	go-214v	1" O-ring	1
9	as333S10	1" Pivot Valve Assembly	1
10	ncy36	Air Cylinder, 1" Bore, 1.5" stroke, Spring Return	1
11	333-10S	1" Pivot Valve	1
12	as330-1L	1" Skirted Hood Assembly	1
13	fpc532-1	Connector, Internal Hex, 1/8 MPT x 5/32 Press-In	1
14	fpqF	Coupler Body, Plastic, 5/32 Tube Shutoff	1

*Left hopper show in picture

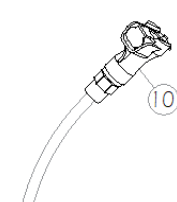
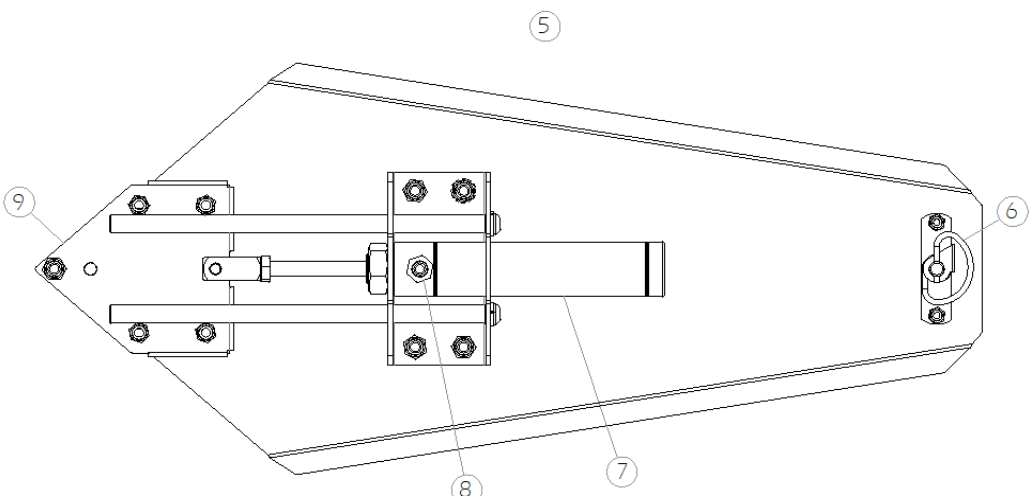
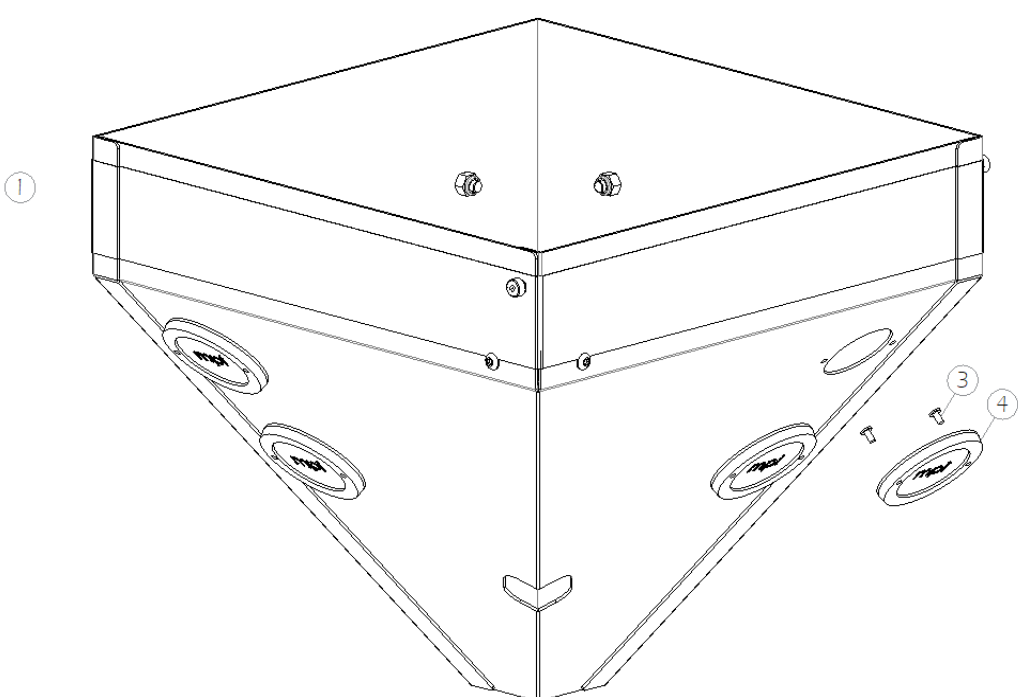
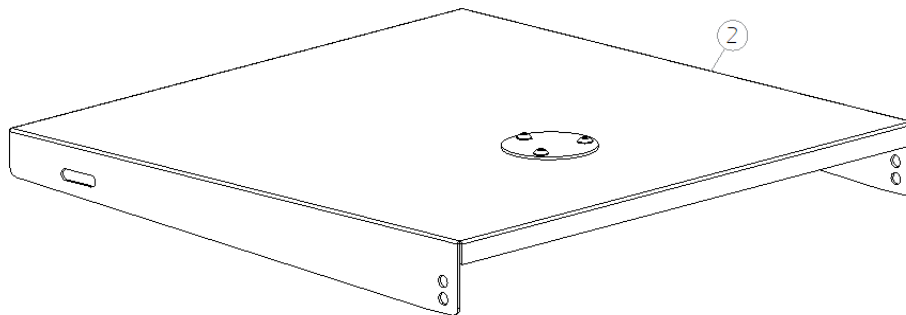


<p>THIS DRAWING IS THE PROPERTY OF MAGUIRE PRODUCTS INC. AND MUST BE RETURNED ON REQUEST IF MUST NOT BE COPIED OR PASSED TO A THIRD PARTY. DRAWING IS NOT TO SCALE.</p>	<p>TITLE Removable Hopper Pivot Valve</p>		<p>MAGUIRE[®] Intelligent Simplicity</p>
	<p>DRAWN FF</p>	<p>DATE 12/11/2017</p>	

Removable Hopper - Corner Valve

Item	Code	Description	Quantity
1	as544L	Removable Hopper, Left Corner Valve (Additive)	1
1	as544R	Removable Hopper, Right Corner Valve (Color)	1
2	505-1RL	Removable Hopper Lid, Hinged	1
3	sr2-2	Pop Rivet, 1/8" Dia. 1/8 - 3/16 grip	8
4	psa13	Sight Glass, MPI Logo, Polycarb	4
5	as340D1	Corner Valve Assembly WSB-100/200/400	1
6	hl23T	Spring Latch T-bar Grip	1
7	ncy70	Air Cylinder, 1" Bore, 2" Stroke, Spring Extend	1
8	fpqM	Quick Connect, male, 1/8 MPT	1
9	340D1G	Corner Valve Gasket	1
10	fpqF	Coupler Body, Plastic, 5/32 Tube Shutoff	1

*Right hopper show in picture



<p>THIS DRAWING IS THE PROPERTY OF MAGUIRE PRODUCTS INC. AND MUST BE RETURNED ON REQUEST IF MUST NOT BE COPIED OR PASSED TO A THIRD PARTY. DRAWING IS NOT TO SCALE.</p>	<p>TITLE Removable Hopper Corner Valve</p>		<p>MAGUIRE[®] Intelligent Simplicity</p>
	<p>DRAWN FF</p>	<p>DATE 12/11/2017</p>	

WSB-140

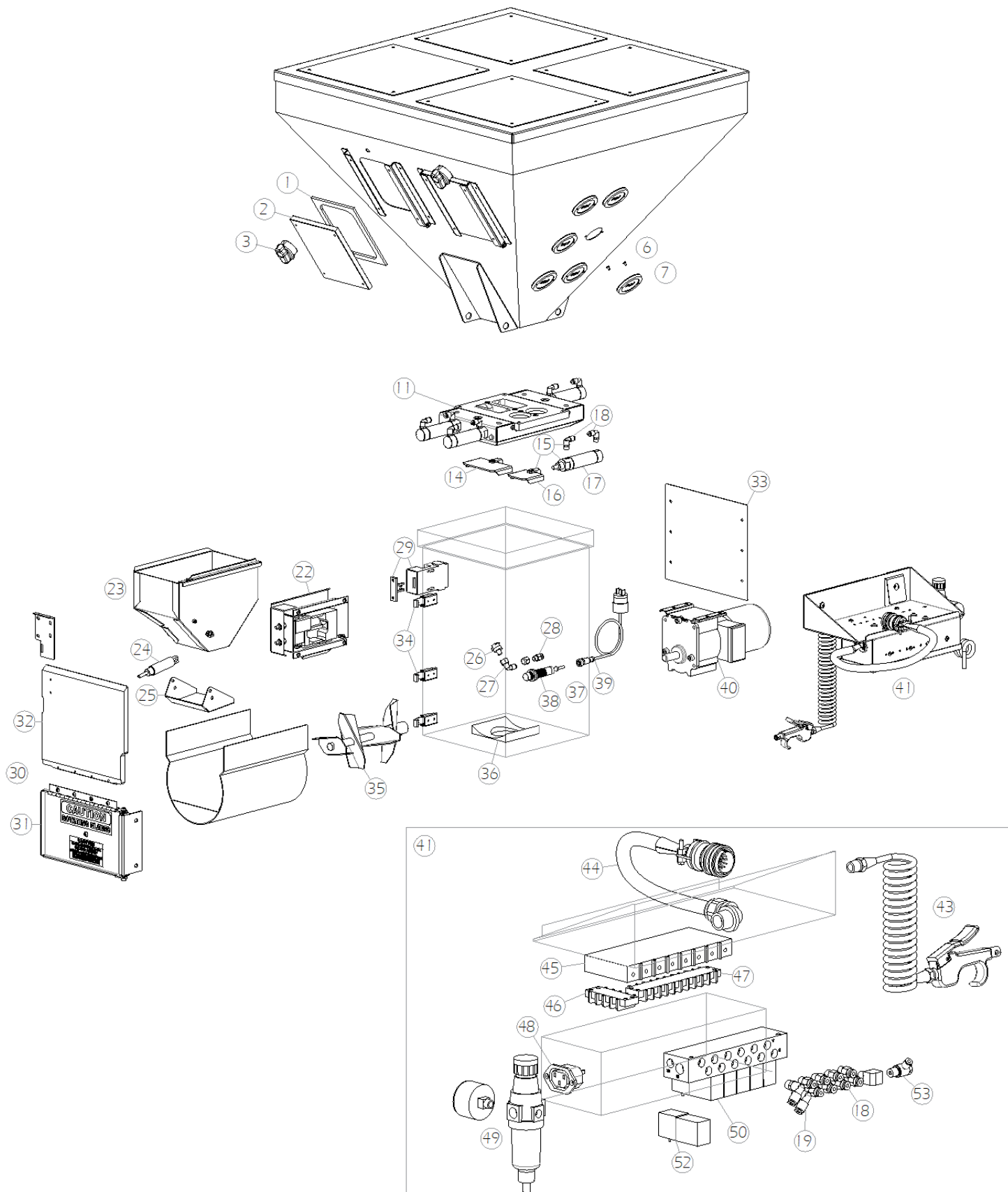
Item	Code	Description	Quantity
1	505-1WG	Hopper Window Gasket 4"x6"	4
2	505-1W	Hopper Window 4"x6"	4
3	as505-K	Knob Assembly, WSB Hopper Window, Red	4
6	sr2-2	Pop Rivet, 1/8" Dia. 1/8 - 3/16 grip	24
7	psa13	Sight Glass, MPI Logo, Polycarb	12
11	as545	Valve Deck WSB-140R	1
13	as5396VL	Slider & Clevis Assembly, Large	2
14	539-16VL	Slide Valve Large	2
15	as5396VS	Slider & Clevis Assembly, Small	2
16	539-16VS	Slide Valve Small	2
17	ncy1.5	Air Cylinder, 1" Bore, 1.5" Stroke, 2-way	4
18	fpe-532	Fitting, Swivel Elbow Male, 1/8" MPT x 5/32"	8

22	alc-1	Load Cell Assembly, WSB-100	1
23	as05-01	Weigh Bin, WSB-100	1
24	ncy19	Air Cylinder for Weigh Bin	1
25	508-1	Weigh Bin Dump Flap, WSB-100	1
26	fpgF-2	Weigh Bin Coupler Body 1/8 MPT	1
27	fbc52	Weigh Bin Female Connector, 1/8 FPT x 5/32 PTL	1
28	fbc42-1	Sensor Blow Off 1/8" MPT x 1/4" Press Connector	1

29	esle	Safety Interlock Switch & Key	1
30	as583-1	Hinged Door Assembly, WSB-100	1
31	583-1	Mix Chamber Door, WSB-100	1
32	581-1F	Hinged Perspex Front Window, WSB-100	1
33	5G1-B	Fixed Rear Perspex Window	1
34	hl04	Draw Latch	3

35	525-1W	Mix Blade, WSB-100	1
36	518-1	Mix Chamber Saddle, WSB-100	1
37	asps-02M	18mm Level Sensor, Twist-Loc Plug, WSB-100	1
38	ehsx03M	18mm Level Sensor	1
39	asps-02C	Twist-Loc Plug	1
40	m4z520	Mix Motor 45RPM 230V	1

41	as06-42	Solenoid Tray Assembly 6-Segment 230V	1
43	n/12BG	Recoil Hose & Air Blow Gun 1/4" NPT	1
44	asam117	17 Pin Amphenol Connector Assembly	1
45	564-AB	Actuator Block	1
46	ehc13-04	Terminal Strip, 4-circuit, 20A 300V	1
47	ehc13-10	Terminal Strip, 10-circuit, 20A 300V	1
48	epge	Receptacle Female 3-pin Euro	1
49	nfr	Air filter-Regulator-Gauge-40cfm (WSB)	1
50	nv24-6	Solenoid Valve Set of 6, 24Volt	1
52	nv24-sol	Solenoid Valve Single 24Volt	6
53	nv08-05	Weigh Bin Flow Control, 1/8 MPT x 5/32PTL	1



<p>THIS DRAWING IS THE PROPERTY OF MAGUIRE PRODUCTS INC. AND MUST BE RETURNED ON REQUEST IF MUST NOT BE COPIED OR PASSED TO A THIRD PARTY. DRAWING IS NOT TO SCALE.</p>	<p>TITLE WSB-140</p>		<p>MAGUIRE® Intelligent Simplicity</p>
	<p>DRAWN FF</p>	<p>DATE 12/11/2017</p>	

WSB-150

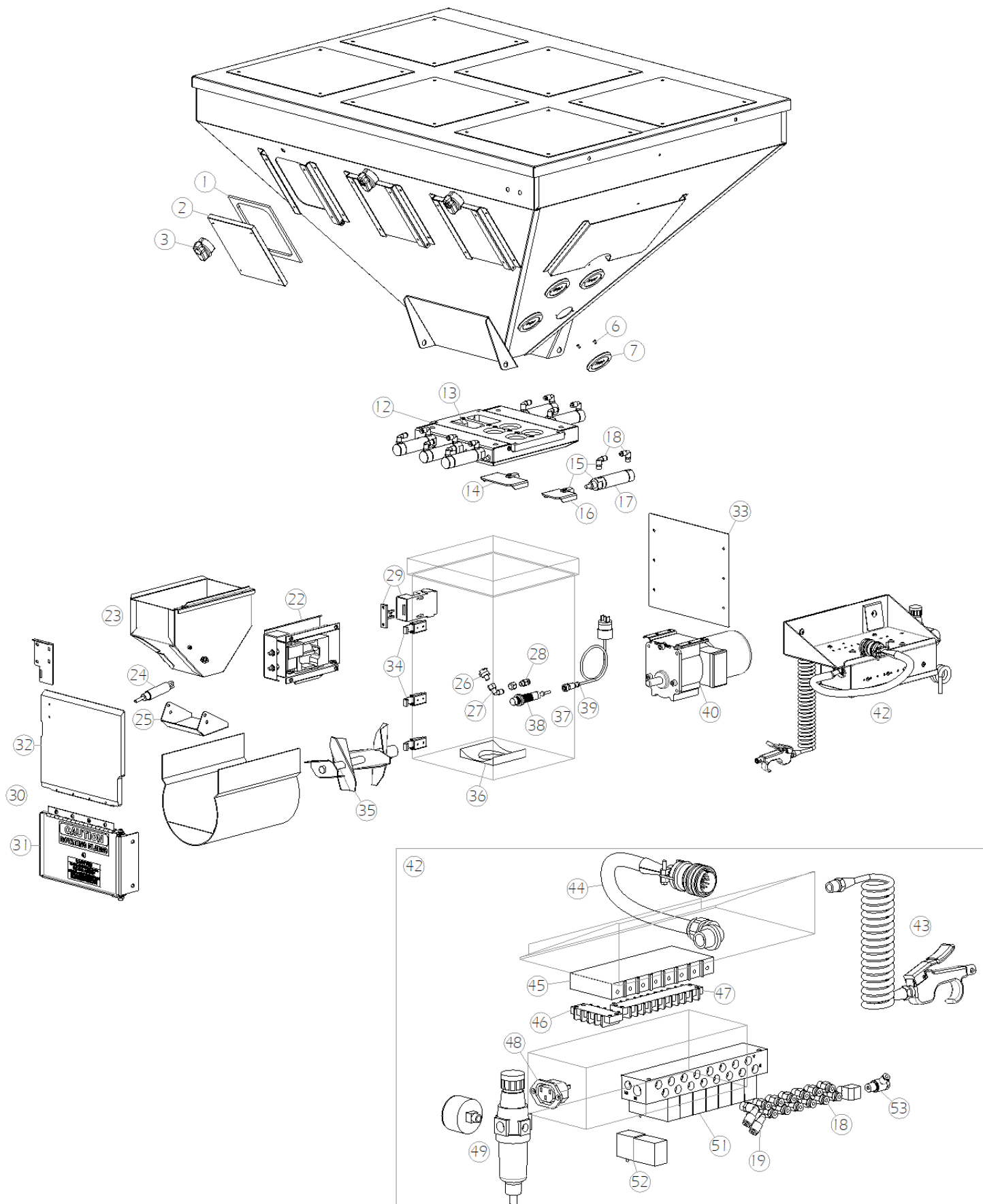
Item	Code	Description	Quantity
1	505-1WG	Hopper Window Gasket 4"x6"	6
2	505-1W	Hopper Window 4"x6"	6
3	as505-K	Knob Assembly, WSB Hopper Window, Red	6
6	sr2-2	Pop Rivet, 1/8" Dia. 1/8 - 3/16 grip	16
7	psa13	Sight Glass, MPI Logo, Polycarb	8
12	as545-6	Valve Deck WSB-150, WSB-160	1
13	as5396VL	Slider & Clevis Assembly, Large	2
14	539-16VL	Slide Valve Large	2
15	as5396VS	Slider & Clevis Assembly, Small	4
16	539-16VS	Slide Valve Small	4
17	ncy1.5	Air Cylinder, 1" Bore, 1.5" Stroke, 2-way	6
18	fpe-532	Fitting, Swivel Elbow Male, 1/8" MPT x 5/32"	12

22	alc-1	Load Cell Assembly, WSB-100	1
23	as05-01	Weigh Bin, WSB-100	1
24	ncy19	Air Cylinder for Weigh Bin	1
25	508-1	Weigh Bin Dump Flap, WSB-100	1
26	fpgF-2	Weigh Bin Coupler Body 1/8 MPT	1
27	fbc52	Weigh Bin Female Connector, 1/8 FPT x 5/32 PTL	1
28	fbc42-1	Sensor Blow Off 1/8" MPT x 1/4" Press Connector	1

29	esle	Safety Interlock Switch & Key	1
30	as583-1	Hinged Door Assembly, WSB-100	1
31	583-1	Mix Chamber Door, WSB-100	1
32	581-1F	Hinged Perspex Front Window, WSB-100	1
33	5G1-B	Fixed Rear Perspex Window	1
34	hl04	Draw Latch	3

35	525-1W	Mix Blade, WSB-100	1
36	518-1	Mix Chamber Saddle, WSB-100	1
37	asps-02M	18mm Level Sensor, Twist-Loc Plug, WSB-100	1
38	ehsx03M	18mm Level Sensor	1
39	asps-02C	Twist-Loc Plug	1
40	m4z520	Mix Motor 45RPM 230V	1

41	as06-62	Solenoid Tray Assembly 8-Segment 230V	1
43	n/12BG	Recoil Hose & Air Blow Gun 1/4" NPT	1
44	asam117	17 Pin Amphenol Connector Assembly	1
45	564-AB	Actuator Block	1
46	ehc13-04	Terminal Strip, 4-circuit, 20A 300V	1
47	ehc13-10	Terminal Strip, 10-circuit, 20A 300V	1
48	epge	Receptacle Female 3-pin Euro	1
49	nfr	Air filter-Regulator-Gauge-40cfm (WSB)	1
51	nv24-8	Solenoid Valve Set of 8, 24Volt	1
52	nv24-sol	Solenoid Valve Single 24Volt	8
53	nv08-05	Weigh Bin Flow Control, 1/8 MPT x 5/32PTL	1



<p>THIS DRAWING IS THE PROPERTY OF MAGUIRE PRODUCTS INC. AND MUST BE RETURNED ON REQUEST IF NOT TO BE COPIED OR PASSED TO A THIRD PARTY. DRAWING IS NOT TO SCALE.</p>	<p>TITLE</p> <p>WSB-150</p>		<p>MAGUIRE® Intelligent Simplicity</p>
	<p>DRAWN</p> <p>FF</p>	<p>DATE</p> <p>12/11/2017</p>	

WSB-160

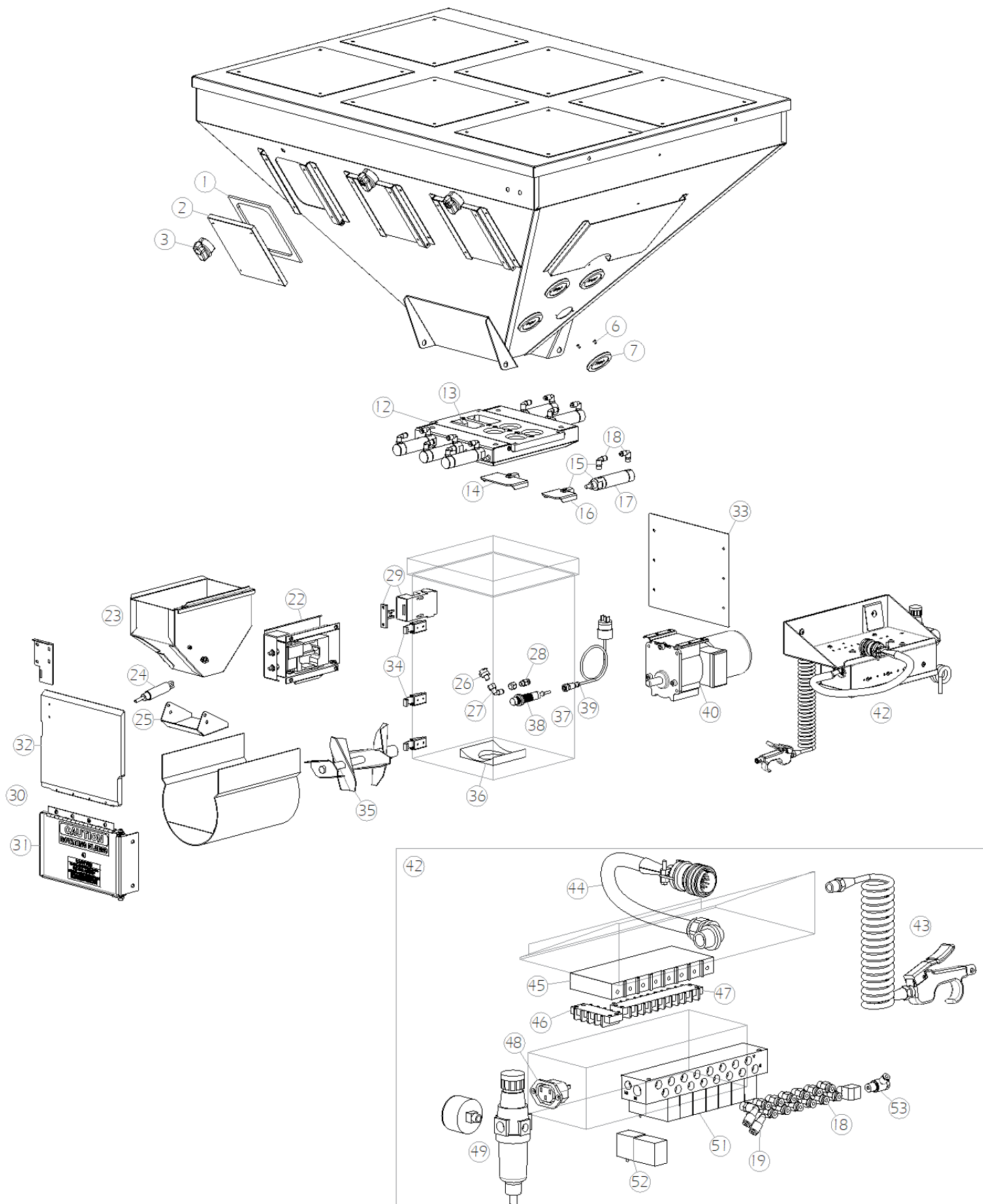
Item	Code	Description	Quantity
1	505-1WG	Hopper Window Gasket 4"x6"	6
2	505-1W	Hopper Window 4"x6"	6
3	as505-K	Knob Assembly, WSB Hopper Window, Red	6
6	sr2-2	Pop Rivet, 1/8" Dia. 1/8 - 3/16 grip	16
7	psa13	Sight Glass, MPI Logo, Polycarb	8
12	as545-6	Valve Deck WSB-150, WSB-160	1
13	as5396VL	Slider & Clevis Assembly, Large	2
14	539-16VL	Slide Valve Large	2
15	as5396VS	Slider & Clevis Assembly, Small	4
16	539-16VS	Slide Valve Small	4
17	ncy1.5	Air Cylinder, 1" Bore, 1.5" Stroke, 2-way	6
18	fpe-532	Fitting, Swivel Elbow Male, 1/8" MPT x 5/32"	12

22	alc-1	Load Cell Assembly, WSB-100	1
23	as05-01	Weigh Bin, WSB-100	1
24	ncy19	Air Cylinder for Weigh Bin	1
25	508-1	Weigh Bin Dump Flap, WSB-100	1
26	fpgF-2	Weigh Bin Coupler Body 1/8 MPT	1
27	fbc52	Weigh Bin Female Connector, 1/8 FPT x 5/32 PTL	1
28	fbc42-1	Sensor Blow Off 1/8" MPT x 1/4" Press Connector	1

29	esle	Safety Interlock Switch & Key	1
30	as583-1	Hinged Door Assembly, WSB-100	1
31	583-1	Mix Chamber Door, WSB-100	1
32	581-1F	Hinged Perspex Front Window, WSB-100	1
33	5G1-B	Fixed Rear Perspex Window	1
34	hl04	Draw Latch	3

35	525-1W	Mix Blade, WSB-100	1
36	518-1	Mix Chamber Saddle, WSB-100	1
37	asps-02M	18mm Level Sensor, Twist-Loc Plug, WSB-100	1
38	ehsx03M	18mm Level Sensor	1
39	asps-02C	Twist-Loc Plug	1
40	m4z520	Mix Motor 45RPM 230V	1

41	as06-62	Solenoid Tray Assembly 8-Segment 230V	1
43	n/12BG	Recoil Hose & Air Blow Gun 1/4" NPT	1
44	asam117	17 Pin Amphenol Connector Assembly	1
45	564-AB	Actuator Block	1
46	ehc13-04	Terminal Strip, 4-circuit, 20A 300V	1
47	ehc13-10	Terminal Strip, 10-circuit, 20A 300V	1
48	epge	Receptacle Female 3-pin Euro	1
49	nfr	Air filter-Regulator-Gauge-40cfm (WSB)	1
51	nv24-8	Solenoid Valve Set of 8, 24Volt	1
52	nv24-sol	Solenoid Valve Single 24Volt	8
53	nv08-05	Weigh Bin Flow Control, 1/8 MPT x 5/32PTL	1



<p>THIS DRAWING IS THE PROPERTY OF MAGUIRE PRODUCTS INC. AND MUST BE RETURNED ON REQUEST IF NOT TO BE COPIED OR PASSED TO A THIRD PARTY. DRAWING IS NOT TO SCALE.</p>	TITLE		<p>MAGUIRE[®] Intelligent Simplicity</p>
	WSB-160		
DRAWN	FF	DATE	12/11/2017