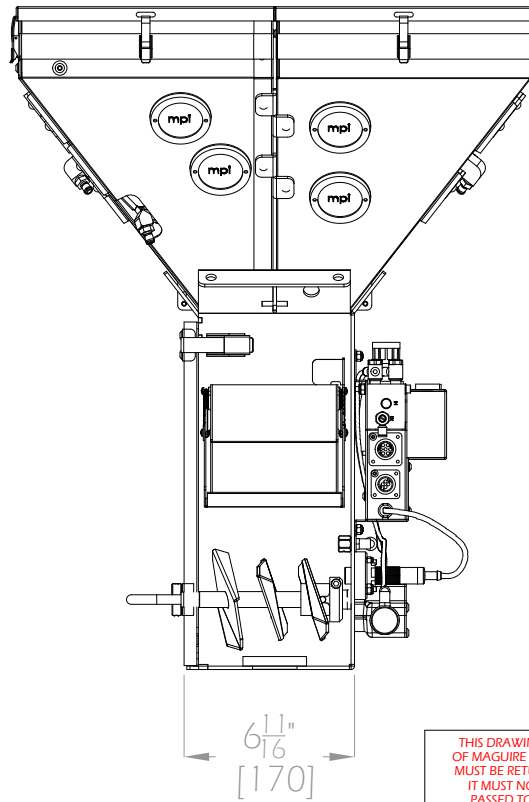
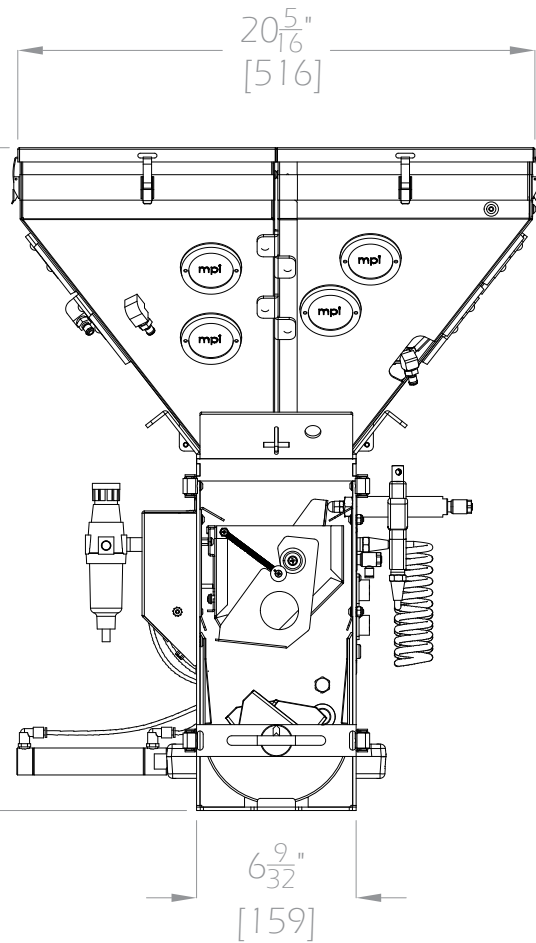
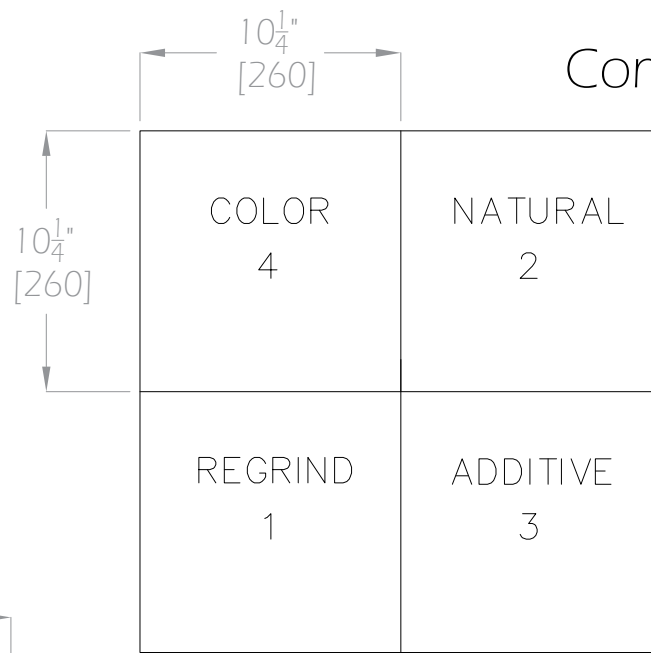
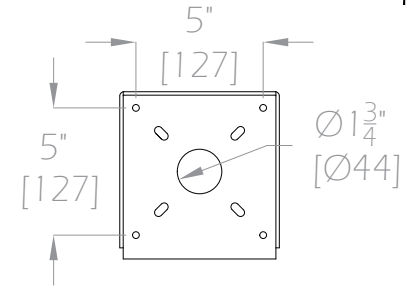


Compartments - 0.3 cu ft [8 Litres]



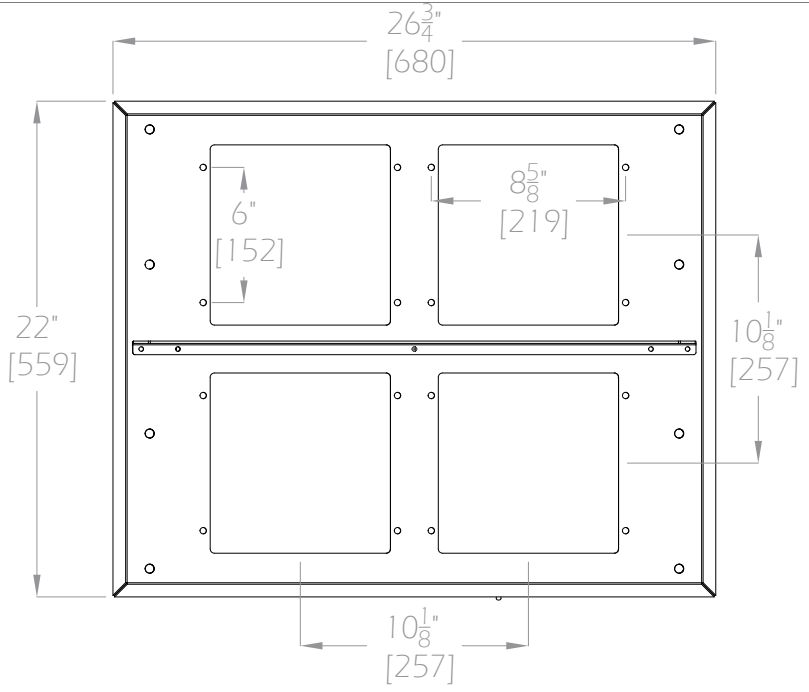
WSB-MB Footprint



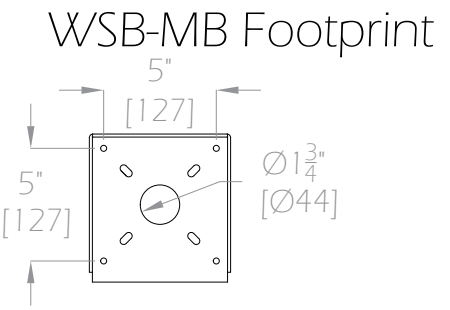
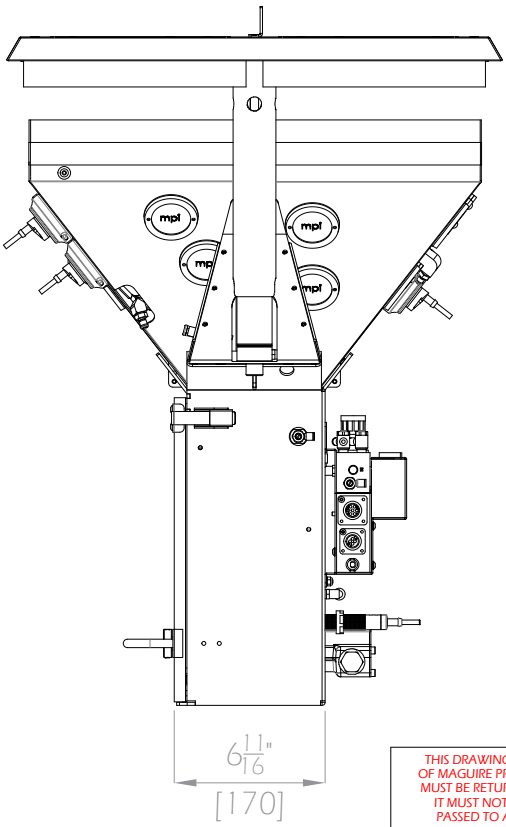
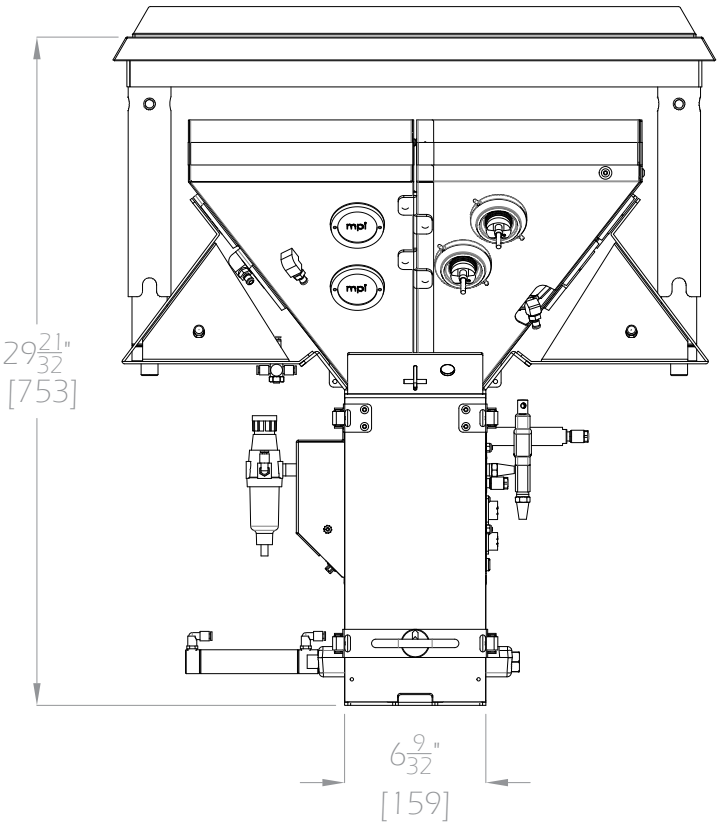
THIS DRAWING IS THE PROPERTY OF MAGUIRE PRODUCTS INC. AND MUST BE RETURNED ON REQUEST. IT MUST NOT BE COPIED OR PASSED TO A THIRD PARTY. DRAWING IS NOT TO SCALE.

TITLE		WSB-MB	
DRAWN	FF	DATE	08/01/2018

MAGUIRE
Intelligent Simplicity



Compartments - 0.3 cu ft [8 Litres]



<p>THIS DRAWING IS THE PROPERTY OF MAGUIRE PRODUCTS INC. AND MUST BE RETURNED ON REQUEST IT MUST NOT BE COPIED OR PASSED TO A THIRD PARTY. DRAWING IS NOT TO SCALE.</p>	TITLE	<p>WSB-MB +OPW-MLL</p>	<p>MAGUIRE® Intelligent Simplicity</p>
	DRAWN		
	FF	08/01/2018	