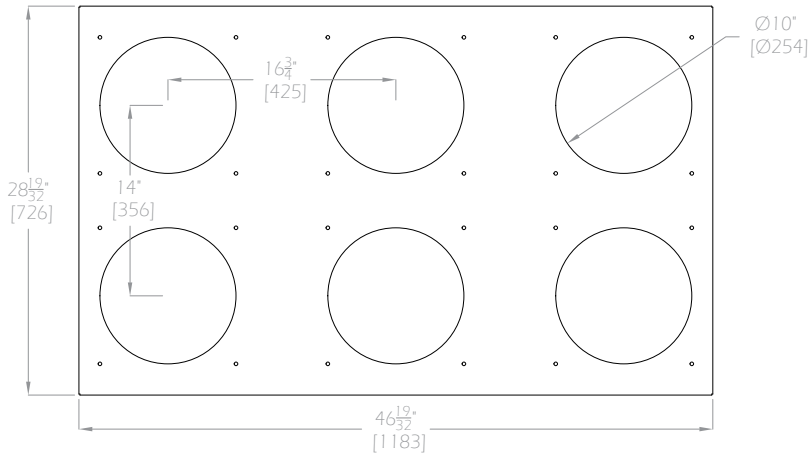
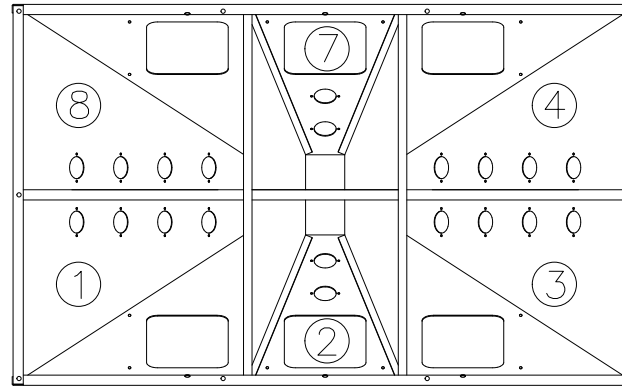


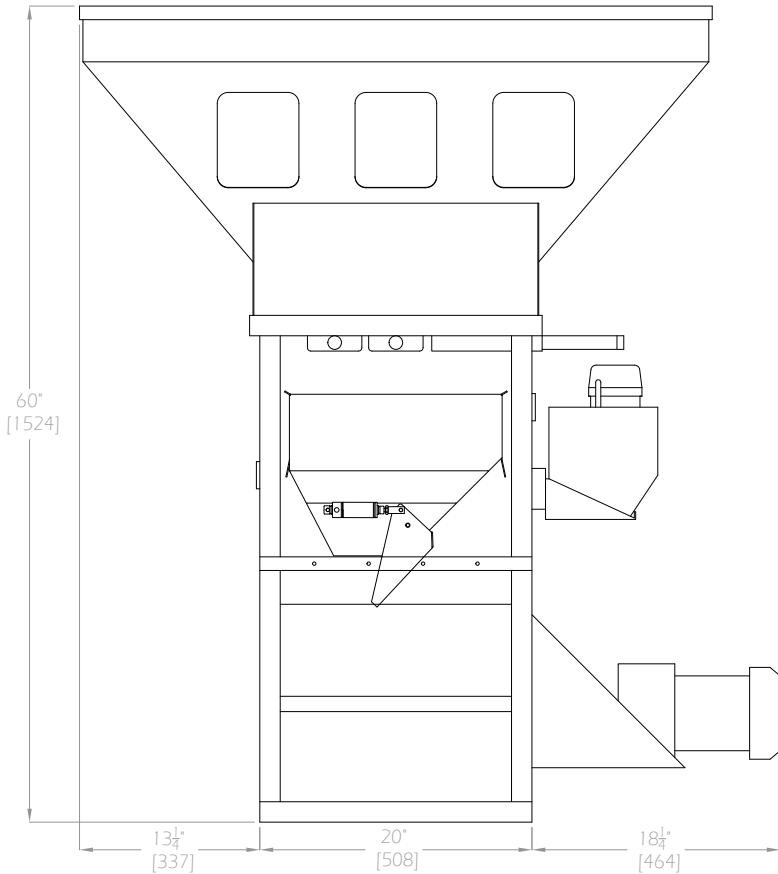
WSB-960 LID TOP VIEW



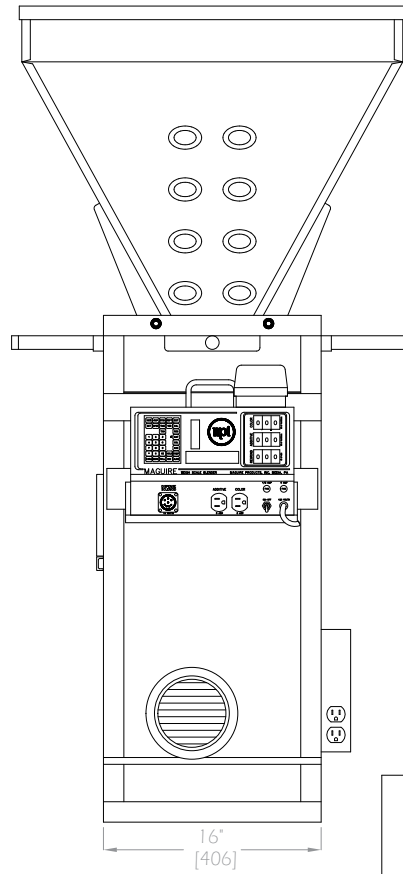
WSB-960 HOPPER TOP VIEW  
Mix Motor Side



WSB-960 FRONT VIEW

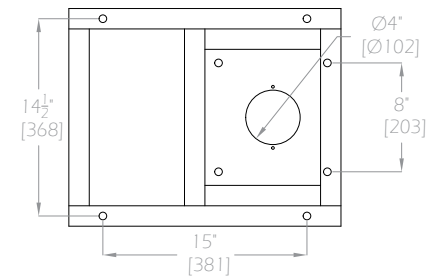


WSB-960 SIDE VIEW



Compartments 1,3,4,8 - 1.5 cu ft [42 Litres]  
Compartments 2 & 7 - 1 cu ft [28 Litres]

WSB-960 Footprint



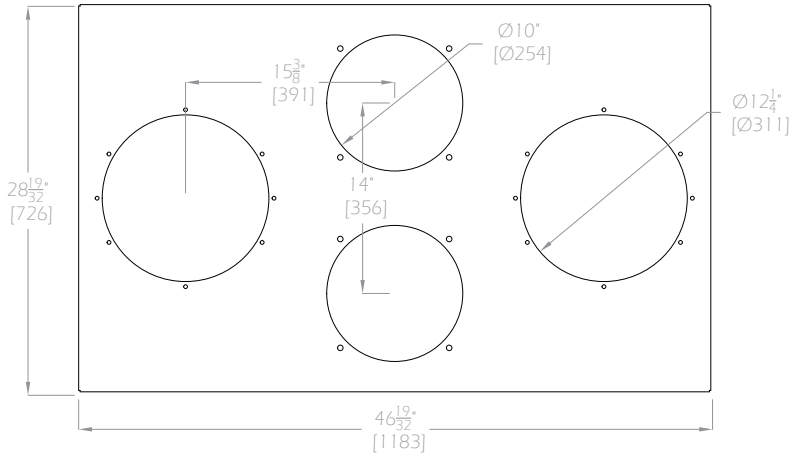
STD WSB Bottom Plate  
1/4" [6.4] Steel Plate

THIS DRAWING IS THE PROPERTY  
OF MAGUIRE PRODUCTS INC. AND  
MUST BE RETURNED ON REQUEST  
IT MUST NOT BE COPIED OR  
PASSED TO A THIRD PARTY.  
DRAWING IS NOT TO SCALE.

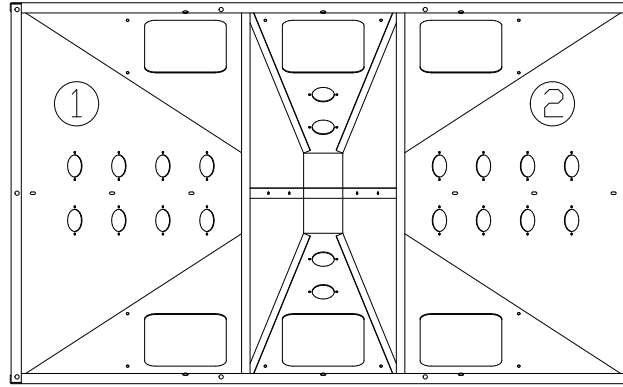
TITLE		WSB-960	
DRAWN	FF	DATE	08/01/2018

**MAGUIRE**<sup>®</sup>  
Intelligent Simplicity

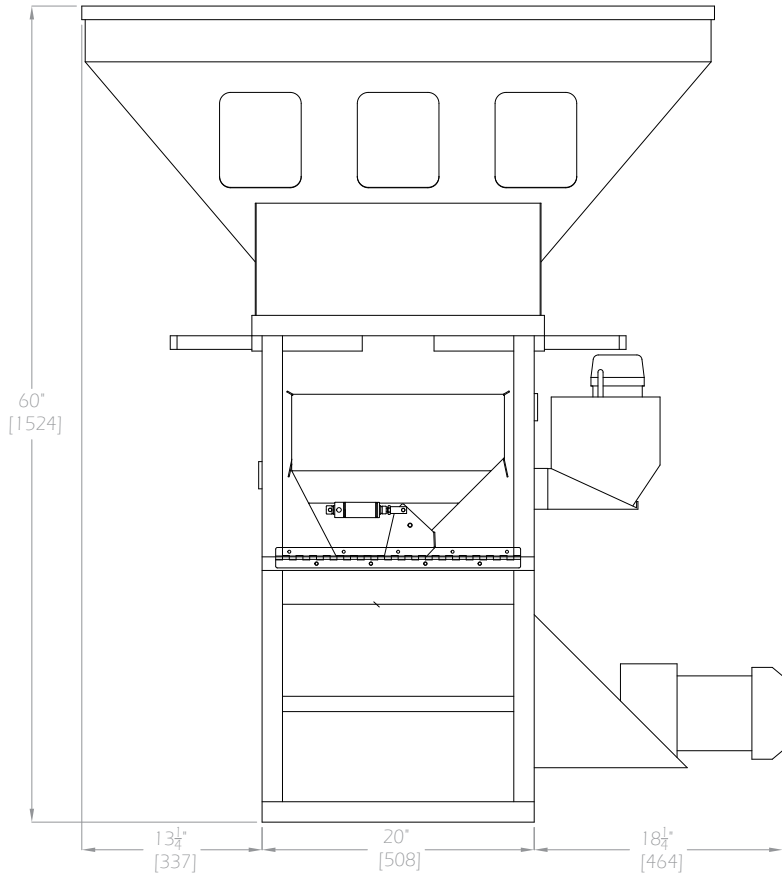
WSB-920 LID TOP VIEW



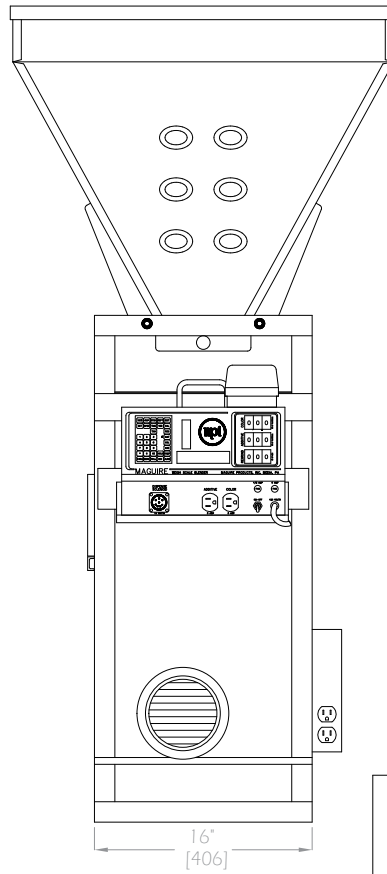
WSB-920 HOPPER TOP VIEW  
Mix Motor Side



WSB-920 FRONT VIEW

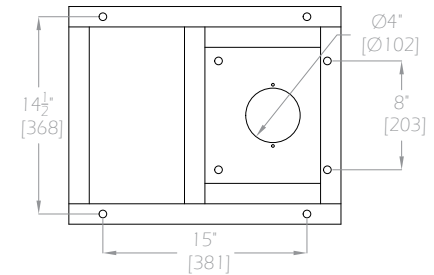


WSB-920 SIDE VIEW



Compartments - 3 cu ft [84 Litres]

WSB-920 Footprint



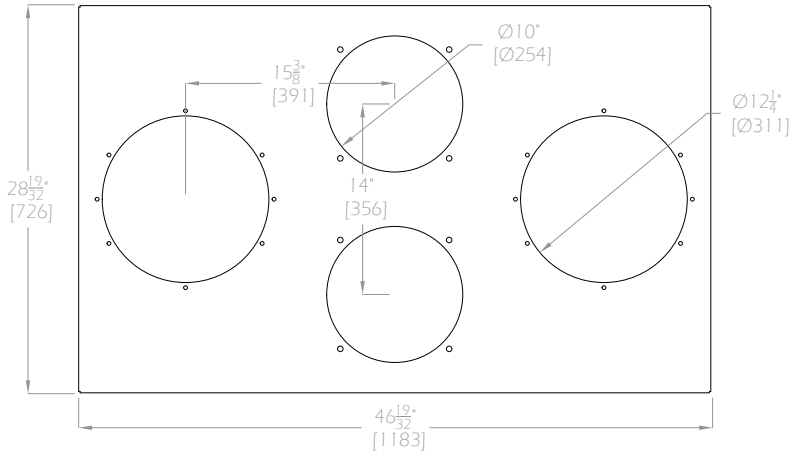
STD WSB Bottom Plate  
1/4" [6.4] Steel Plate

THIS DRAWING IS THE PROPERTY OF MAGUIRE PRODUCTS INC. AND MUST BE RETURNED ON REQUEST IT MUST NOT BE COPIED OR PASSED TO A THIRD PARTY. DRAWING IS NOT TO SCALE.

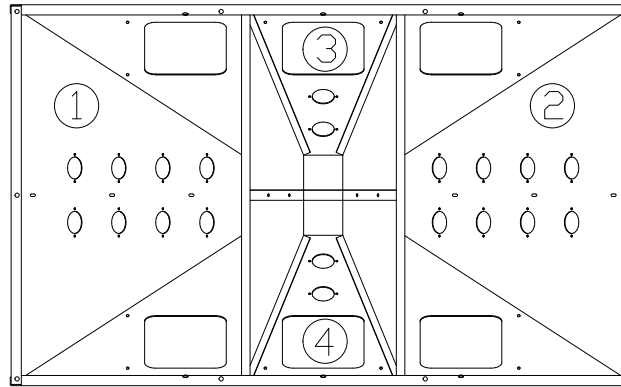
TITLE		WSB-920	
DRAWN	FF	DATE	08/01/2018

**MAGUIRE**  
Intelligent Simplicity

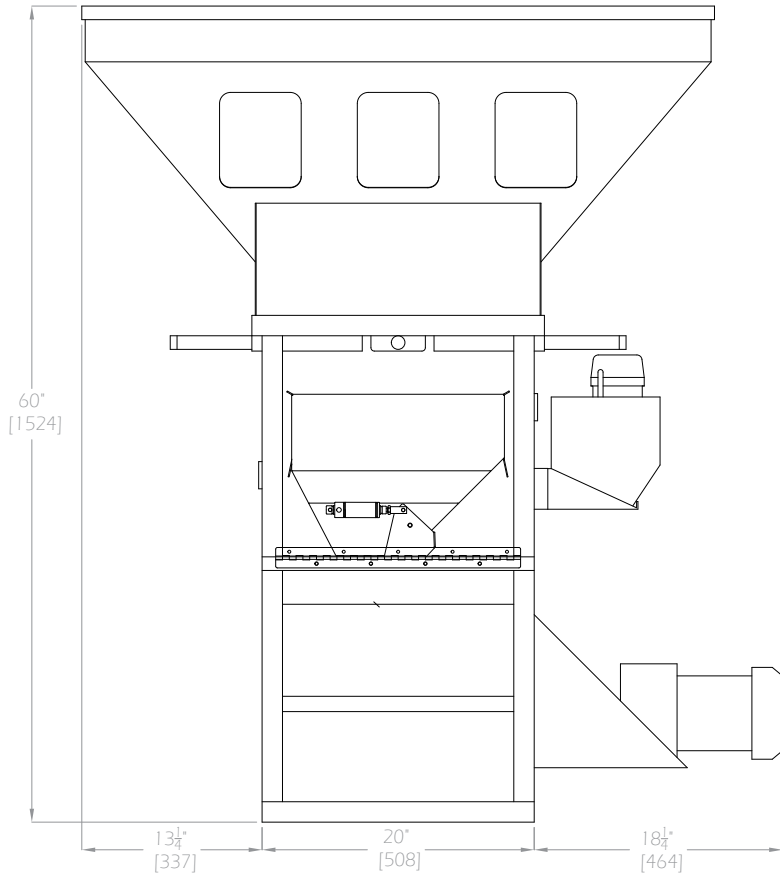
WSB-940 LID TOP VIEW



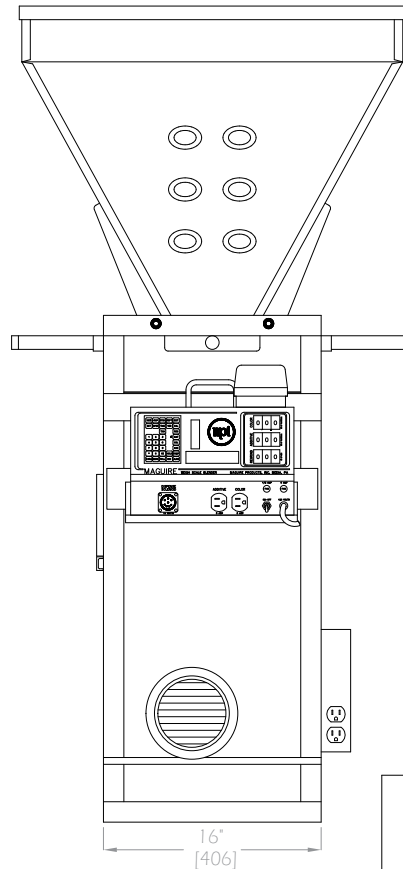
WSB-940 HOPPER TOP VIEW  
Mix Motor Side



WSB-940 FRONT VIEW

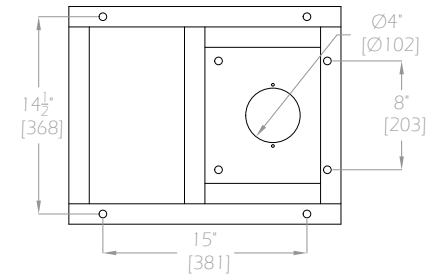


WSB-940 SIDE VIEW



Compartments 1 & 2 - 3 cu ft [84 Litres]  
Compartments 3 & 4 - 1 cu ft [28 Litres]

WSB-940 Footprint



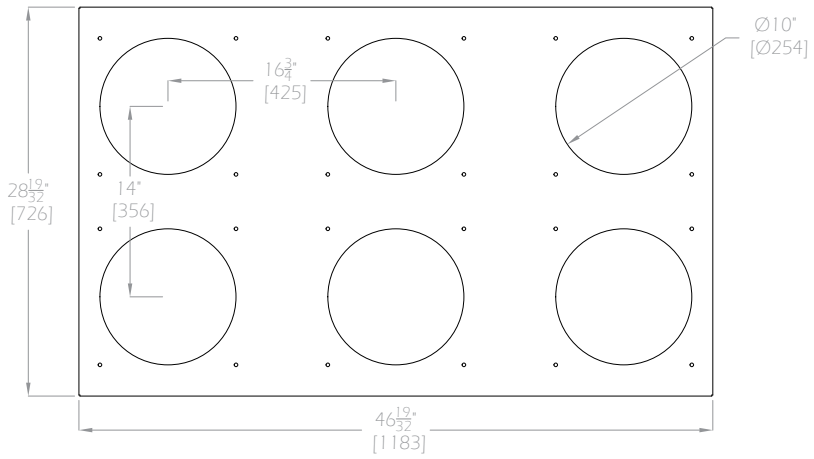
STD WSB Bottom Plate  
1/4" [6.4] Steel Plate

THIS DRAWING IS THE PROPERTY  
OF MAGUIRE PRODUCTS INC. AND  
MUST BE RETURNED ON REQUEST  
IT MUST NOT BE COPIED OR  
PASSED TO A THIRD PARTY.  
DRAWING IS NOT TO SCALE.

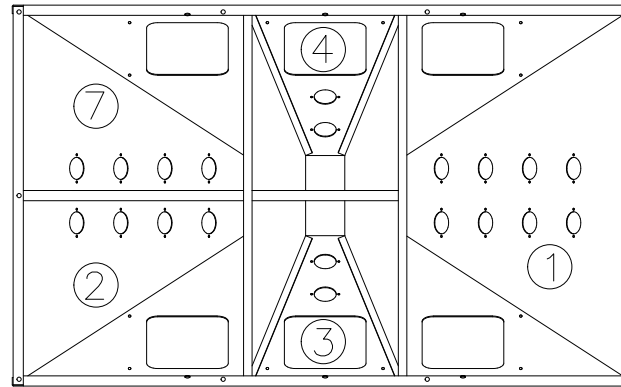
TITLE		WSB-940
DRAWN	DATE	
FF	08/01/2018	

**MAGUIRE**<sup>®</sup>  
Intelligent Simplicity

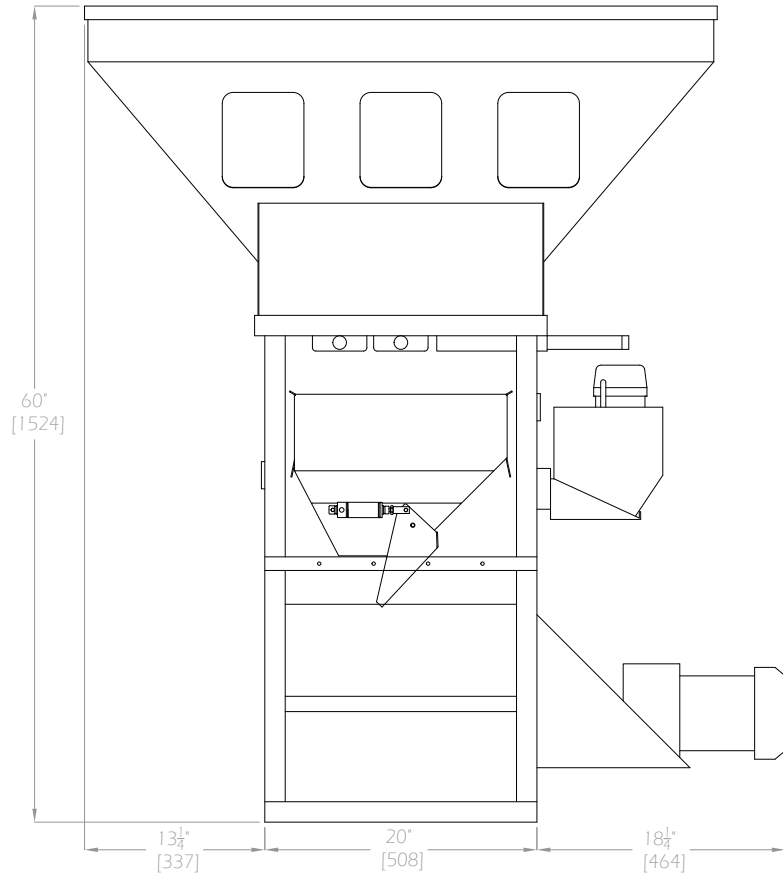
WSB-950 LID TOP VIEW



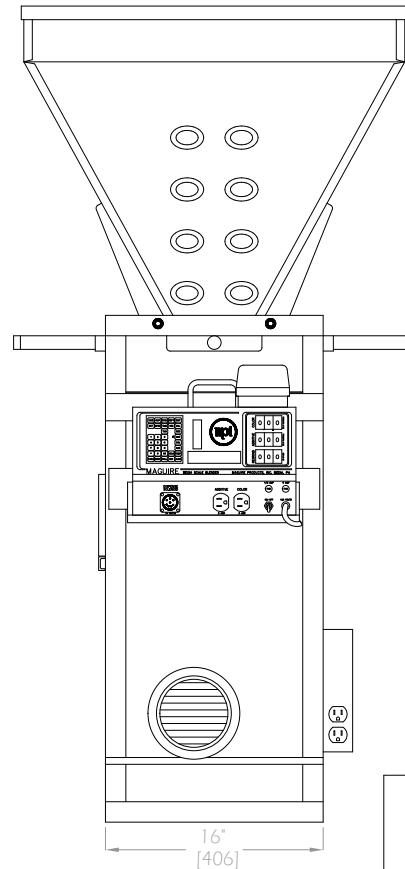
WSB-950 HOPPER TOP VIEW  
Mix Motor Side



WSB-950 FRONT VIEW

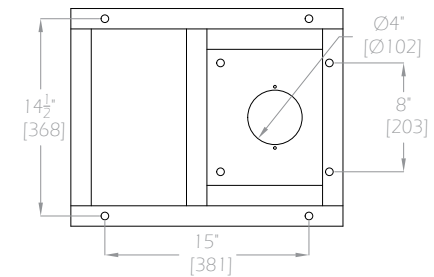


WSB-950 SIDE VIEW



Compartment 1 - 3 cu ft [84 Litres]  
 Compartments 3 & 4 - 1.5 cu ft [42 Litres]  
 Compartments 2 & 7 - 1 cu ft [28 Litres]

WSB-950 Footprint



STD WSB Bottom Plate  
 1/4" [6.4] Steel Plate

THIS DRAWING IS THE PROPERTY  
 OF MAGUIRE PRODUCTS INC. AND  
 MUST BE RETURNED ON REQUEST  
 IT MUST NOT BE COPIED OR  
 PASSED TO A THIRD PARTY.  
 DRAWING IS NOT TO SCALE.

TITLE		WSB-950	
DRAWN	FF	DATE	08/01/2018

**MAGUIRE**<sup>®</sup>  
 Intelligent Simplicity