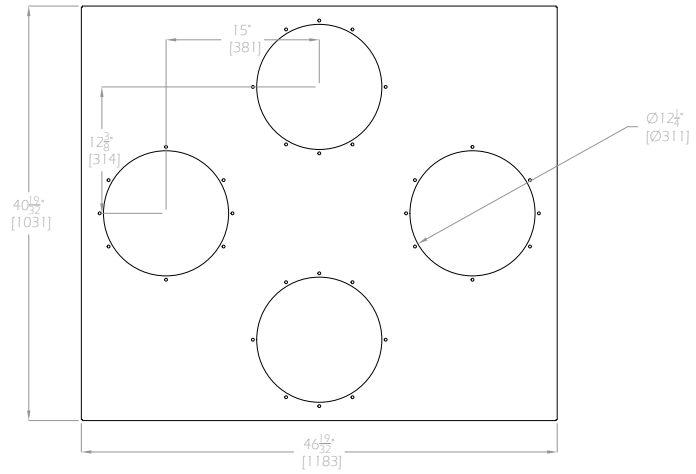
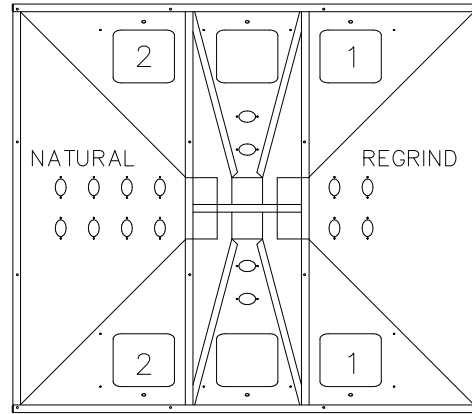


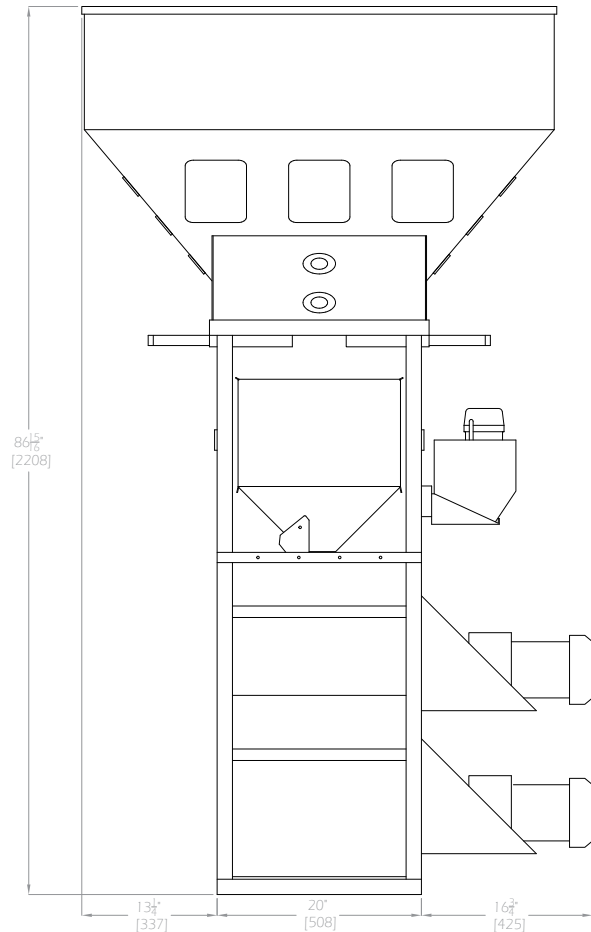
WSB-1820 LID TOP VIEW



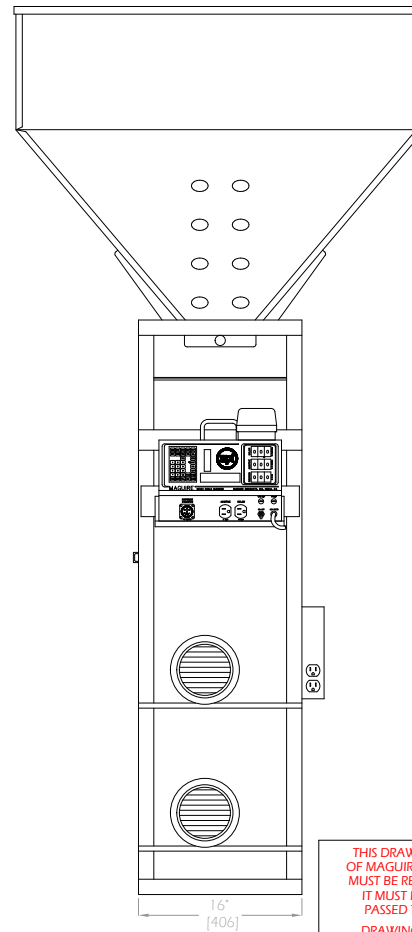
WSB-1820 HOPPER TOP VIEW
Mix Motor Side



WSB-1820 FRONT VIEW

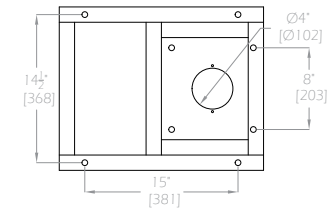


WSB-1820 SIDE VIEW



Compartments - 3 cu ft [84 Litres]

WSB-1820 Footprint



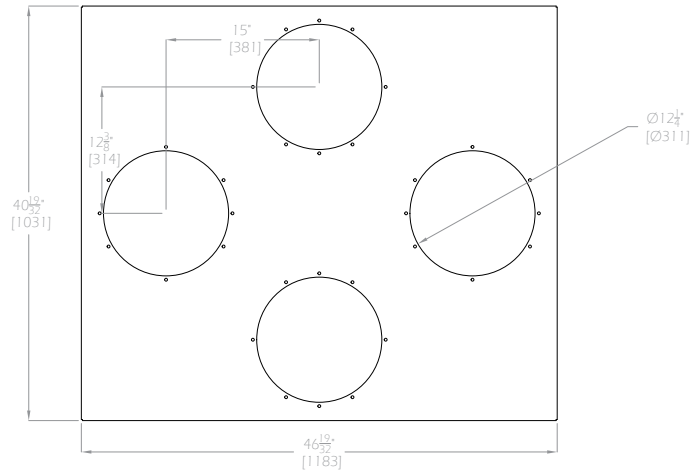
STD WSB Bottom Plate
1/4" [6.4] Steel Plate

THIS DRAWING IS THE PROPERTY
OF MAGUIRE PRODUCTS INC. AND
MUST BE RETURNED ON REQUEST
IT MUST NOT BE COPIED OR
PASSED TO A THIRD PARTY.
DRAWING IS NOT TO SCALE.

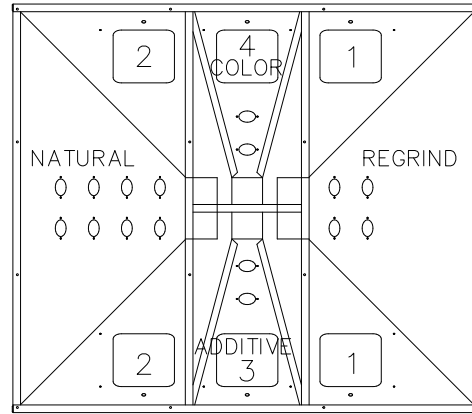
TITLE		WSB-1820	
DRAWN	FF	DATE	08/01/2018

MAGUIRE[®]
Intelligent Simplicity

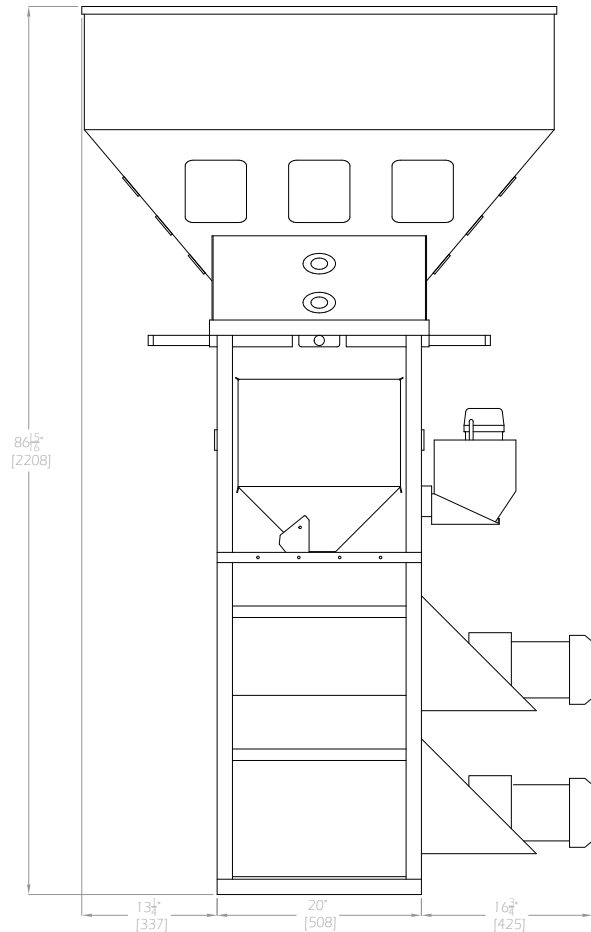
WSB-1840 LID TOP VIEW



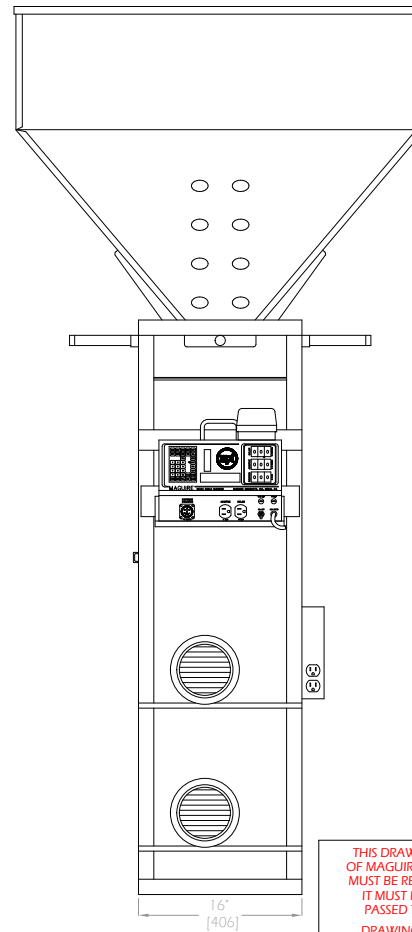
WSB-1840 HOPPER TOP VIEW
Mix Motor Side



WSB-1840 FRONT VIEW

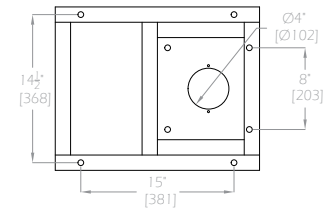


WSB-1840 SIDE VIEW



Compartments 1 & 2 - 6.6 cu ft [185 Litres]
Compartments 3 & 4 - 2.5 cu ft [70 Litres]

WSB-1840 Footprint



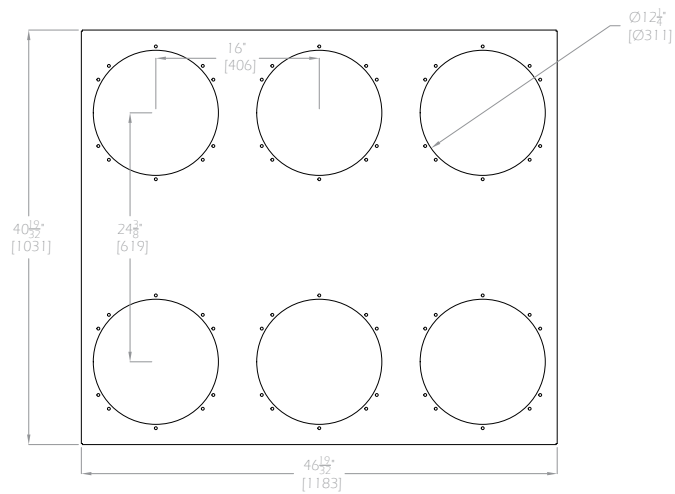
STD WSB Bottom Plate
1/4" [6.4] Steel Plate

THIS DRAWING IS THE PROPERTY
OF MAGUIRE PRODUCTS INC. AND
MUST BE RETURNED ON REQUEST
IT MUST NOT BE COPIED OR
PASSED TO A THIRD PARTY.
DRAWING IS NOT TO SCALE.

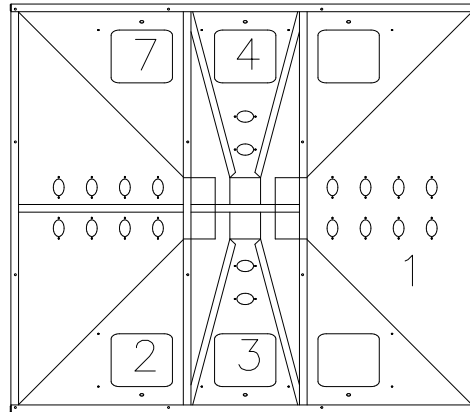
TITLE		WSB-1840	
DRAWN	FF	DATE	08/01/2018

MAGUIRE[®]
Intelligent Simplicity

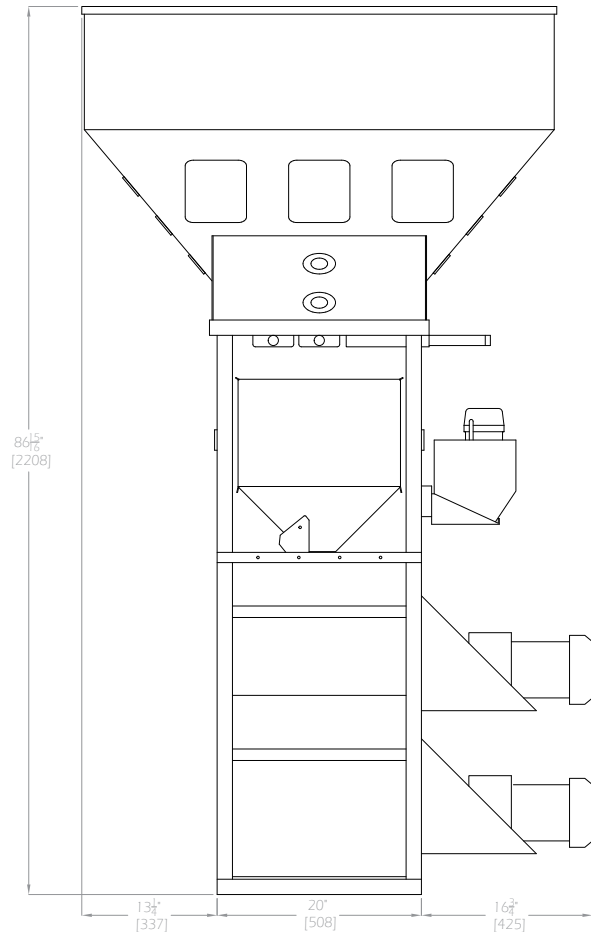
WSB-1850 LID TOP VIEW



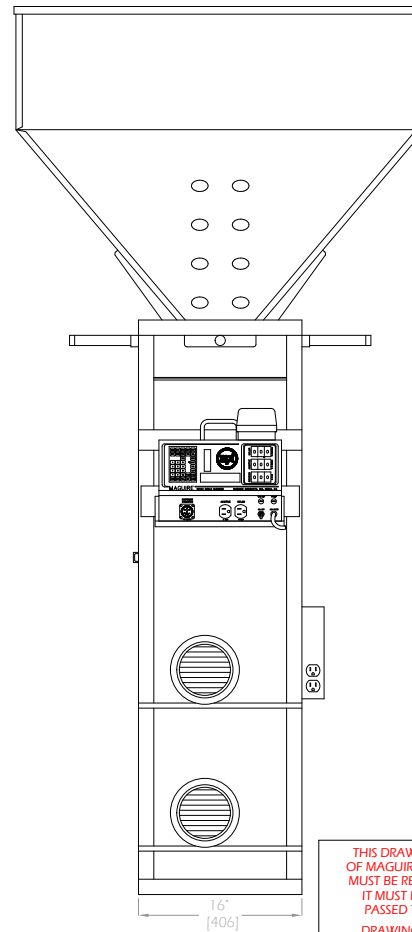
WSB-1850 HOPPER TOP VIEW
Mix Motor Side



WSB-1850 FRONT VIEW

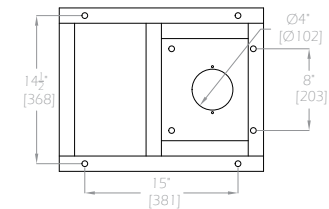


WSB-1850 SIDE VIEW



Compartment 1 - 6.6 cu ft [185 Litres]
 Compartments 3 & 4 - 3.3 cu ft [92 Litres]
 Compartments 2 & 7 - 2.5 cu ft [70 Litres]

WSB-1850 Footprint



STD WSB Bottom Plate
 1/4" [6.4] Steel Plate

THIS DRAWING IS THE PROPERTY
 OF MAGUIRE PRODUCTS INC. AND
 MUST BE RETURNED ON REQUEST
 IT MUST NOT BE COPIED OR
 PASSED TO A THIRD PARTY.
 DRAWING IS NOT TO SCALE.

TITLE		WSB-1850	
DRAWN	FF	DATE	08/01/2018

MAGUIRE[®]
 Intelligent Simplicity