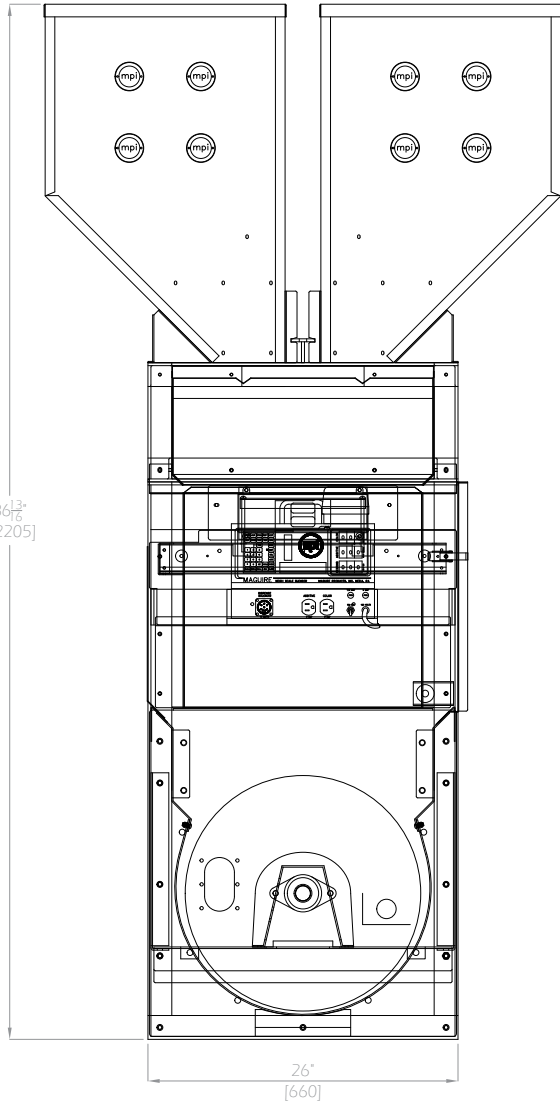
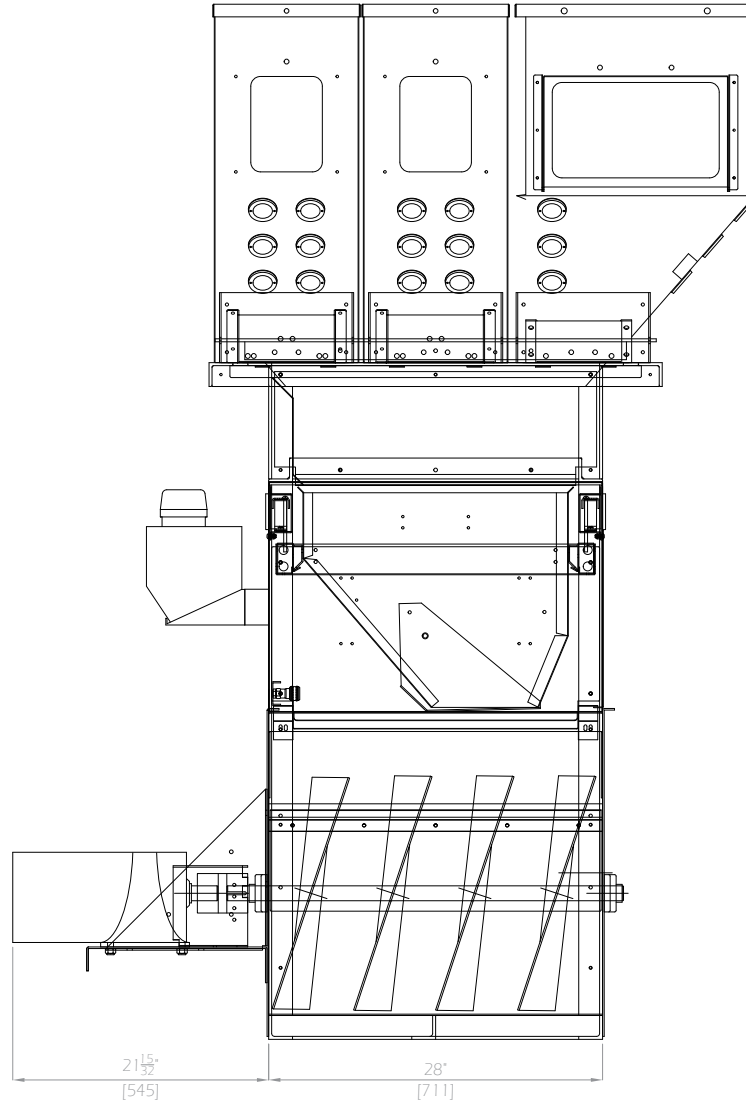


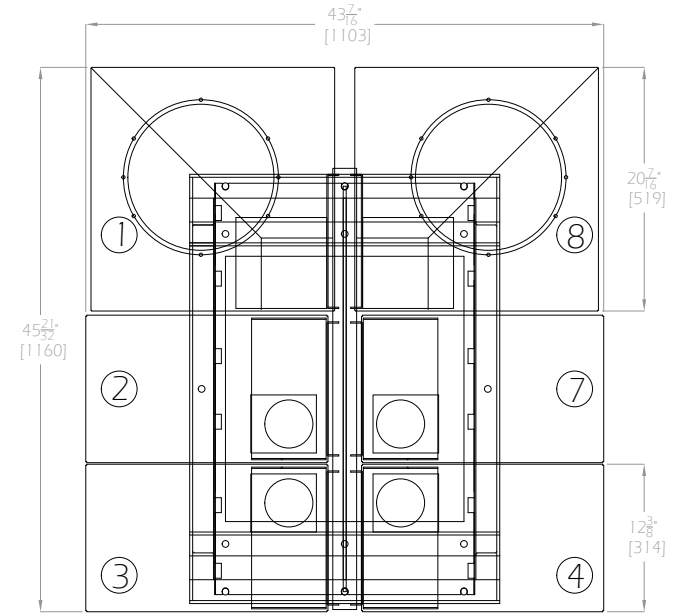
WSB 2460 FRONT VIEW



WSB 2460 SIDE VIEW



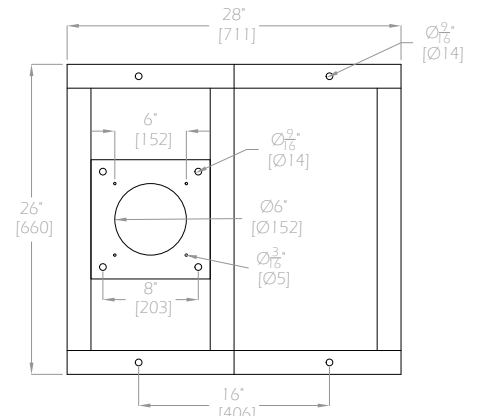
WSB-2400



WSB 2460 HOPPER-TOP VIEW

Compartments 1, 8 - 4 cu ft [112 Litres]
 Compartments 2,3,4,7 - 3 cu ft [84 Litres]

WSB-2400 Footprint

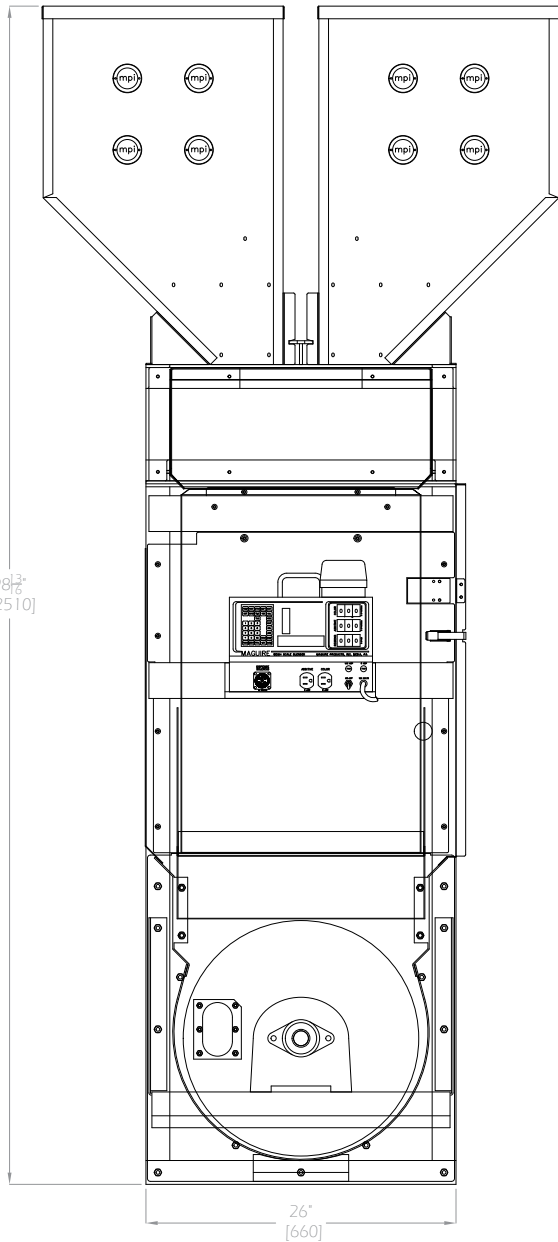


THIS DRAWING IS THE PROPERTY
 OF MAGUIRE PRODUCTS INC. AND
 MUST BE RETURNED ON REQUEST
 IT MUST NOT BE COPIED OR
 PASSED TO A THIRD PARTY.
 DRAWING IS NOT TO SCALE.

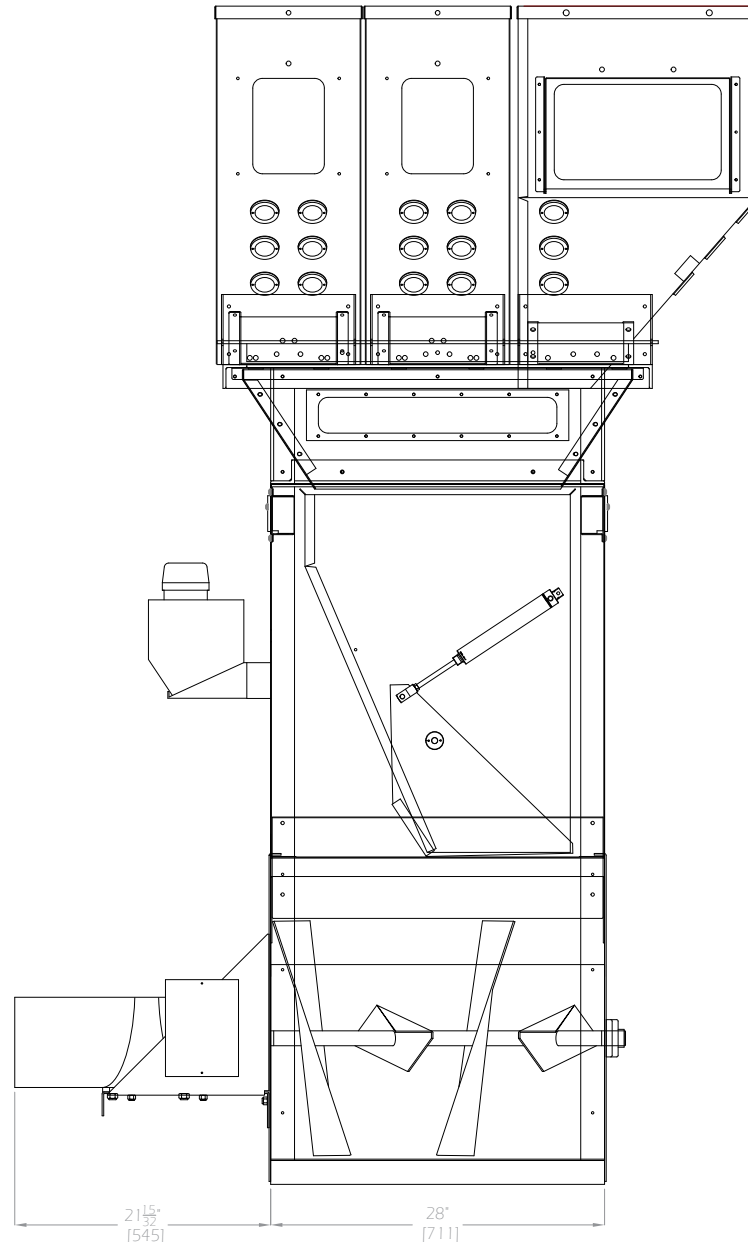
TITLE	
WSB-2460	
DRAWN	DATE
FF	08/01/2018

MAGUIRE[®]
 Intelligent Simplicity

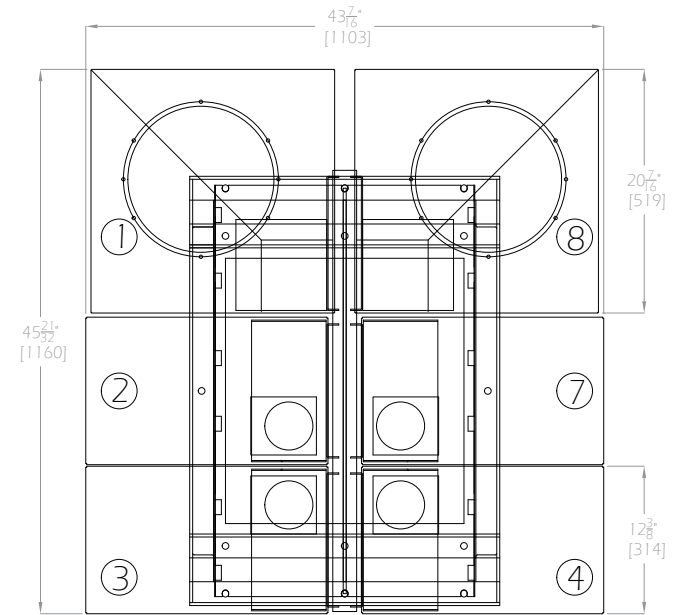
WSB 3060 FRONT VIEW



WSB 3060 SIDE VIEW



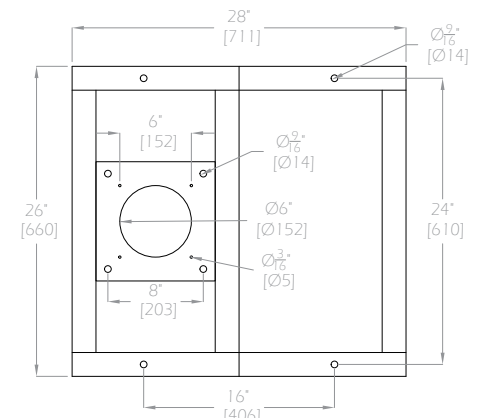
WSB-3000



WSB 3060 HOPPER-TOP VIEW

Compartments 1, 8 - 4 cu ft [112 Litres]
 Compartments 2,3,4,7 - 3 cu ft [84 Litres]

WSB-3000 Footprint



THIS DRAWING IS THE PROPERTY
 OF MAGUIRE PRODUCTS INC. AND
 MUST BE RETURNED ON REQUEST
 IT MUST NOT BE COPIED OR
 PASSED TO A THIRD PARTY.
 DRAWING IS NOT TO SCALE.

TITLE	
WSB-3060	
DRAWN	DATE
FF	08/01/2018

MAGUIRE[®]
 Intelligent Simplicity